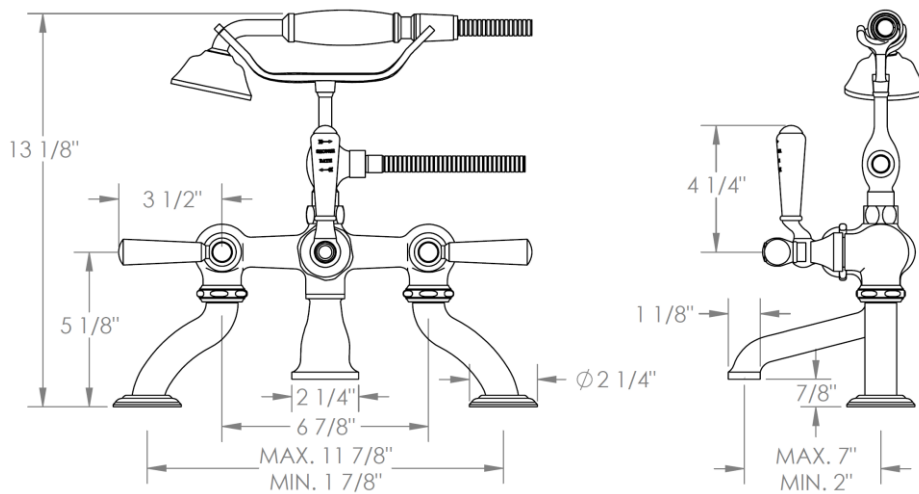


**313-8.2-**

Deck Mounted Exposed Bath Set with Hand Shower

Hand Shower Flow Rate: 1.75 GPM

Note: Some building codes may require remote pressure balance valves for anti-scald



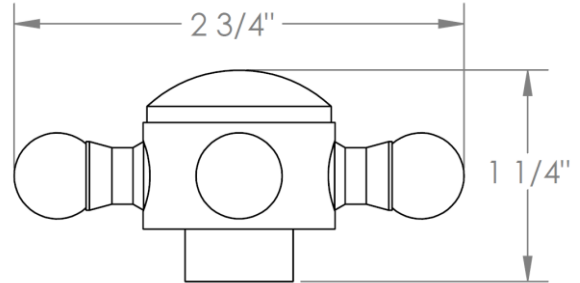
Meets the applicable requirements of ASME A112.18.1-2005/CSA B125.1-05, entitled "Plumbing Supply Fittings"

**WATERMARK DESIGNS**

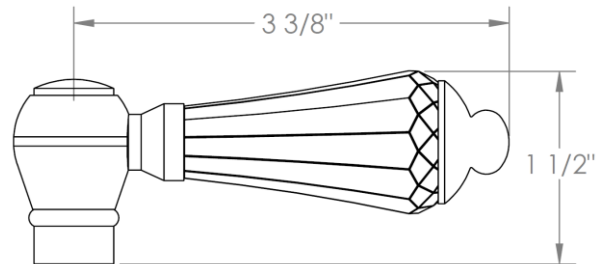
**2/7/2019**

## HANDLE TRIM OPTIONS

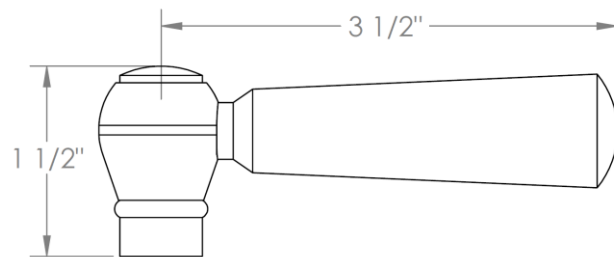
### AX – LOS ANGELES



### SW – SAN FRANCISCO



### WW – BOSTON



### Y2 – WILLIAMS

