

W3481201-2, W3481202-2, W3481249-2 - Lavatory Faucet

Description

EMORY II SINGLE CONTROL

- Replaceable cartridge
- SS Flex hoses with 3/8" compression nuts
- 50-50 Pop-up drain assembly included
- 1.2 GPM @ 60 PSI

- Optional Deck plate available: PBQ308xx

Standards

- Complies with IAPMO UPC/cUPC
- California AB1953 compliant
- NSF - 61-9 tested and compliant
- ADA Accessibility Guidelines for Buildings and Facilities - 4.27.4 Controls and Mechanisms



EPA WaterSense Certified by IAPMO R&T



Colors / Finishes

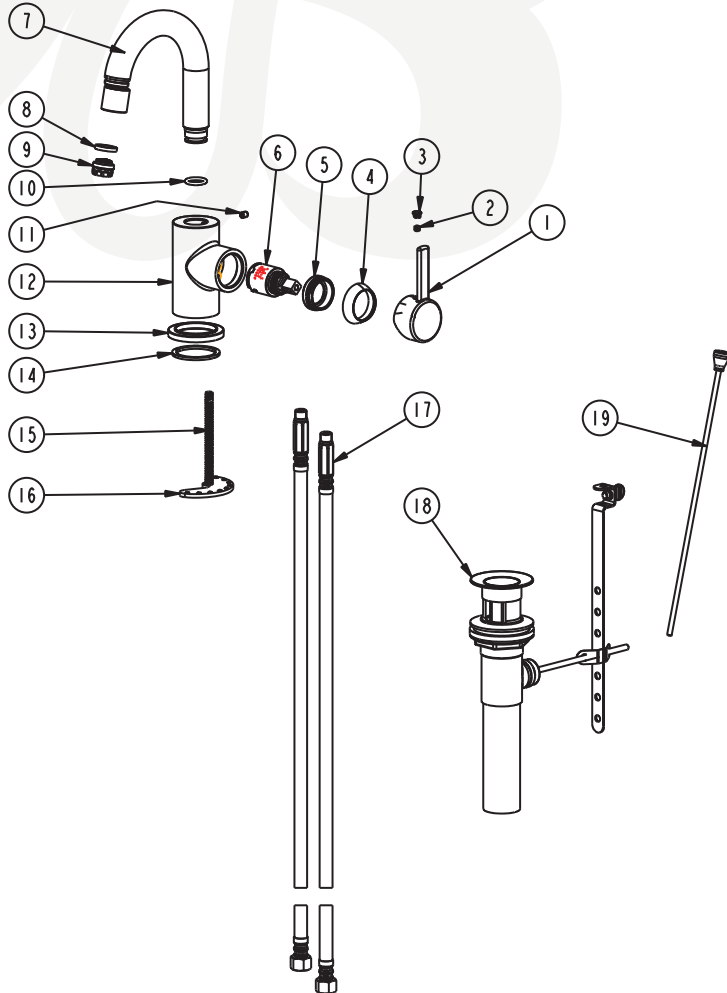
- W3481201-2** Chrome
- W3481229-2** PVD Satin Nickel
- W3481249-2** Matte Black

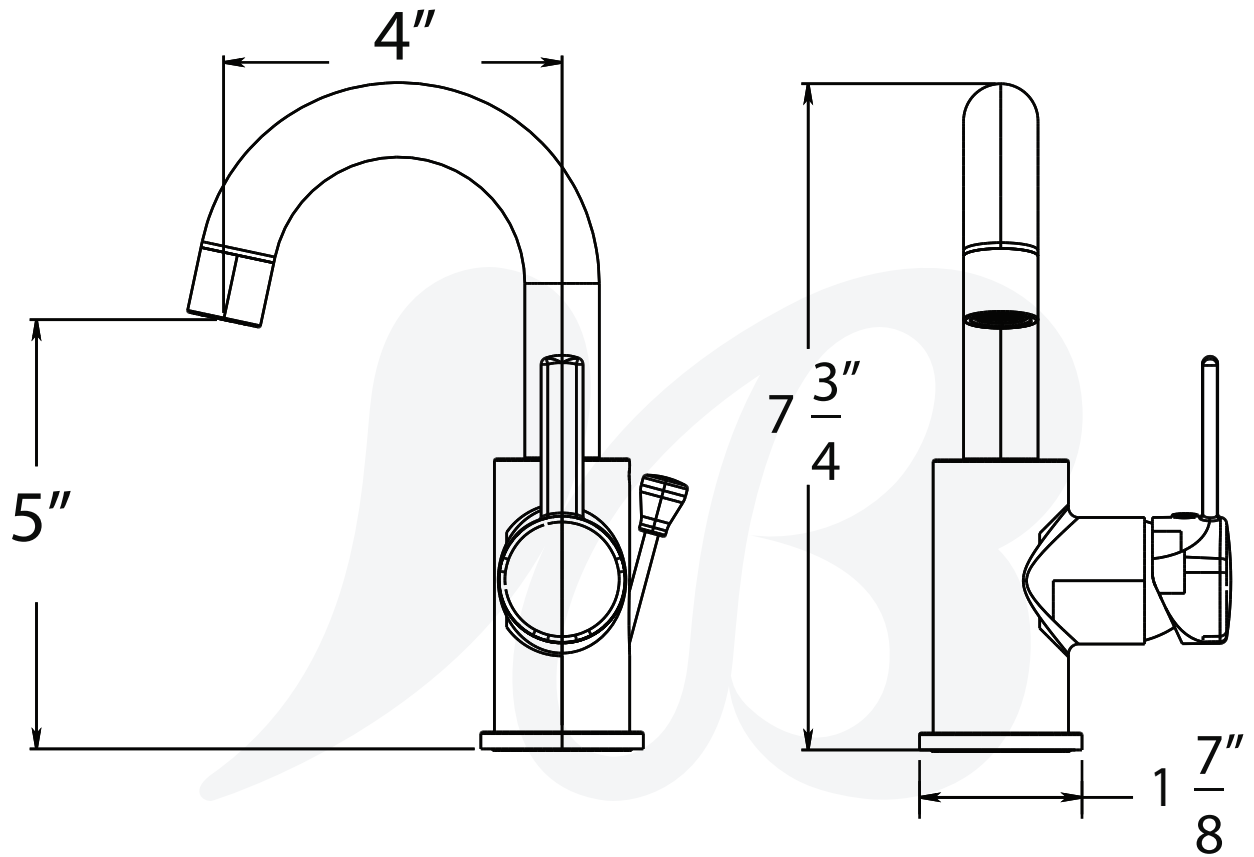


W3481201-2

BREAK DOWN

19	ATBM0025	1
18	ATAA0067	1
17	ATBP0421	2
16	CTWT0095	1
15	CTST0013	1
14	CTWR0334	1
13	CTDZ0118	1
12	CTYN0232	1
11	CTST0117	1
10	CTRR0180	1
9	ATBX0095	1
8	CTWR0139	1
7	ATBF0198	1
6	ATBA0289	1
5	CTKB0118	1
4	CTCP0330	1
3	CTCP0072	1
2	CTST0084	1
1	CTHZ0588	1
NO	PART	QTY





Item Number	Type	Date
W3481201-2, W3481202-2, W3481249-2	Lavatory Faucet	9-24-2021