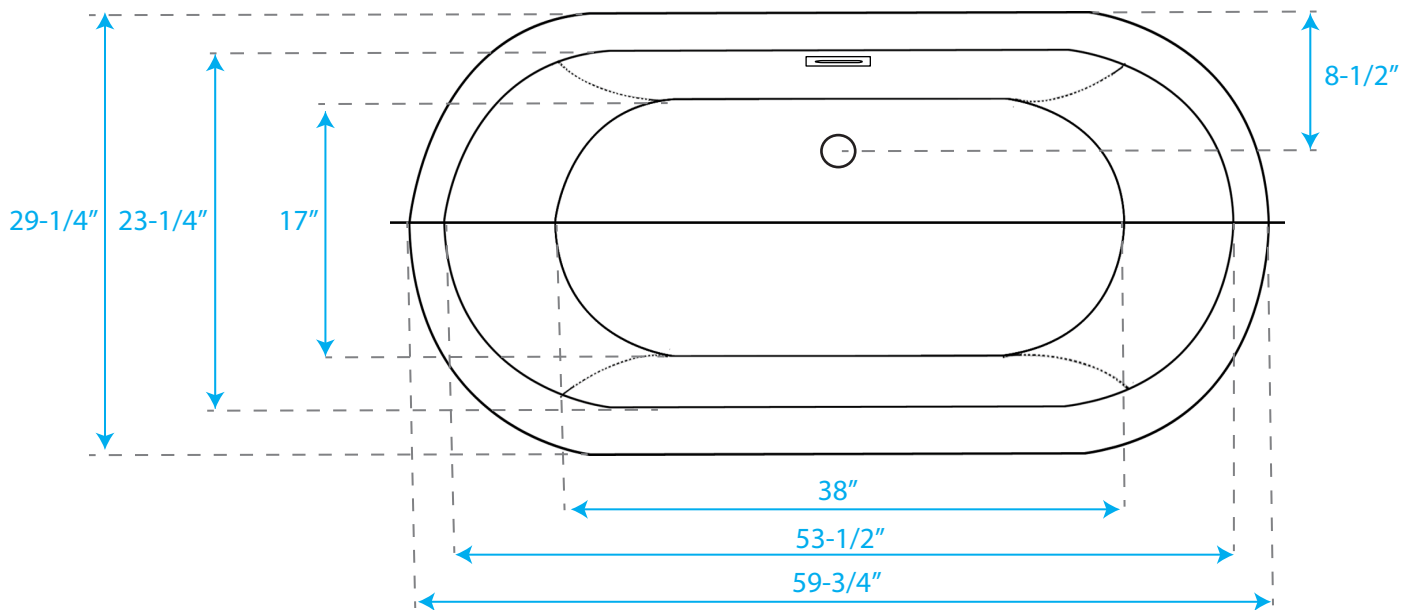
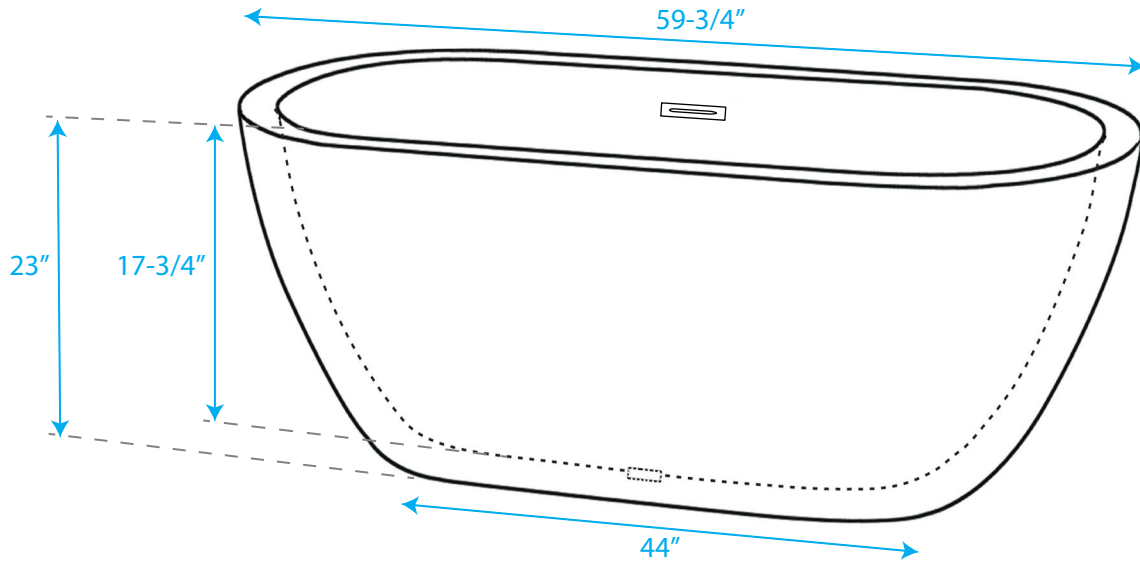


WYNDHAM COLLECTION

Exterior Size - 59-3/4"L x 29-1/4"W x 23"H
Interior Size - 53-1/2"L x 23-1/4"W x 17-3/4"H
Depth at Drain - 18"
Drain to Overflow - 12-1/2"
Maximum Fill - 43-1/2 Gallons
Note - All Measurements are $\pm 1/2$ "



WC-BTM1002-60