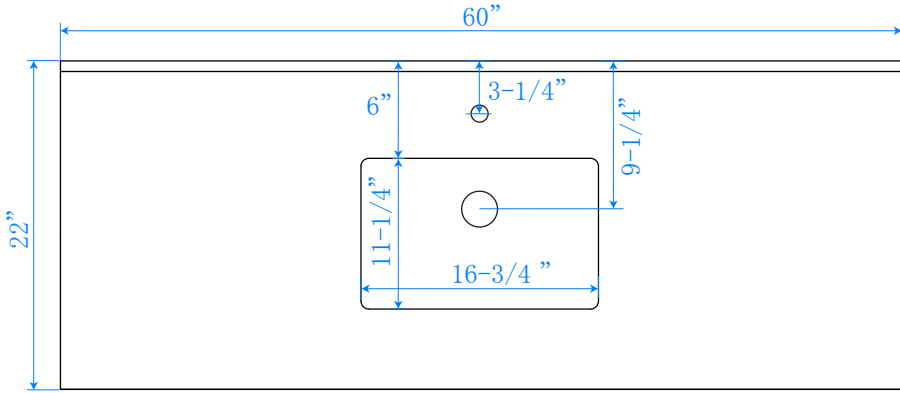
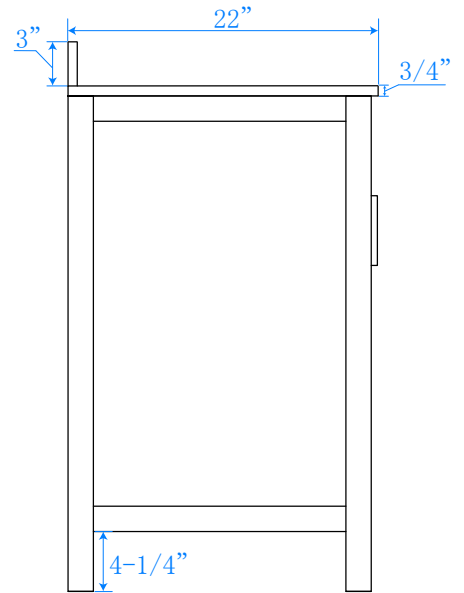
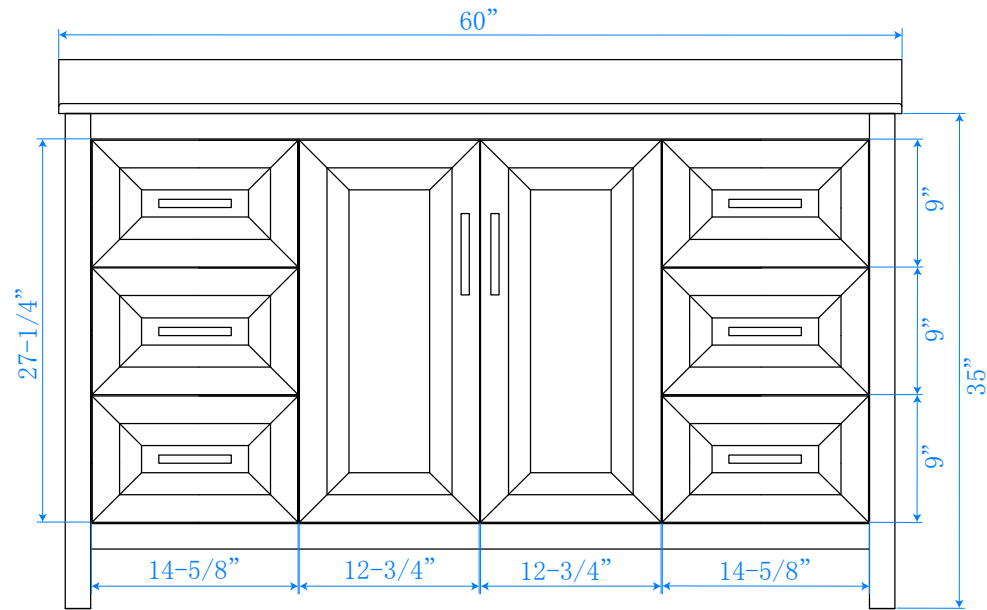
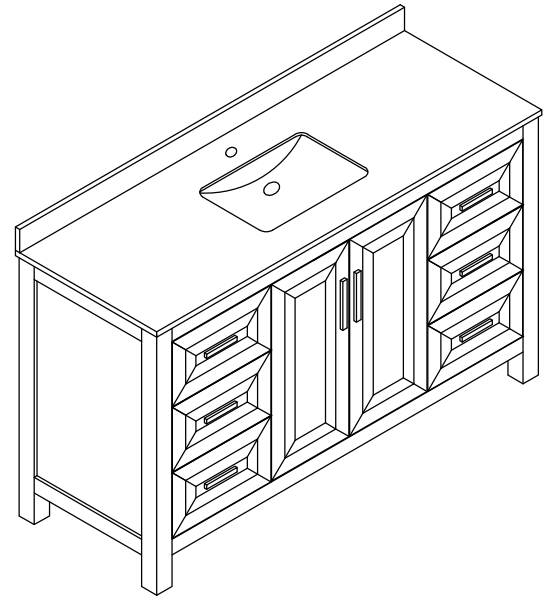
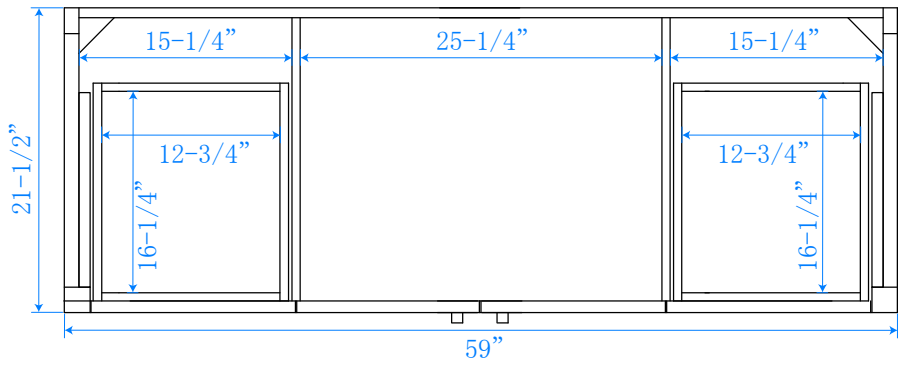


# WYNDHAM COLLECTION



TOP VIEW OF VANITY CABINET



\*Note: Due to high probability of breakage-the backsplash comes in two pieces-cut from same piece. All measurements are  $\pm 1/4"$

WC-2525-60-SGL