



C2 CONSOLE INSTALLATION GUIDE

S T Y L E

BEFORE YOU BEGIN

Thank you for choosing from WETSTYLE's line of quality products.

Please note that prior to shipment from the manufacturing facility, the furniture you have received has passed quality control and was in excellent condition upon leaving the WETSTYLE facility.

We recommend that you carefully inspect the product prior to its installation. If there are any defects, please contact the dealer from whom you purchased the product and please DO NOT install the furniture. WETSTYLE will not be held responsible for any defects or damage discovered once the furniture is installed.

It is highly recommended that a professional undertake the installation of the vanity.

Please read this guide carefully to ensure the proper installation and reliability of your product for many years to come.

For assistance, please call customer service at 1.888.536.9001.

WARNING!

To reduce the risk injury to persons, please read these instructions thoroughly before using this product.

Important Safety Instructions must be kept for future use.

TOOLS AND EQUIPMENT

- Drill and bits
- Measuring tape
- Protective paper
- 3" long #10 Wood Screws
- Pencil
- Level
- Protective eyeglasses

IMPORTANT

This installation might require custom placement of studs relative to the position of the product in the room. Please read the instructions related to your cabinet model carefully.

Console

The C2 Console needs to be secured to the wall. For installation, special wall preparation is needed prior to installation of the unit.

A. WALL PREPERATION FOR CONSOLE AND WALL-MOUNTED DRAWER

Wall Preparation Steps

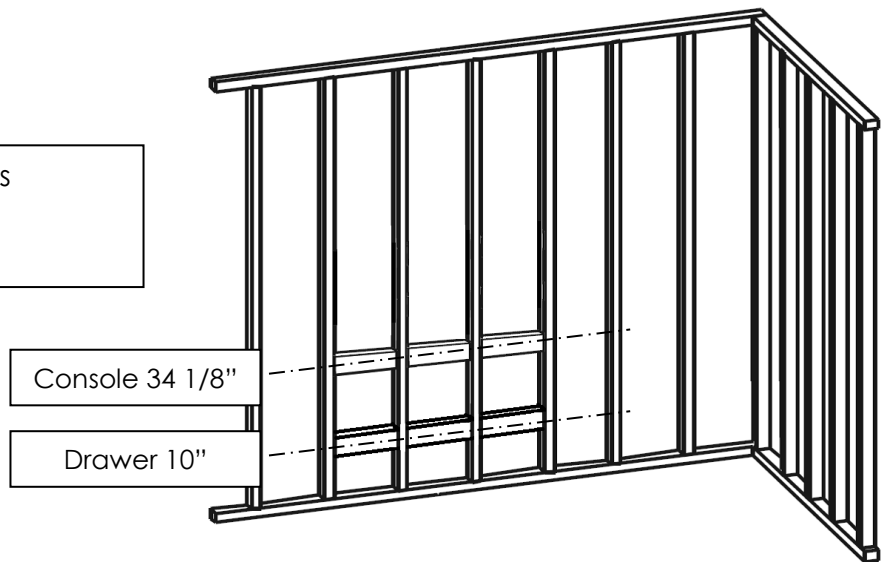
- 1.1 Make sure that walls and floor are straight and level.
- 1.2 Determine overall vanity dimensions.
- 1.3 Determine the desired location of the console.
- 1.4 The distance between studs should not be more than 16".
- 1.5 Metal studs should be reinforced vertically by 2" x 4" wooden studs.
- 1.6 Metal and wooden studs should be reinforced horizontally with 2" x 6" wooden studs at anchoring heights:
 - 34 1/8" along the full width of the console
 - 10" along the full width of the drawer
- 1.7 Do not apply the product to the wall surface until all braces and mounting clips have been installed and all plumbing has been completed.

Wall Anchoring Height:

*Heights are to center of studs

Console: 34 1/8"

Drawer: 10"



CONSOLE PREPARATION

Prior to installation,

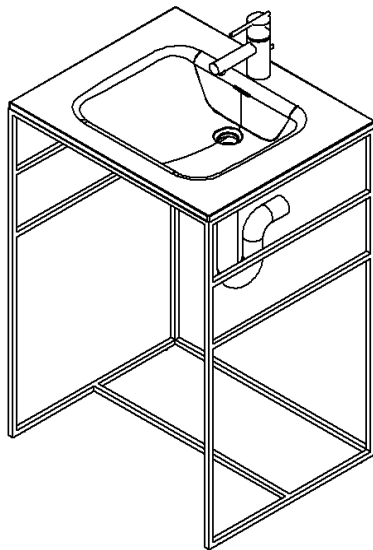
PLUMBING

The pipes should be positioned at an approximate height of 26" or within the open area depicted below.

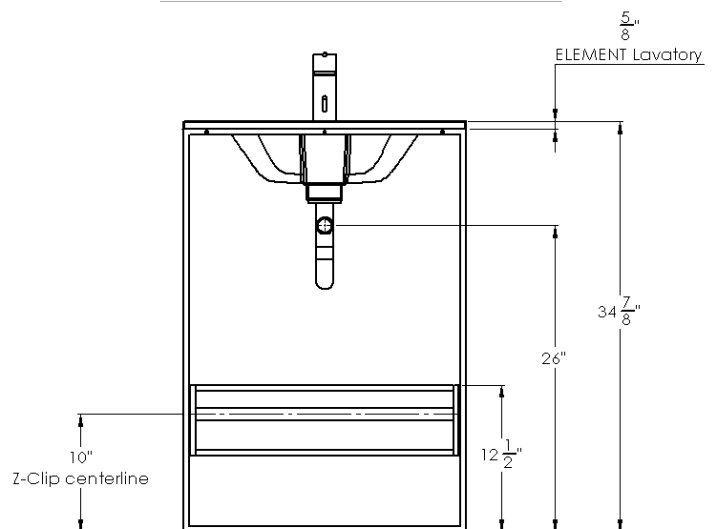
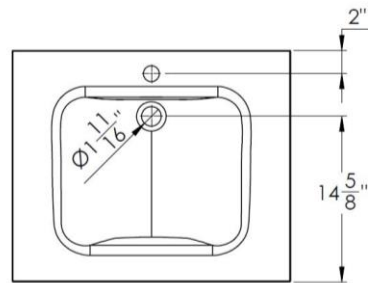
IMPORTANT

Please be advised that the C2 COLLECTION was designed to receive WETSTYLE sink and countertop style sinks as noted in the WETSTYLE price list and catalogue. The manufacturer does not take responsibility for the use of third party sink or countertops in conjunction with the C2 Console.

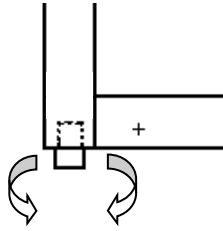
CAUTION: HANDLE WITH CARE



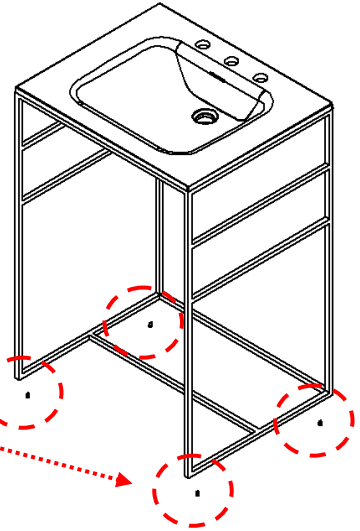
C2 Console
24" length model shown
(30" also available)



1. Install Levelers found with supplied Hardware Bag.
2. Align and level the C2 Console according to horizontally reinforced studs and desired Console height.

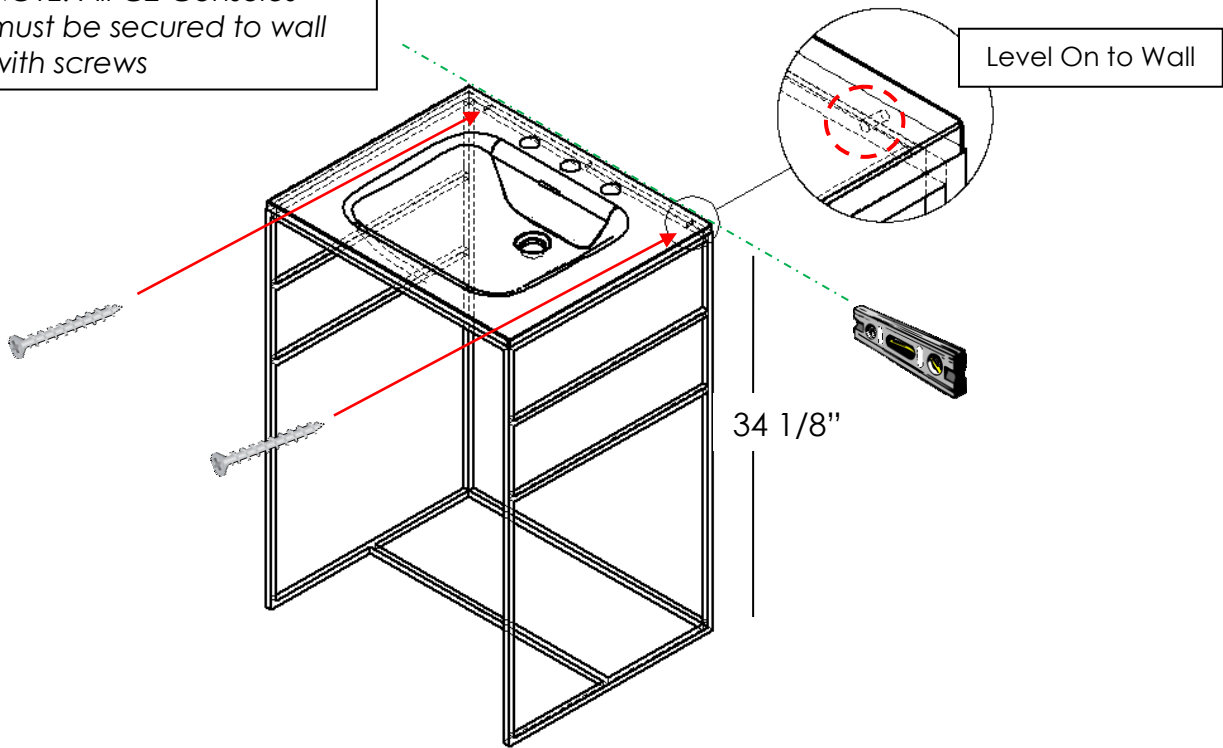


Screw levelers into designated locations



3. Screw through guide holes along back width of the console.
4. Secure to wall using provided 3" long #10 wood screws.

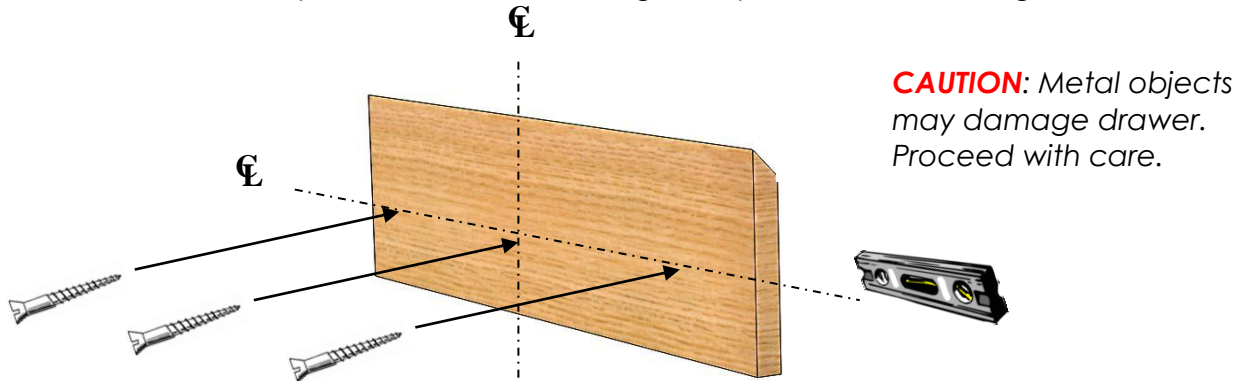
NOTE: All C2 Consoles must be secured to wall with screws



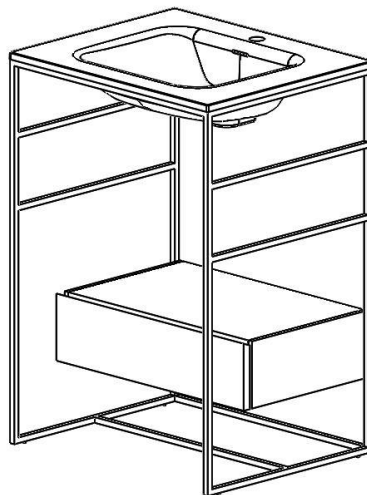
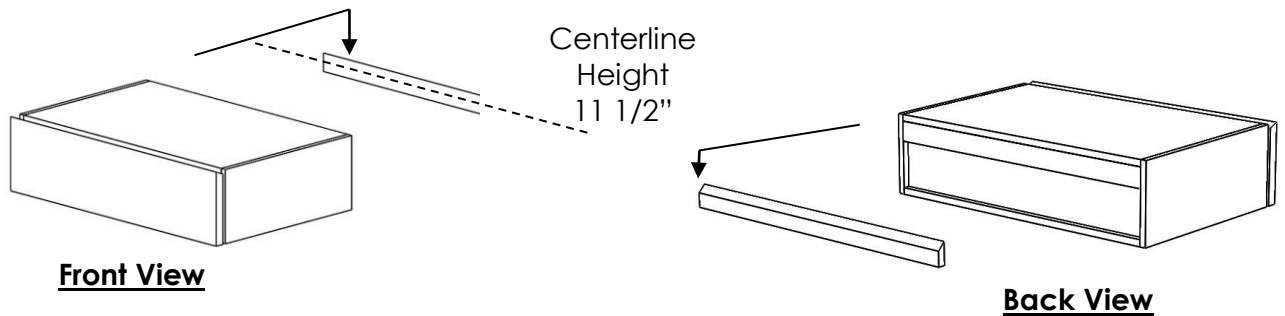
C2 Console – Perspective View

Wall-Mounted Wooden Drawer

1. Remove lower Z clip at back of drawer. Align Z Clip to wall at 11" using a level.



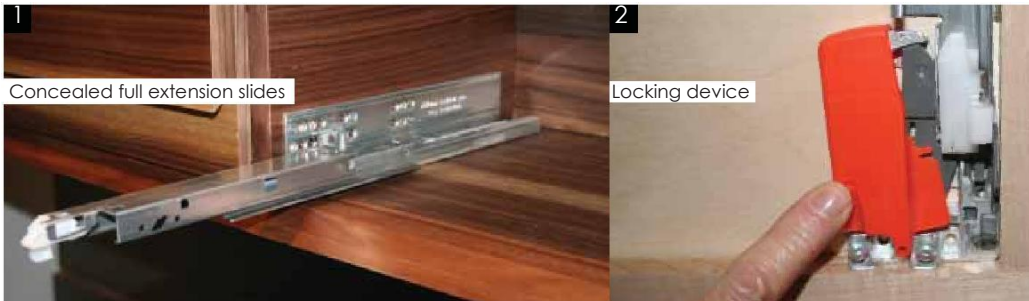
2. Install to the wall using 3" long #10 flat head wood screws. Fasten securely.
3. Mount unit using pre-attached Z Clip by rising slightly above, pushing against the wall and lowering until the unit is flush and self-supporting.



Deco Vanity with Shelf

DRAWER INSTALLATION

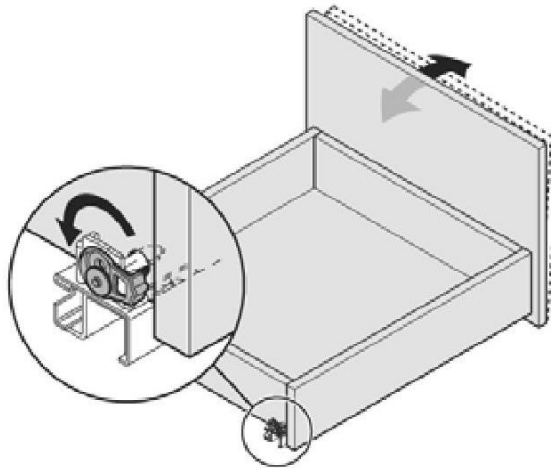
1. Clean the slides and make sure there is no dust that could interfere with the BLUM slow-closing system.
2. Pull the drawer slides out to full extension. REFER TO IMAGE #1
3. Align the drawer onto the drawer slides.
4. Firmly hold the drawer open with one hand so that it remains fully extended.
5. Slide each clip tab toward the front of the drawer until it clicks into place. REFER TO IMAGE #2
6. Close the drawer



VANITY DRAWER ADJUSTMENT

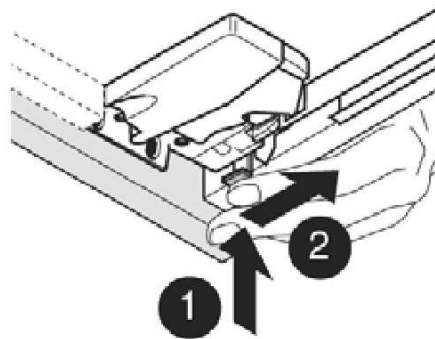
1. Tilt adjustment

Using the TANDEM front tilt adjustment in the TANDEM plus full extension, precise alignment between the drawer front & carcass is ensured. This is a quick & easy procedure, requiring no tools.



2. Height adjustment

Height adjustment is just as easy. The height can be adjusted up to 3mm without the need for tools. This provides a simple and precise way to adjust the front spacing on your furniture.



CLEANING GUIDE

WETSTYLE «C2 VANITY» FURNITURE is made from Powder Coated Stainless Steel.

WETSTYLE Furniture is ultra-easy to clean: after each use, simply wipe with a soft cloth to remove any surface dirt. For standard cleaning, we recommend using warm water with mild soap. Do not use abrasive products or cream cleaners. Never use petroleum-based products when cleaning the vanity, i.e. paint thinners or other solvents, as they may damage the surface.

WARRANTY

The warranty on WETSTYLE products covers all defects in materials and manufacturing for a period of one year from the date on which the owner originally purchased the product directly from WETSTYLE or from an authorized retailer. This warranty is valid for the original owner only. This warranty does not apply to cases in which a product was incorrectly installed, or to damage due to negligence, misuse, cigarettes, flames, natural disasters or other accidents.

WETSTYLE is not responsible for any fees or recovery charges that may have been generated by the purchase of a product that is not adequate for an existing building structure.

At the discretion of the manufacturer, the guarantee is limited to the repair or replacement (of a product of equal or greater value) at the condition that the claim is made during the guarantee period to an authorized dealer or directly to WETSTYLE. The handling fees and all other charges related to the product replacement are not covered by the guarantee.

Printed in Canada



www.WETSTYLE.CA – Montreal – Canada
Tel. 450.536.9000 – 1.888.536.9001 – Fax. 450.536.0202