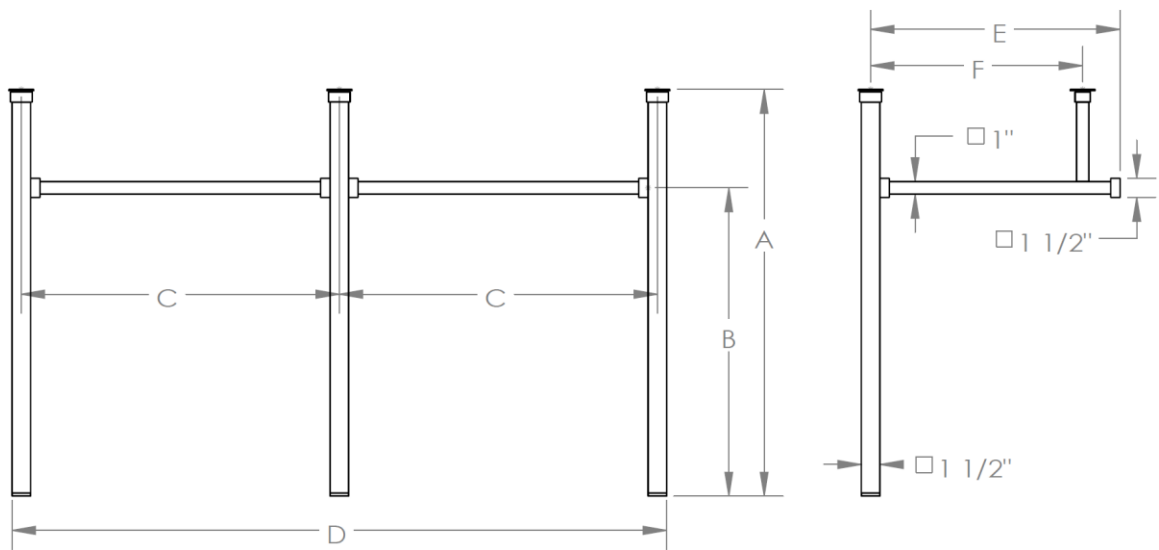


**CON\_\_-SQST**

Double Console Legs - Square  
Stone/ Marble/ Glass/ Wood Top



Model No.	A	B	C	D	E	F
CON60-SQST	32 1/4"	24 5/8"	25 1/2"	53 3/4"	20"	17 1/8"
CON72-SQST	32 1/4"	24 5/8"	31 1/2"	65 3/4"	20"	17 1/8"



**WATERMARK DESIGNS 2/13/2019**