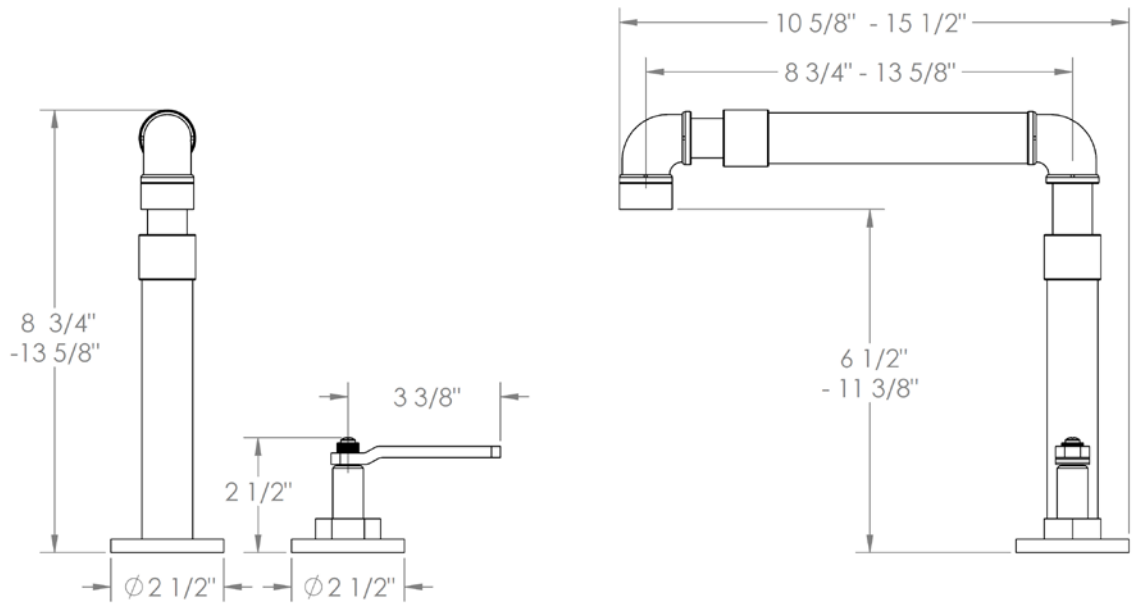


**38-7.1.3**

Deck Mounted 2 Hole Telescopic Kitchen Set  
Flow Rate: 1.75 GPM



Meets the applicable requirements of ASME A112.18.1-2005/CSA B125.1-05, entitled "Plumbing Supply Fittings"

**WATERMARK DESIGNS 7/12/2018**