

**23-EX3500**

Wall Mounted ½" Exposed Thermostatic Shower System  
Includes SH-TIT50 Shower Head and SH-TIT30 Hand Shower  
Flow Rate: 1.75 GPM



Meets the applicable requirements of ASME A112.18.1-2005/CSA B125.1-05, entitled "Plumbing Supply Fittings"

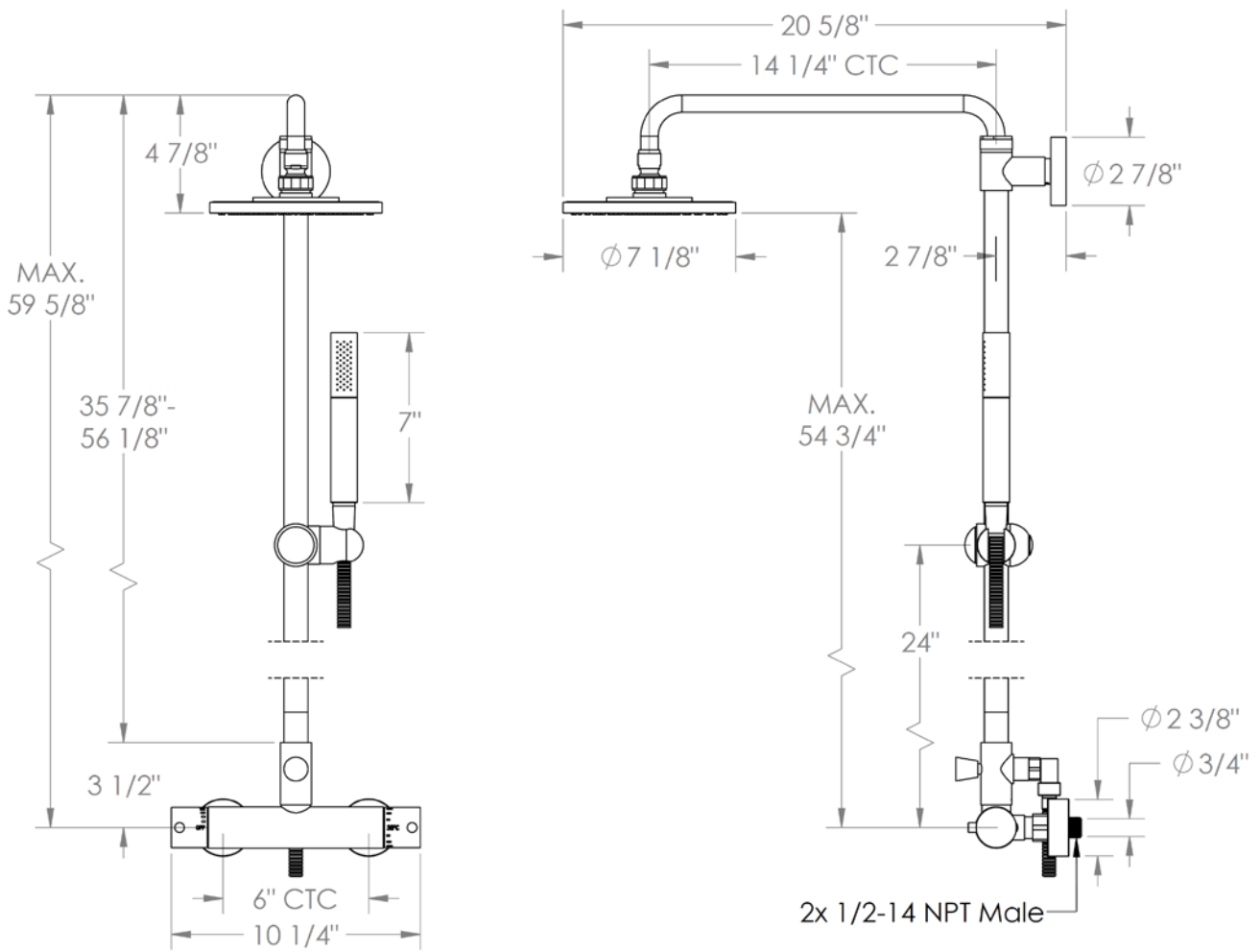
**WATERMARK** DESIGNS

**6/26/2018**

350 Dewitt Ave Brooklyn NY 11207 USA T 718 257 2800 F 718 257 2144 info@watermark-designs.com

**23-EX3500**

Wall Mounted 1/2" Exposed Thermostatic Shower System  
Includes SH-TIT50 Shower Head and SH-TIT30 Hand Shower  
Flow Rate: 1.75 GPM



Meets the applicable requirements of ASME A112.18.1-2005/CSA B125.1-05, entitled "Plumbing Supply Fittings"