

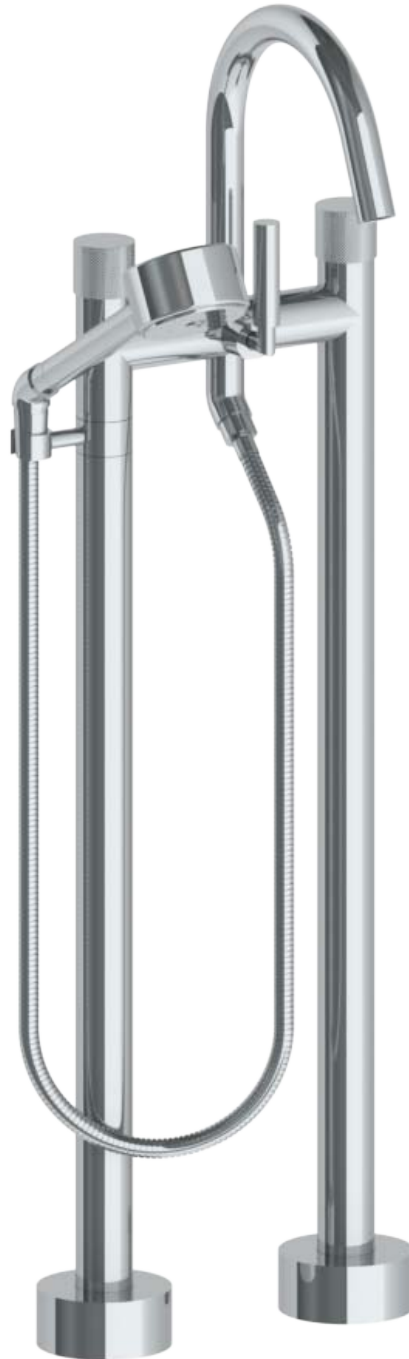
22-8.3V-TIA

Floor Standing Bath Set with Volume Hand Shower

For use with SS-FL8.3 floor mount rough

Hand Shower Flow Rate: 1.75 GPM

Note: Some building codes require remote pressure balance valves for anti-scald



Meets the applicable requirements of ASME A112.18.1-2005/CSA B125.1-05, entitled "Plumbing Supply Fittings"

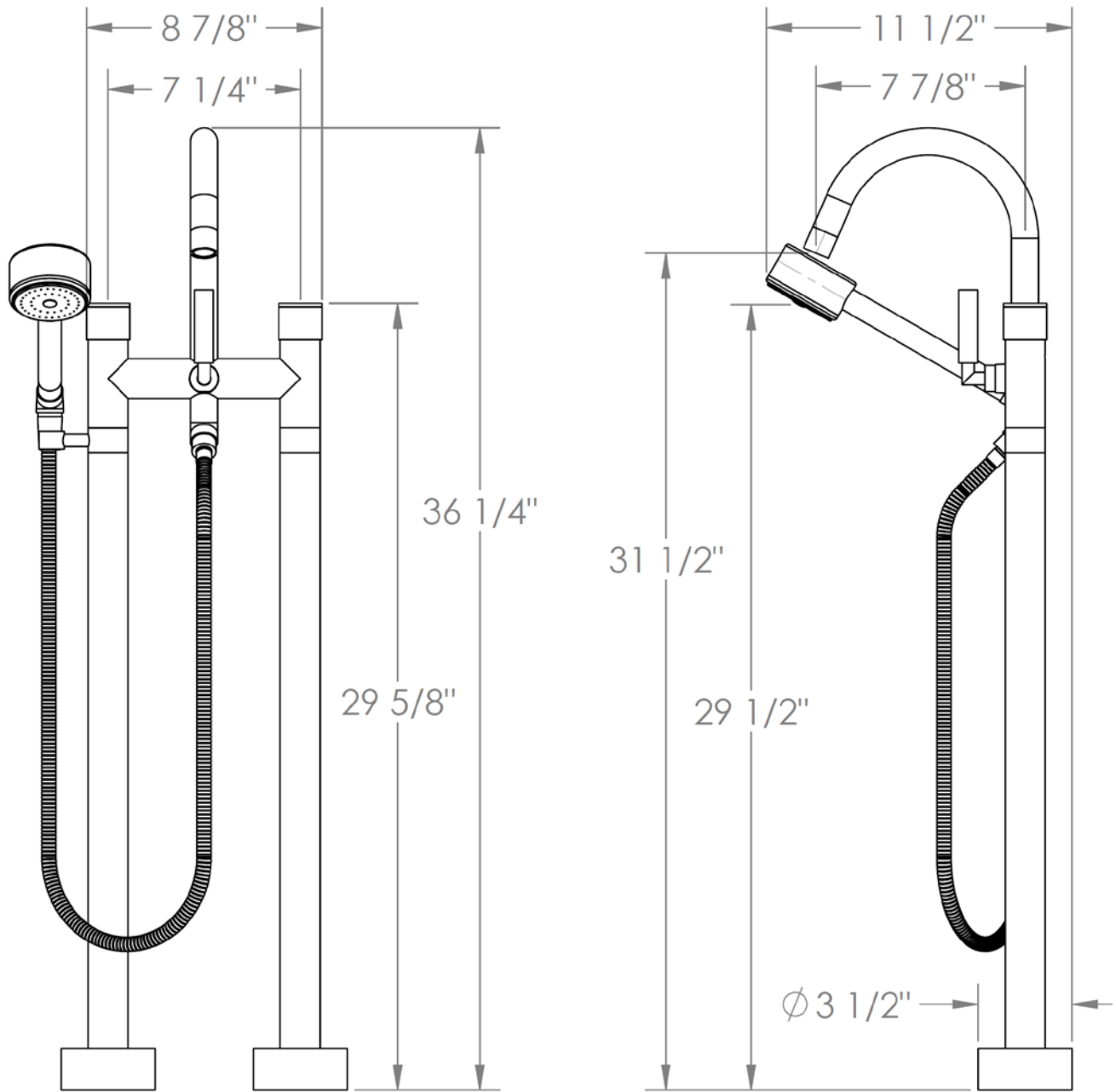
22-8.3V-TIA

Floor Standing Bath Set with Volume Hand Shower

For use with SS-FL8.3 floor mount rough

Hand Shower Flow Rate: 1.75 GPM

Note: Some building codes require remote pressure balance valves for anti-scald



Meets the applicable requirements of ASME A112.18.1-2005/CSA B125.1-05, entitled "Plumbing Supply Fittings"