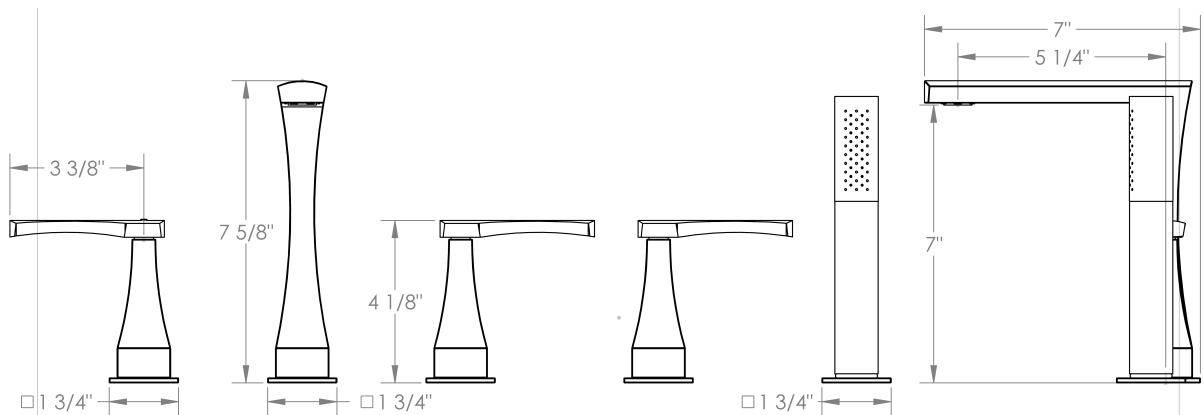


125-8.1-BG4

Deck Mounted 5 Hole Bath Set
Handshower Flow Rate: 1.75 GPM

Note: Some building codes may require a remote pressure balance valve, such as the SS-PB50.



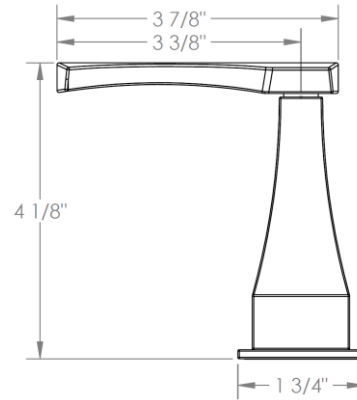
Meets the applicable requirements of ASME A112.18.1-2005/CSA B125.1-05, entitled "Plumbing Supply Fittings"

WATERMARK DESIGNS 1/30/2018

350 Dewitt Ave Brooklyn NY 11207 USA T 718 257 2800 F 718 257 2144 info@watermark-designs.com

Chelsea Handle Trim Options

BG4 – JOYCE



BG5 – MARKET

