

Installation Instructions

for Deck Mounted Kitchen Bridge Faucets



The 23-7.5-L8 will be used as an example in this manual.
Applicable for all 7.5, 7.5G, 7.5EG models.

IMPORTANT INFORMATION

Thank you for choosing Watermark! We appreciate your commitment to Watermark quality products. Before you install the product, please fully review these installation instructions.

Before installation, unpack the product and inspect it for any damage. Make sure all the parts are present. If not installing immediately, place the product back into its protective packaging.

The appearance of the product may be different than what is shown in this installation manual, but the installation procedure will be the same.

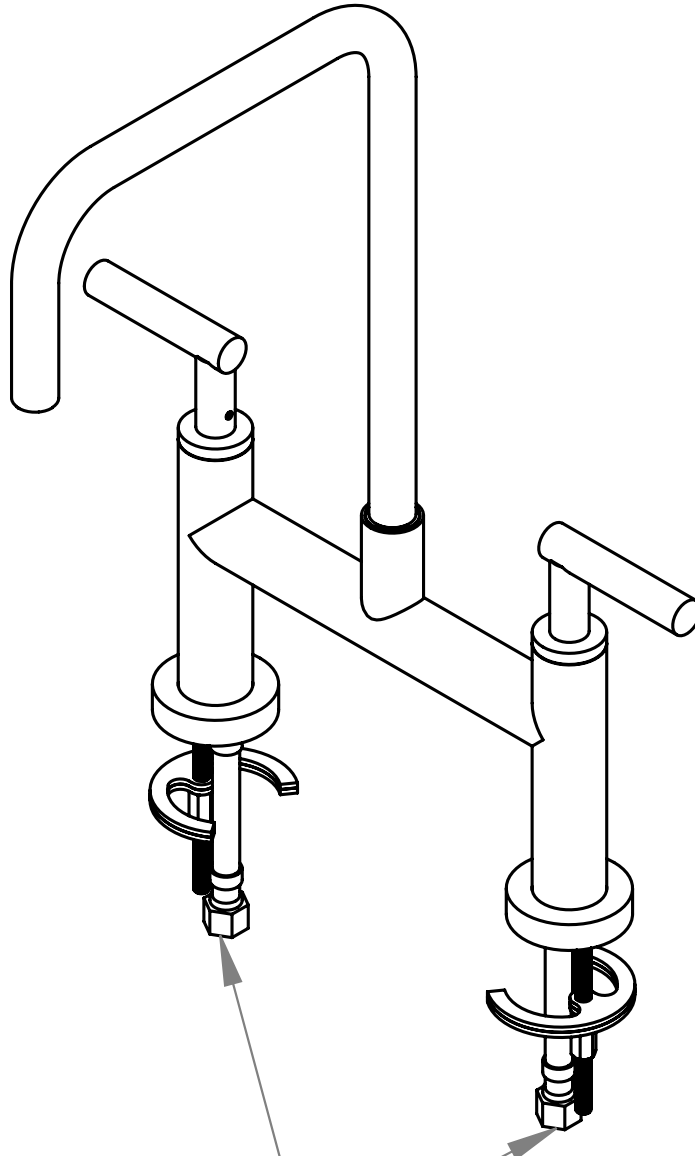
Installation considerations:

- Professional installation by a licensed plumber is strongly recommended.
- Product should be installed according to local codes and regulations.
- When installing:
 - Use Teflon tape or pipe sealant for threaded connections.
 - DO NOT use plumber's putty on any brass components. This may cause the finish to tarnish and void the warranty. Alkoxy silicone is recommended instead.
 - Flush the lines before and after installation (if applicable).
 - If the lines are sweated, do not overheat casting, which may damage mechanisms.
- Copper adaptors may be required to complete installation.

If you encounter any issues, please contact our technical support team at the number listed at the bottom of this page or email us at: technical@watermark-designs.com

PARTS BREAKDOWN

Bridge Faucet Assembly



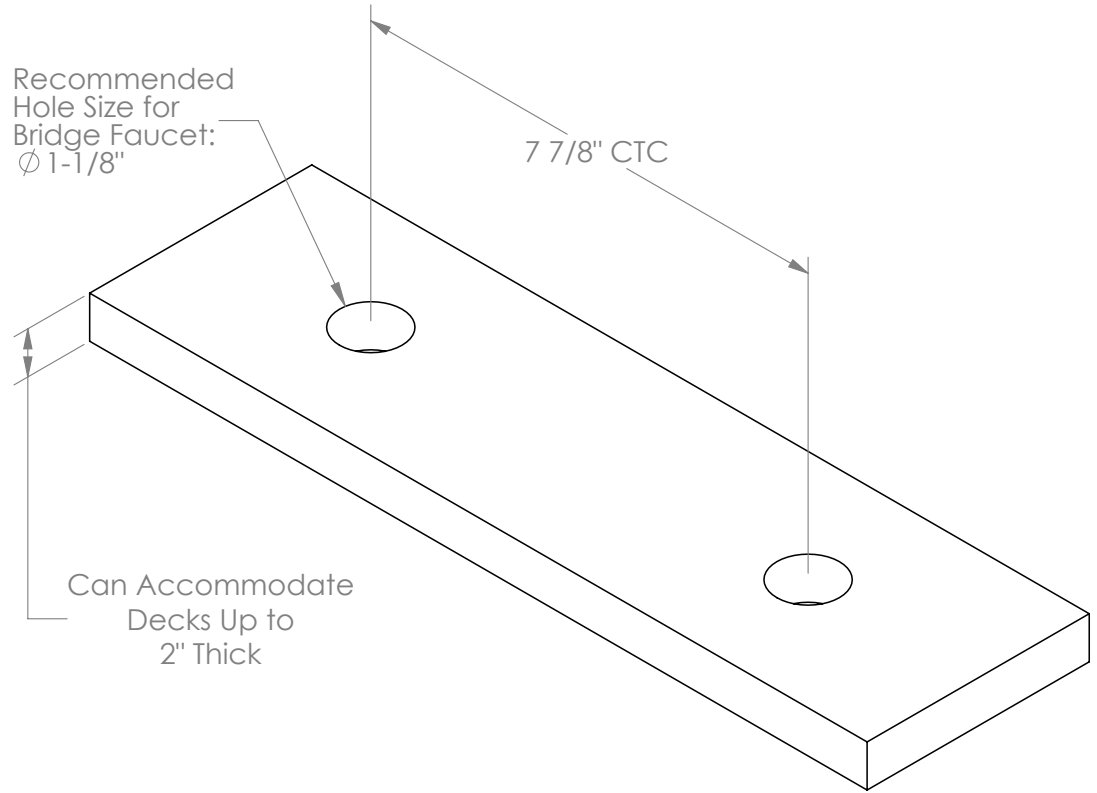
2x 3/8"
COMPRESSION
FEMALE

You will need:
- 1x Wrench

1. Prepare the mounting surface

Make 2 holes following the requirements shown on the drawing.

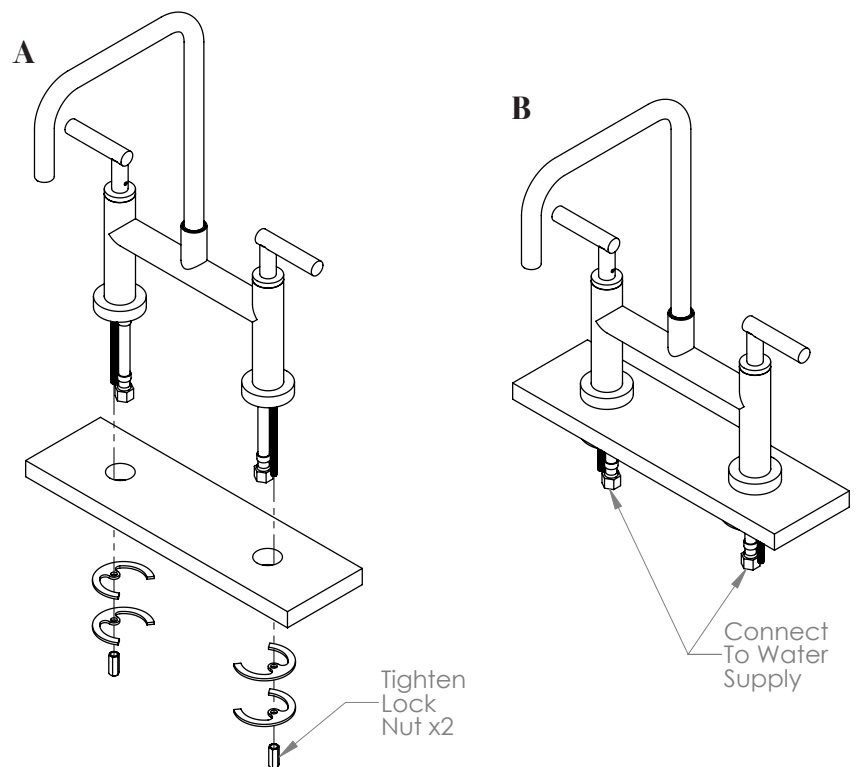
The two holes for the bridge faucet must be 7-7/8" apart.



2. Install the faucet and connect supply

[A] Insert the bridge faucet into the holes. Add the metal washers and brass nuts to the nipples underneath the mounting surface. Tighten the lock nuts to secure the faucet to the deck.

[B] Connect the ends to the hoses to the water supplies (sold separately).



NOTE: Hose length shown is not to scale