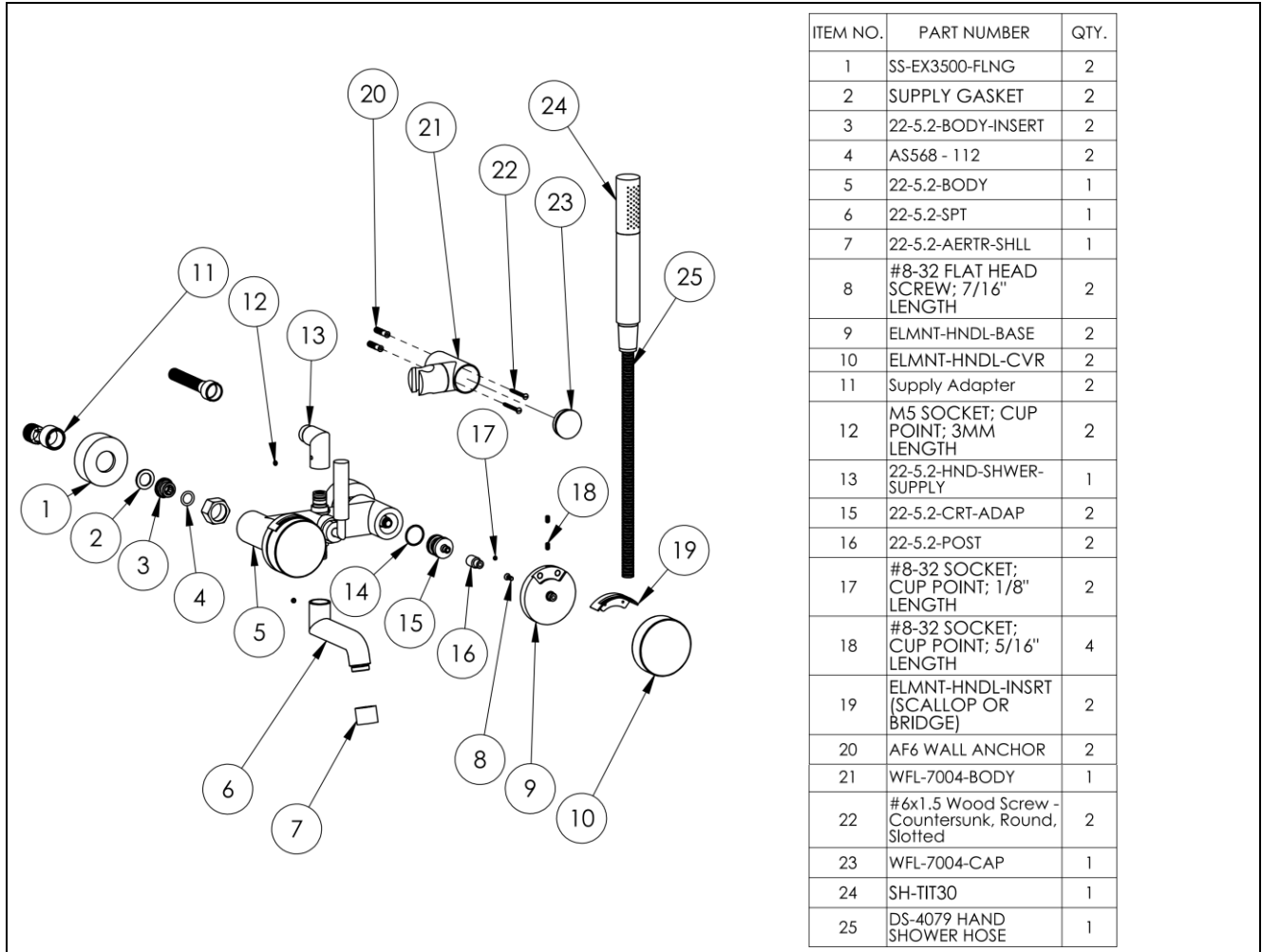


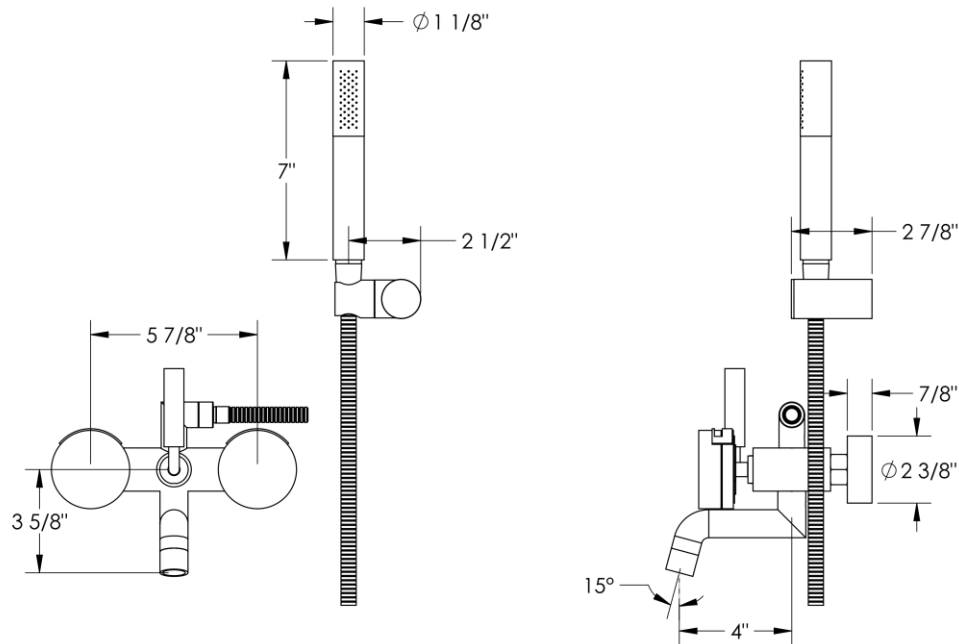
FEATURES

- ¼ Turn ceramic disc cartridges
- Hand Shower Flow Rate: 2.0 gpm at 45psi
- Solid Brass Construction
- Warranty:
 - Limited lifetime warranty (residential use)
 - One year (commercial use)
- Some systems may require a remote pressure balance valve

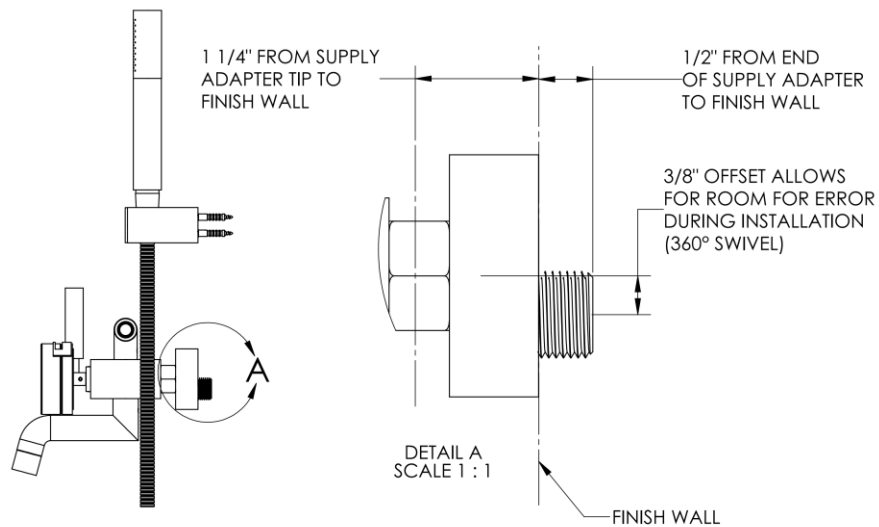


1. **Carefully remove all parts from the box.**
2. Assemble wall flange (1) with the tub filler body (5) and supply adapter (11)
3. If necessary attach tub filler aerator shell (7) to the tub filler spout (6) and then to the tub filler body (5) via set screw (12)
4. If necessary attach hand shower supply (13) to tub filler body (5) via set screw (12)
5. Screw hand shower hose (25) onto hand shower (24) and hand shower supply (13)
6. Install wall flange (21) to the wall
7. Screw ½" NPT female to sweat adapter onto supply adapter (11)
 - a. **Note: ½" NPT female to sweat adapter might not be included**
8. Sweat lines to sweat adapter

Dimensions:



Supply Adapter Specs:



IMPORTANT INSTALLATION INFORMATION

- USE TEFLON TAPE OR PIPE SEALANT FOR THREADED CONNECTIONS
- DO NOT USE PLUMBER'S PUTTY ON ANY OF THE BRASS COMPONENTS
This will cause the finish to tarnish and void the warranty. A non-corrosive Alkoxy Silicone is recommended.
- DURING SWEATING OF LINES DO NOT OVERHEAT CASTING
Overheating may cause damage to internal mechanism
- COPPER ADAPTORS MAY BE REQUIRED TO COMPLETE YOUR INSTALLATION

For technical support, please call 718-257-2800

WATERMARK

Recommendation for Maintenance of Liquid Metal Surfaces

OIL SLICK / OX BLOOD

All Liquid Metal coatings regardless of finish must be handled wearing nitrile gloves to prevent tarnishing. No chemical products or products which contain adhesives should be used on our finishes without prior consent from Watermark Designs.

The most popular treatment which we recommend is a coating of Beeswax which our finishing operatives apply to all of our finished items unless otherwise requested by customers. This helps to prevent oxidation and enhances the finish without detracting from the character of the metal and protects the surface from miscellaneous light markings, the most common being finger marks.

The Beeswax will assist, to a great degree, in preventing the oxidation and tarnishing of the true metal. It does not completely eliminate oxidation; therefore it must be periodically maintained. Please refrain from using bleach or other harsh cleaning products on our finish as this will damage the finish.

We recommend that the surface is treated regularly with an application of Beeswax and re-polishing with a clean lint free cloth. The frequency of application depends on the amount of use, normally once a week to once a month.

If water is allowed to stand on a Beeswax surface for any length of time, this will penetrate the wax coating leading to advanced oxidization. Spillages should be cleaned up immediately.