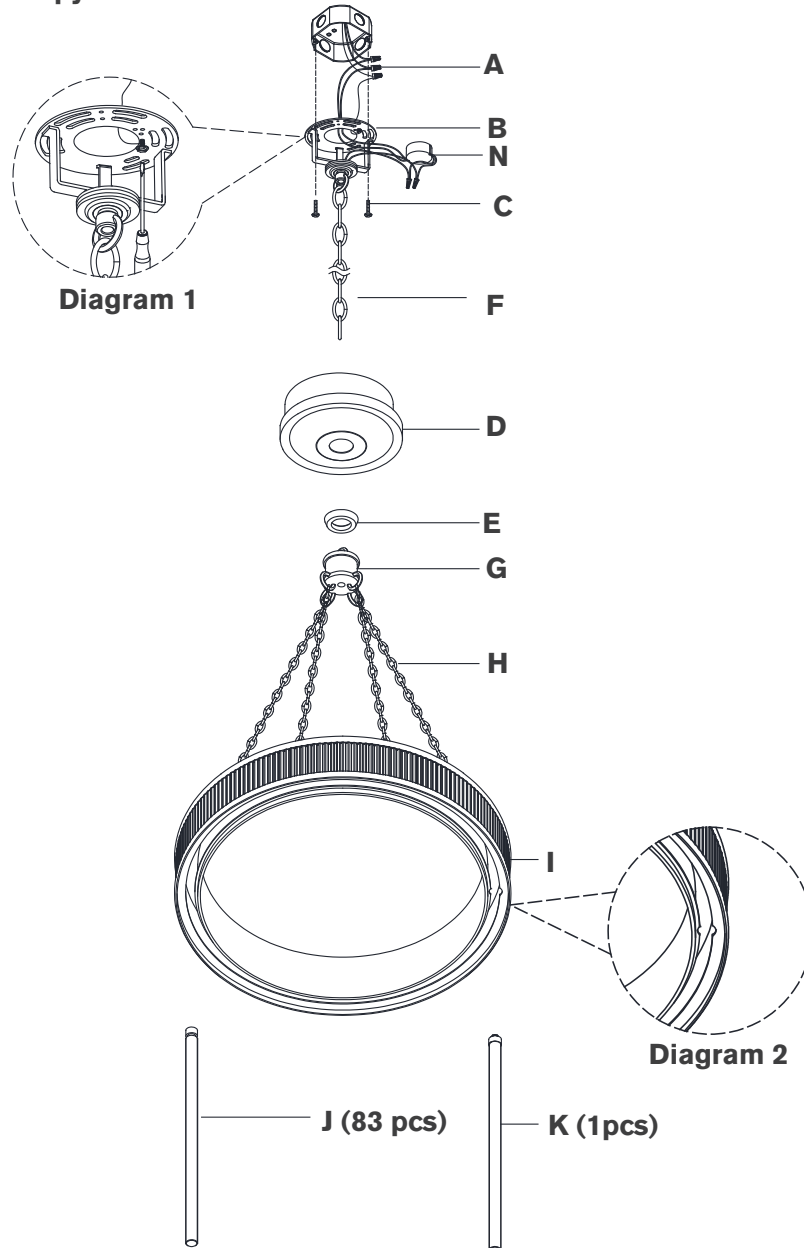


ASSEMBLY INSTRUCTIONS

Option 1: Canopy Mounted Driver



Menil Medium Chandelier

Item # S5171

NOTICE:

This light fixture should be installed in accordance with all applicable, local installation codes, and by a person familiar with the construction and operation of it, as well as the hazards involved. Inspect item and contents carefully. If any damage or defect is found, do not install. Retain all packaging material until installation is complete and approved.

TOOLS REQUIRED (NOT INCLUDED):

Phillips Screwdriver

Slotted Screwdriver

Chain Pliers

Slip Joint Pliers

Measuring Tape

Wire Cutters

Wire Strippers

1. Carefully remove all parts from the box. Place on a clean, soft surface.
2. Determine desired overall length, and amount of chain (**F**) needed. Shorten chain (**F**) using chain pliers (Keep extra chain).
3. Install mounting plate (**B**) to junction box and secure with mounting screws (**C**).
4. Add canopy (**D**) and collar ring (**E**) to chain (**F**) carefully.
5. Install canopy (**D**) to mounting plate (**B**) and secure with collar ring (**E**).
6. Attach chains (**H**) to hooks on bottom of fixture loop (**G**), then attach fixture loop (**G**) to chain (**F**).
7. Thread fixture wire and ground wire through chain (**F**).

NOTE: When you reach the collar loop, ensure there is no tension on the wires. Cut excess wires, being sure to leave enough to reach the junction box.

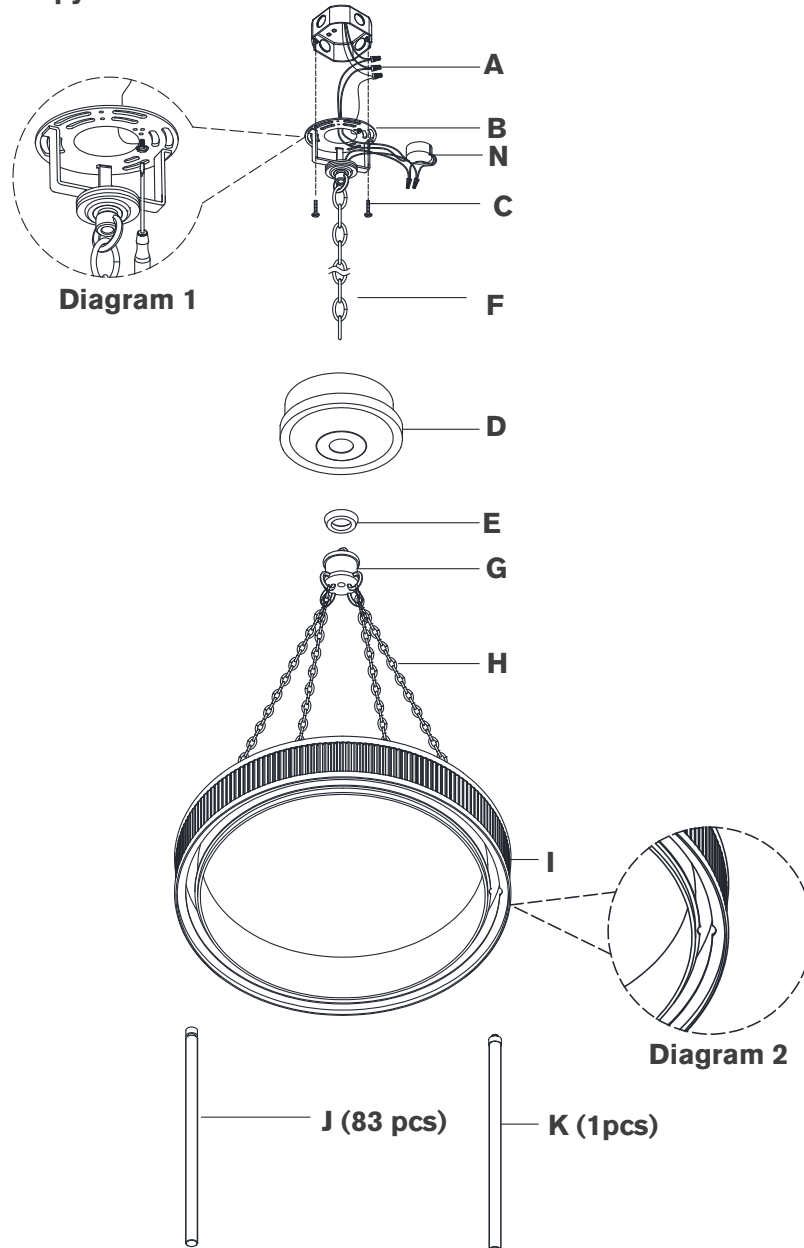
8. Separate two sides of molded wire, and strip insulation on each 5/8".
9. Loosen collar ring (**E**) and let canopy (**D**) slip down chain (**F**) carefully.
10. Twist all fixture wires together. Slip through center hole of collar loop (**D**).

NOTE: Untwist wires and separate to prepare for connection.

VISUAL COMFORT

ASSEMBLY INSTRUCTIONS

Option 1: Canopy Mounted Driver



Menil Medium Chandelier

Item # S5171

NOTICE:

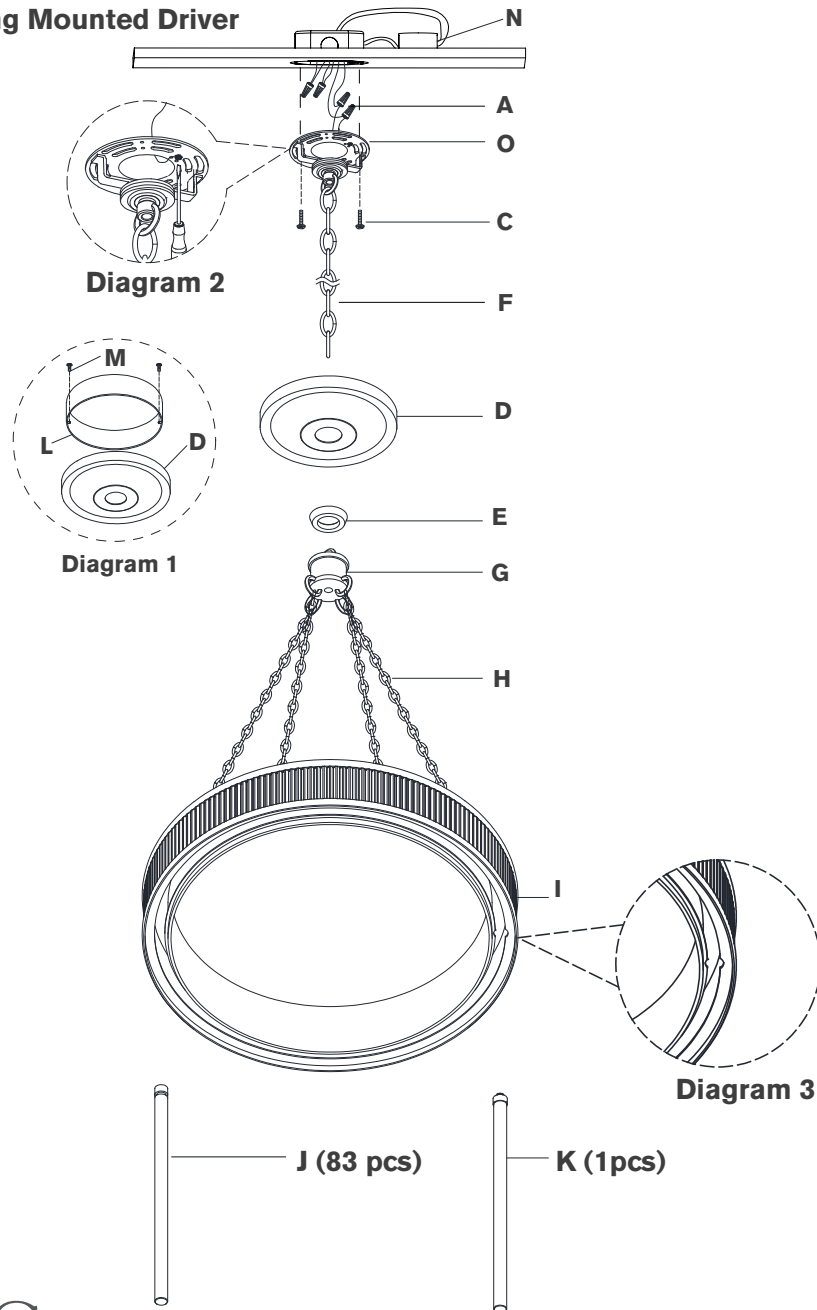
This light fixture should be installed in accordance with all applicable, local installation codes, and by a person familiar with the construction and operation of it, as well as the hazards involved. Inspect item and contents carefully. If any damage or defect is found, do not install. Retain all packaging material until installation is complete and approved.

11. Connect fixture neutral wire (ribbed) to the driver output neutral wire (black) using wire nut **(A)**.
12. Connect fixture hot wire (smooth with markings) to the driver output hot wire (red) using wire nut **(A)**.
13. Connect supply ground wire (usually green or bare copper) around the green grounding screw (see diagram 1). Tighten.
NOTE: It is imperative that the fixture is grounded.
14. Connect driver input neutral wire (white) to the supply neutral wire (usually white) using wire nut **(A)**.
15. Connect the driver input hot wire (black) to the supply hot wire (usually black) using wire nut **(A)**.
CAUTION: Do not reverse the hot and neutral connections.
16. Make sure all wire connections are tight, then carefully tuck into the junction box.
17. Insert driver **(N)** into mounting plate bracket.
18. Install canopy **(D)** to mounting plate **(B)** by securing with collar ring **(E)**.
19. To install crystal rods **(J)** insert into hole on bottom of fixture frame, align with groove in rod and slide over.
20. Once all crystal rods **(J)** are installed, align crystal rod **(K)** with hole on bottom of fixture frame and thread to secure. (see diagram 3)

Care Instructions: Clean only with a soft dry cloth or feather duster. Do not use abrasive or chemical agents.

ASSEMBLY INSTRUCTIONS

Option 2: Ceiling Mounted Driver



Menil Medium Chandelier

Item # S5171

NOTICE:

This light fixture should be installed in accordance with all applicable, local installation codes, and by a person familiar with the construction and operation of it, as well as the hazards involved. Inspect item and contents carefully. If any damage or defect is found, do not install. Retain all packaging material until installation is complete and approved.

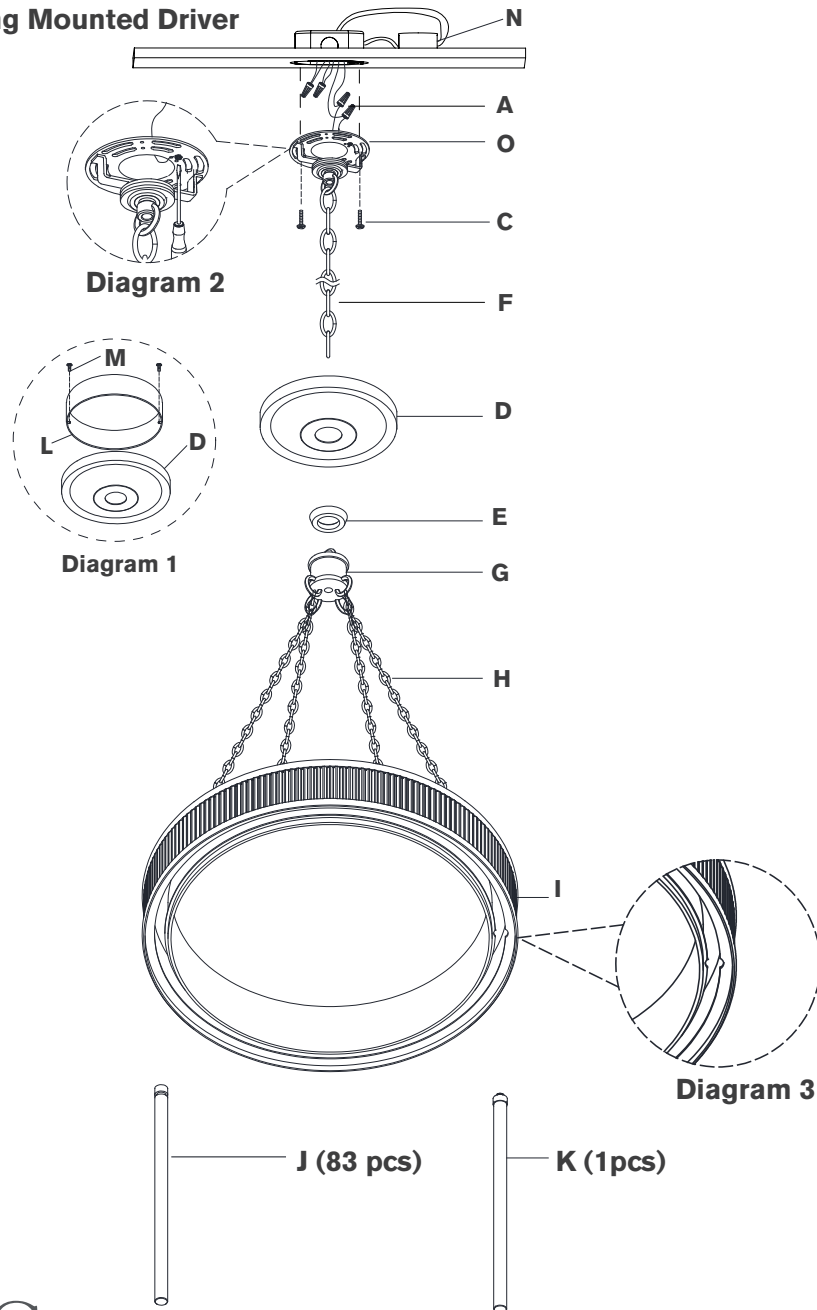
TOOLS REQUIRED (NOT INCLUDED):

Phillips Screwdriver	Slotted Screwdriver	Chain Pliers
Slip Joint Pliers	Measuring Tape	Wire Cutters
Wire Strippers		

1. Carefully remove all parts from the box. Place on a clean, soft surface.
 2. Place driver **(N)** into ceiling and route all wires through one of the knockouts in the junction box.
 3. Locate shorter profile mounting plate **(O)** for option 2 mounting. Install shorter plate **(O)** to junction box and secure with mounting screws **(C)**.
 4. Remove original mounting plate from chain **(F)** using chain pliers and set aside.
 5. Remove driver housing **(L)** from canopy **(D)** by removing screws **(M)**. (see diagram 1)
- NOTE:** Keep original parts for safe keeping to revert back to original orientation at a later time.
6. Install canopy **(D)** to mounting plate **(B)** and secure with and collar ring **(E)**.
 7. Determine desired overall length, and amount of chain **(F)** needed. Shorten chain **(F)** using chain pliers (Keep extra chain).
 8. Attach chain **(F)** to collar loop and to fixture loop **(G)** using chain pliers.
 9. Attach chains **(H)** to hooks on bottom of fixture loop **(G)**.

ASSEMBLY INSTRUCTIONS

Option 2: Ceiling Mounted Driver



Menil Medium Chandelier

Item # S5171

NOTICE:

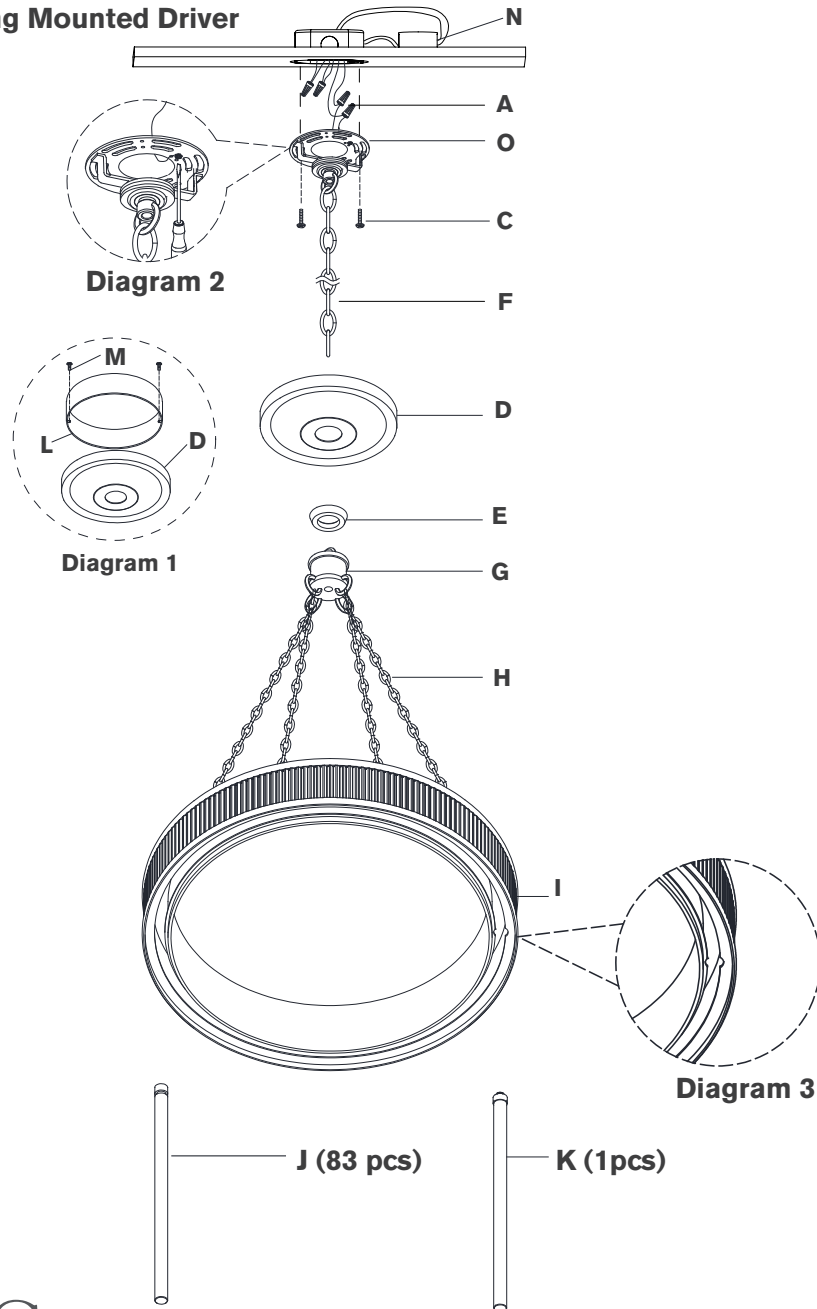
This light fixture should be installed in accordance with all applicable, local installation codes, and by a person familiar with the construction and operation of it, as well as the hazards involved. Inspect item and contents carefully. If any damage or defect is found, do not install. Retain all packaging material until installation is complete and approved.

10. Thread fixture wire and ground wire through chain (**F**).
NOTE: When you reach the collar loop, ensure there is no tension on the wires. Cut excess wires, being sure to leave about **12"** to reach the junction box.
11. Separate two sides of molded wire, and strip insulation on each 5/8".
12. Loosen collar ring (**E**) and let canopy (**D**) slip down chain (**F**) carefully.
13. Twist all fixture wires together. Slip through center hole of collar loop (**D**).
NOTE: Untwist wires and separate to prepare for connection.
14. Connect fixture neutral wire (ribbed) to the driver output neutral wire (black) using wire nut (**A**).
15. Connect fixture hot wire (smooth with markings) to the driver output hot wire (red) using wire nut (**A**).
16. Connect supply ground wire (usually green or bare copper) around the green grounding screw. Tighten.
NOTE: It is imperative that the fixture is grounded.
17. Connect supply ground wire (usually green or bare copper) around the green grounding screw (see diagram 2). Tighten.
NOTE: It is imperative that the fixture is grounded.
18. Connect driver input neutral wire (white) to the supply neutral wire (usually white) using wire nut (**A**).
19. Connect the driver input hot wire (black) to the supply hot wire (usually black) using wire nut (**A**).
CAUTION: Do not reverse the hot and neutral connections.

VISUAL COMFORT

ASSEMBLY INSTRUCTIONS

Option 2: Ceiling Mounted Driver



Menil Medium Chandelier

Item # S5171

NOTICE:

This light fixture should be installed in accordance with all applicable, local installation codes, and by a person familiar with the construction and operation of it, as well as the hazards involved. Inspect item and contents carefully. If any damage or defect is found, do not install. Retain all packaging material until installation is complete and approved.

20. Make sure all wire connections are tight, then carefully tuck into the junction box.
21. Insert driver **(N)** into mounting plate bracket.
22. Install canopy **(D)** to mounting plate **(B)** by securing with collar ring **(E)**.
23. To install crystal rods **(J)** insert into hole on bottom of fixture frame, align with groove in rod and slide over.
24. Once all crystal rods **(J)** are installed, align crystal rod **(K)** with hole on bottom of fixture frame and thread to secure. (see diagram 3)

Care Instructions: Clean only with a soft dry cloth or feather duster. Do not use abrasive or chemical agents.

VISUAL COMFORT