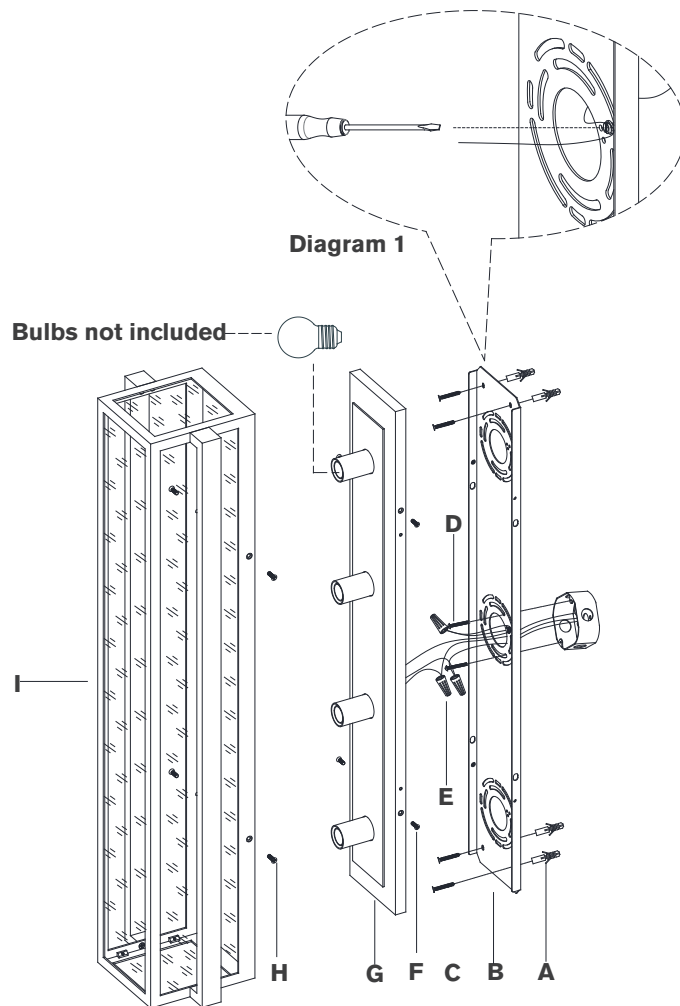


ASSEMBLY INSTRUCTIONS



Halle 30" Vanity Light

Item # S 2204

NOTICE:

This light fixture should be installed in accordance with all applicable, local installation codes, and by a person familiar with the construction and operation of it, as well as the hazards involved. Inspect item and contents carefully. If any damage or defect is found, do not install. Retain all packaging material until installation is complete and approved.

11. Install fixture body (**G**) to mounting plate (**B**) and secure with side screws (**F**).
12. Install light bulb into the socket.
13. Install lantern (**I**) to fixture body (**G**) and secure with side screws (**H**).

FOR OUTDOOR/WET LOCATION INSTALLATION:

14. Using silicon compound, apply a small bead where backplate meets the wall to prevent water from entering.

NOTE: Large gaps will need to be corrected before applying silicon compound.

Care Instructions: Clean only with a soft dry cloth or feather duster. Do not use abrasive or chemical agents.