

ASSEMBLY INSTRUCTIONS

Rousseau Grande Eight Light Articulating Chandelier Item # KW 5589

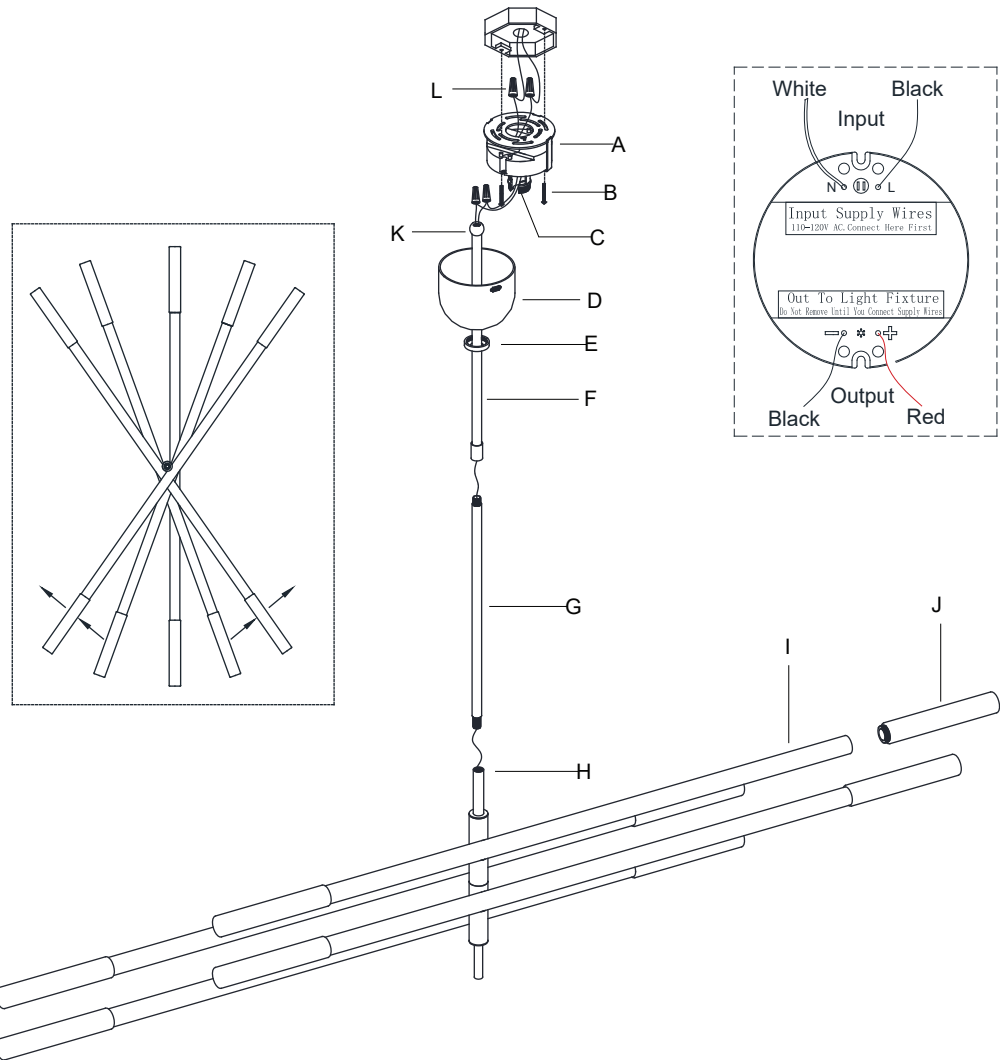
WE RECOMMEND INSTALLATION OF THIS LIGHTING FIXTURE BE DONE BY A LICENSED ELECTRICIAN.

WARNING*SWITCH OFF THE MAIN ELECTRICAL SUPPLY FROM THE MAIN FUSE BOX/CIRCUIT BREAKER BEFORE INSTALLATION.**

INSPECT ITEM CAREFULLY BEFORE ATTEMPTING TO INSTALL. IF THERE IS ANY DAMAGE OR OBVIOUS DEFECT. DO NOT INSTALL.

ITEM MAY NOT BE RETURNED ONCE IT HAS BEEN INSTALLED.

NOTE: CAREFULLY UNPACK EACH PIECE IN TOP LAYER OF PACKING PRIOR TO REMOVING. RETAIN ALL PACKING MATERIAL UNTIL INSPECTION AND INSTALLATION ARE FINAL.



- Carefully remove all parts from the box.
- Remove the mounting plate (A) from the canopy (D) by loosening the collar ring (E).
- Install the mounting plate (A) to junction box and secure with the mounting screws (B).
- Wrap the junction box ground wire to the green ground screw on the mounting plate (A) and secure.
IT IS IMPERATIVE THAT THIS FIXTURE BE GROUNDED.
- Feed the wires through the rod (G), collar ring (E), canopy (D) and rod (F).
- Thread the rod (G) to the connector (H) then thread the rod (F) to the rod (G).
- Hang the fixture swivel ball (K) to the center of the mounting plate (A).
- Measure the wires then cut, be certain to leave enough length to connect to the driver output wires.
- Strip the insulation on the fixture wires about 5/8".
- Connect the fixture black wire to the driver output black wire using the wire nut (L).
- Connect the fixture red wire to the driver output red wire using the wire nut (L).
- Connect the driver input white wire to the neutral wire in the junction box using the wire nut (L).
- Connect the driver input black wire to the hot wire in the junction box using the wire nut (L).
DO NOT REVERSE THE HOT AND NEUTRAL CONNECTIONS OTHERWISE SAFETY WILL BE COMPROMISED.
- Carefully tuck the wire connections into the junction box.

ASSEMBLY INSTRUCTIONS

Rousseau Grande Eight Light Articulating Chandelier Item # KW 5589

WE RECOMMEND INSTALLATION OF THIS LIGHTING FIXTURE BE DONE BY A LICENSED ELECTRICIAN.

WARNING*SWITCH OFF THE MAIN ELECTRICAL SUPPLY FROM THE MAIN FUSE BOX/CIRCUIT BREAKER BEFORE INSTALLATION.**

INSPECT ITEM CAREFULLY BEFORE ATTEMPTING TO INSTALL. IF THERE IS ANY DAMAGE OR OBVIOUS DEFECT. DO NOT INSTALL.

ITEM MAY NOT BE RETURNED ONCE IT HAS BEEN INSTALLED.

NOTE: CAREFULLY UNPACK EACH PIECE IN TOP LAYER OF PACKING PRIOR TO REMOVING. RETAIN ALL PACKING MATERIAL UNTIL INSPECTION AND INSTALLATION ARE FINAL.

15. Insert the driver into the mounting plate bracket.
16. Install the canopy (D) to the junction box and secure with the collar ring (E).
17. Thread the rods (J) to the fixture body (I).
DO NOT OVER-TIGHTEN, OTHERWISE THE GLASS COULD BECOME DAMAGED.
18. Rotate the arm to your desired position as shown in diagram.
19. Installation is complete, turn on power at fuse or circuit breaker.

***Clean with a dry, soft cloth only. Use no harsh abrasives or chemical agents.

