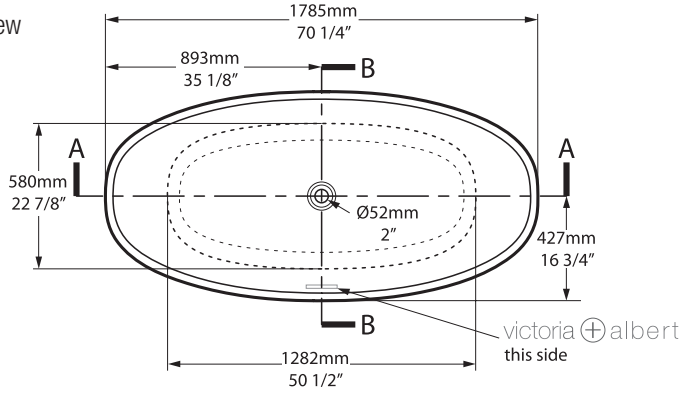


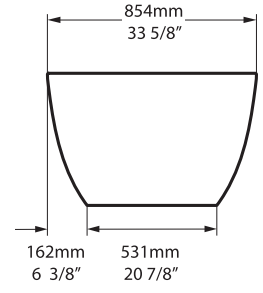
# Barcelona Freestanding Bathtub

BAR-N-SW-NO / BAR-N-SW-OF / BARM-N-SM-NO / BARM-N-SM-OF

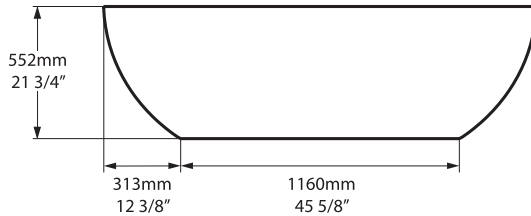
Top view



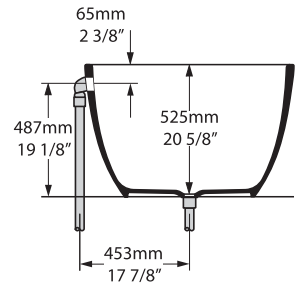
Front view



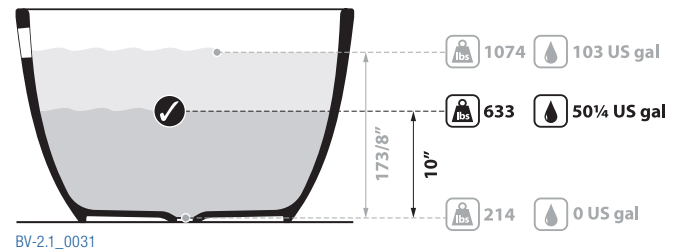
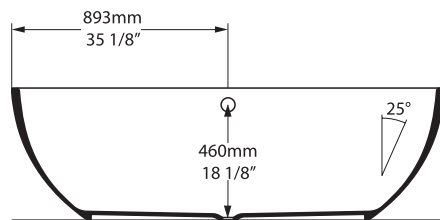
Side view



Section BB



Section AA



BV-2.1\_0031

Recommended drains: K-40E / K-70-xx / K-51-XX

**US Customers**

U.S.A.  
 HOUSEOFROHL.COM  
 1-800-777-9762

**Canadian Customers**

QUEBEC / MARITIMES / WESTERN CANADA  
 QUÉBEC / MARITIMOS / QUEST CANADIEN  
 QUEBEC / MARITIMOS / CANADA OCCIDENTAL  
 HOUSEOFROHL.CA  
 1-866-473-8442

ONTARIO  
 HOUSEOFROHL.CA  
 1-800-287-5354