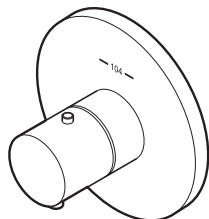
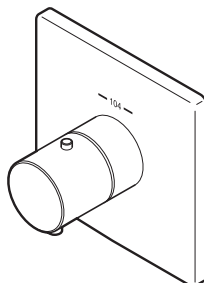


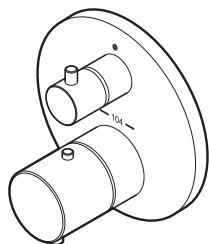
Thermostatic mixing valve and trim
Válvula termostática de mezcla y borde
Soupape et robinetterie de mélangeur thermostatique
Válvula de mistura termostática e acabamento



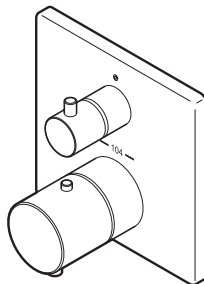
TBV01406



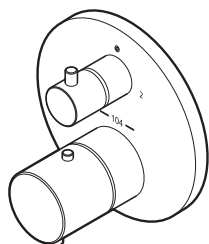
TBV02401



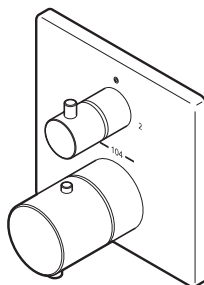
TBV01407



TBV02403



TBV01408



TBV02404

Warranty Registration and Inquiry

For product warranty registration, TOTO U.S.A. Inc. recommends online warranty registration. Please visit our web site <http://www.totousa.com>. If you have questions regarding warranty policy or coverage, please contact TOTO U.S.A. Inc., Customer Service Department, 1155 Southern Road, Morrow, GA 30260 (888) 295-8134 or (678) 466-1300 when calling from outside of U.S.A.

TABLE OF CONTENTS

Thank you for Choosing TOTO!.....2	Included parts.....3
Care And Cleaning.....2	Installation Procedure.....4
Warnings.....2	Warranty.....8
Before Installation.....2	Rough-in dimensions.....30
Tools you will need.....3	

THANK YOU FOR CHOOSING TOTO!

The mission of TOTO is to provide the world with healthy, hygienic and more comfortable lifestyles. We design every product with the balance of form and function as a guiding principle. Congratulations on your choice.

CARE AND CLEANING

Your new shower is designed for years of trouble-free performance. Keep it looking new by cleaning it periodically with mild soap, rinsing thoroughly with warm water and drying with a clean, soft cloth. Do not use abrasive cleaners, steel wool or harsh chemicals, as these will dull the finish. Failure to follow these instructions may void your warranty.

WARNINGS

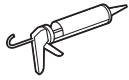
For safe operation of the shower, please observe the following:

- Operating Pressure:
 - Minimum Pressure.....20 psi (138 kPa), dynamic
 - Maximum Pressure.....80 psi (551 kPa), static
- If you are soldering during installation, do not apply excessive heat to the valve body. Excessive heat may damage the internal seals and plastic components.
- Please do not use this valve if there is a large difference in the pressure between the hot and cold water supplies.
- Hot water supply temperature should not exceed 140°F (60°C).
- Do not use this product at an ambient temperature below 32°F (0°C).
- Do not reverse the hot and cold water inlets.
- Insulate the hot water supply pipe to minimize heat loss.
- Do not use steam for the hot water supply.
- Do not disassemble the thermostatic cartridge.

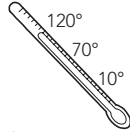
BEFORE INSTALLATION

- Observe all local plumbing codes.
- Before installing the shower, be sure to thoroughly flush the supply pipes of dirt and debris.
- Make sure the water supply is shut off at the stop valve.
- Read these instructions carefully to ensure proper installation.
- TOTO reserves the right to update product design without notice.

TOOLS YOU WILL NEED



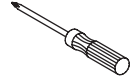
Silicon caulk



Thermometer



Hacksaw

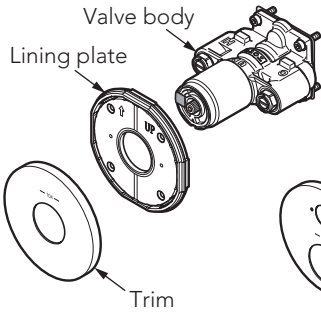


Screwdriver

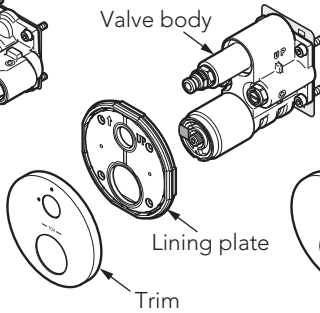
INCLUDED PARTS

■ Check to make sure you have the following parts indicated below:

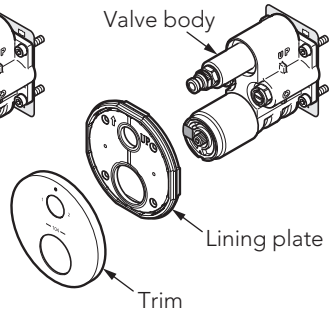
TBV01406



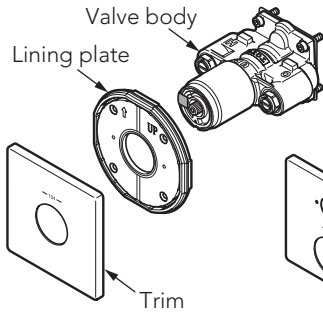
TBV01407



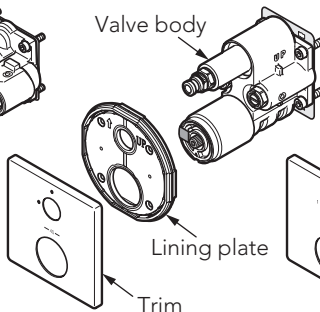
TBV01408



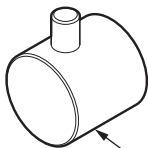
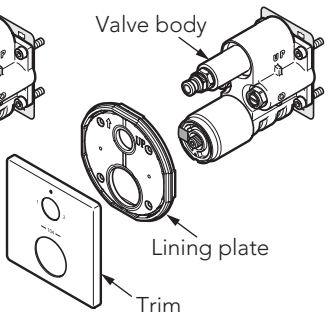
TBV02401



TBV02403



TBV02404



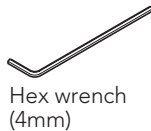
Diverter handle



Screw



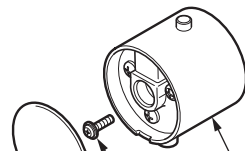
Set screw



Hex wrench
(4mm)



(2.5mm)



Temperature
control handle

Small screw

Handle cap

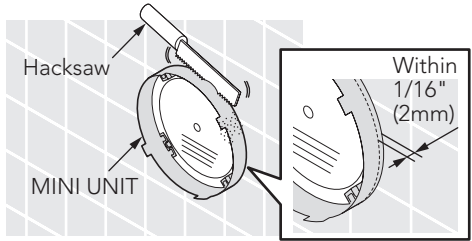
(not included for TBV01406, TBV02401)

INSTALLATION PROCEDURE

ENGLISH

I. Preparing the installation area

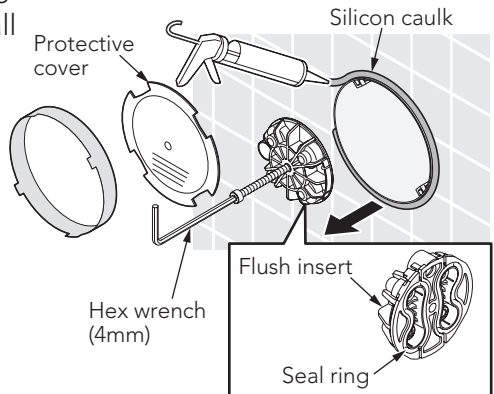
1. Use hacksaw to remove excess portion of outer plaster guard that extends from the wall surface. The space between the convex edge of the outer plaster guard and the wall surface needs to be within $1/16"$ (2mm).



WARNING:

- Keep a neat edge and make sure no edges are recessed into the wall surface when removing the outer plaster guard for the valve.
- When cutting, the plaster guard may get scratched, this does not adversely affect the product.

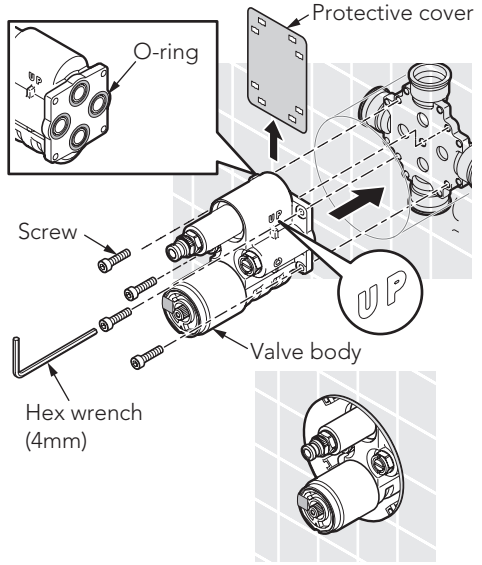
2. Apply silicon caulk uniformly and cover the gap between the outer plaster guard and the wall surface. Make sure adhesive is applied evenly and not convex to the wall surface.
3. Remove the protective cover and use a hex wrench (4mm-included) to remove the flush insert.



INSTALLATION PROCEDURE

II. Installation: Valve

1. Remove protective cover from valve body.
2. Make sure O-Rings do not fall off.
3. Verify "UP" label is facing/reads correctly. Use hex wrench (4mm-included) to fasten the valve with provided screws.



WARNING:

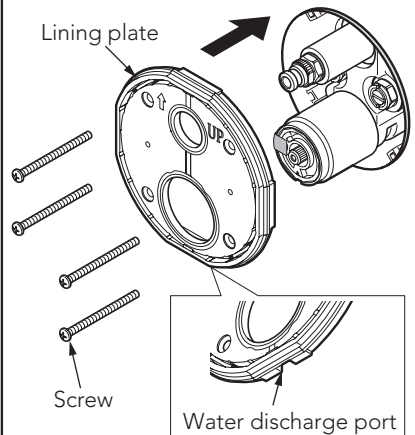
- Be careful when removing protective cover. Make sure no O-rings or screws get lost.
- Make sure valve is facing the correct direction during installation.

III. Installation : Trim

1. Position and insert lining plate according to the "UP" label on product.
2. Use a screwdriver to manually fasten the screws on the lining plate.

WARNING:

- Before installing lining plate, perform a pressure test and verify that both (HOT and COLD) water valves are completely open.
- Pay attention to the direction of the lining plate when installing. The water discharge port is located at the BOTTOM of the plate.
- DO NOT apply sealant to lining plate as this may block water discharge port. Lining plate includes a foam sealing strip.
- When fastening the screws on the lining plate, make sure to compress firmly. There should be no gap between the lining plate and the wall surface.
- DO NOT use an electric wrench to fasten screws, these should be tightened manually.



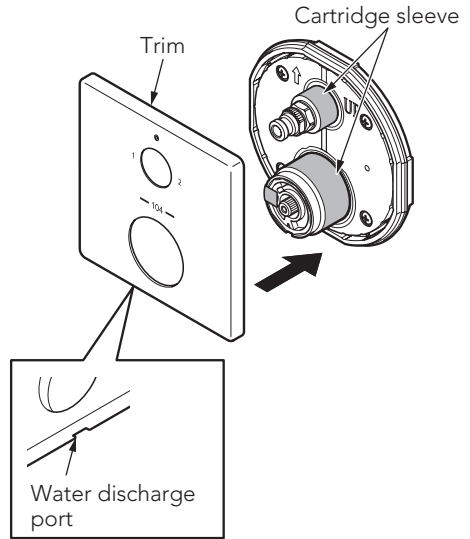
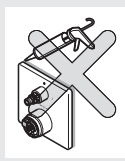
INSTALLATION PROCEDURE

ENGLISH

- Align and insert the trim through the cartridge sleeve cover and over the lining plate. Make sure the water discharge port is facing downward.
- Keep the trim within $1/16"$ (1mm) of wall surface.

WARNING:

- DO NOT scratch the cartridge sleeve when installing the trim.
- DO NOT apply waterproof caulk around the trim as this may interfere with the water discharge port located underneath the trim.



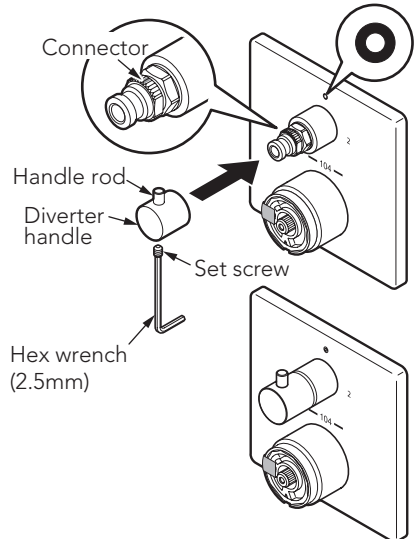
IV. Installation: Handles

a. Diverter Handle

- Insert diverter handle into connector facing upwards. Use hex wrench (2.5mm) to fasten screws. Secure the handle.

WARNING:

- Diverter handle should be installed in the position indicated on the trim.
- Cartridge is in a closed condition from factory.



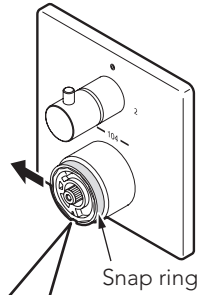
INSTALLATION PROCEDURE

b. Installation: Temperature-control handle

1. Verify that snap-ring is still attached and that the opening on it is facing down.
2. Install handle onto cartridge and verify that safety button and "104" mark on panel are centered.
3. Fasten screws with screwdriver.
4. Place handle cap on.

WARNING:

- Factory setting for water temperature handle is set at 104°F(40°C).
- Snap ring press fits within the nut groove.
- Snap ring opening faces downward.

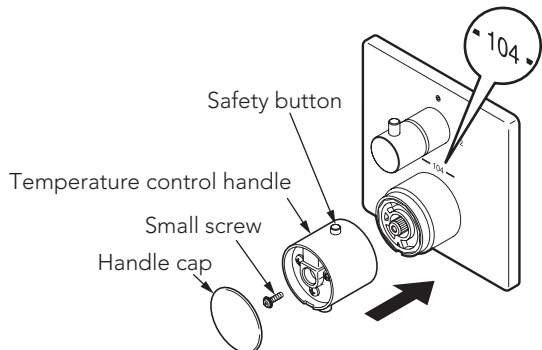
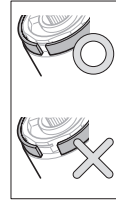


Thermostat cartridge



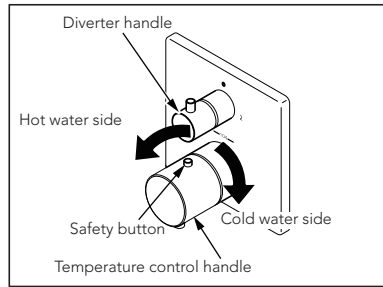
The opening faces downward

Snap ring stabilizes the functionality of the temperature control handle, minimizing unnecessary vibrations.



Adjusting the Temperature

To decrease the temperature, turn the temperature control handle clockwise. To increase the temperature, turn the temperature control handle counter-clockwise.

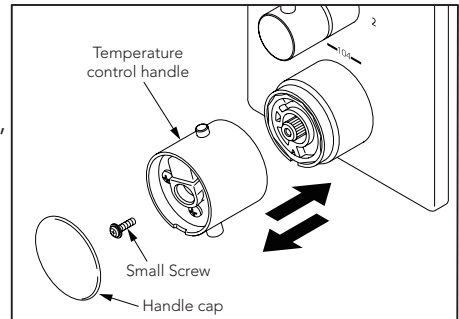


A safety button is provided to prevent hot water from spraying out due to misuse. If the desired water temperature is above 104°F(40°C), please turn the handle while pressing down on the safety button.

Adjusting the Maximum Outlet Temperature

Align the safety button on the temperature control handle with "104" on the trim surface.

Turn the water on and confirm if the outlet temperature is 104°F(40°C).



If not, please adjust the water outlet temperature by following the steps below:

1. To decrease temperature:
Remove handle cap. Remove screw and pull handle slowly. Turn handle counter-clockwise one notch and reinstall onto cartridge.

To increase temperature:
Remove handle cap. Remove screw and pull handle slowly. Turn handle clockwise one notch and reinstall onto cartridge.

2. Secure handle with screw and install handle cap.

3. Check water temperature.

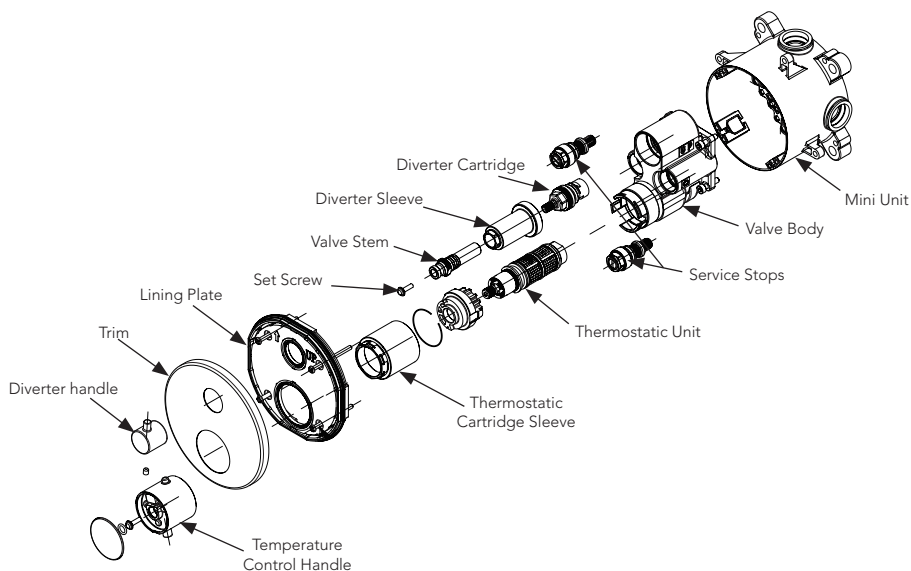
** Repeat steps 1-3 if necessary.

Cleaning the Valves

- Accessing the valve body
 1. Remove the temperature control handle and diverter handle.
 2. Remove the trim and lining plate.
- To clean filters on service stops
 1. Shut off the main Hot and Cold water supply.
 2. Remove service stop unit.
 3. Rinse the filter on the service stop in water to remove any debris.
- To clean the thermostatic unit and diverter cartridge.
 1. Shut off the Hot and Cold water supply at the service stops.
 2. Remove the thermostatic cartridge sleeve with an adjustable wrench. To remove the thermostatic unit, insert the flat-head screwdriver into the slot on the valve body and gently pry it loose.
 3. Remove the set screw, valve stem, and diverter sleeve. Remove the diverter cartridge with a 17mm socket wrench.
 4. After removing the thermostatic unit and diverter cartridge, clean it by using water and a toothbrush or a similarly soft-bristled brush on the filter screens of the unit.

IMPORTANT!

DO NOT use a wire or steel brush as this may damage the unit.



WARRANTY

1. TOTO warrants its electronic flush valves, faucets and soap dispensers ("Product") to be free from defects in materials and workmanship during normal use when properly installed and serviced, for a period of three (3) years from date of purchase. This limited warranty is extended only to the ORIGINAL PURCHASER of the Product and is not transferable to any third party, including but not limited to any subsequent purchaser or owner of the Product.

This warranty applies only to TOTO Product purchased and installed in North, Central and South America.

2. TOTO's obligations under this warranty are limited to repair, replacement or other appropriate adjustment, at TOTO's option, of the Product or parts found to be defective in normal use, provided that such Product was properly installed, used and serviced in accordance with instructions. TOTO reserves the right to make such inspections as may be necessary in order to determine the cause of the defect. TOTO will not charge for labor or parts in connection with warranty repairs or replacements. TOTO is not responsible for the cost of removal, return and/or reinstallation of the Product.

3. This warranty does not apply to the following items:

- a. Damage or loss sustained in a natural calamity such as fire, earthquake, flood, thunder, electrical storm, etc.
- b. Damage or loss resulting from any accident, unreasonable use, misuse, abuse, negligence, or improper care, cleaning, or maintenance of the Product.
- c. Damage or loss resulting from sediments or foreign matter contained in a liquid soap system.
- d. Damage or loss resulting from improper installation or from installation of the Product in a harsh and/or hazardous environment, or improper removal, repair or modification of the Product.
- e. Damage or loss resulting from electrical surges or lightning strikes or other acts which are not the fault of TOTO or which the Product is not specified to tolerate.
- f. Damage or loss resulting from normal and customary wear and tear, such as gloss reduction, scratching or fading over time due to use, cleaning practices or water or atmospheric conditions, including but not limited to, the use of bleach, alkali, acid cleaners, dry (powder) cleaners or any other abrasive cleaners or the use of metal or nylon scrubbers.

4. In order for this limited warranty to be valid, proof of purchase is required. TOTO encourages warranty registration upon purchase to create a record of Product ownership at <http://www.totousa.com> is required. TOTO encourages registration upon purchase and failure to register will not diminish your limited warranty rights.

5. THIS WARRANTY GIVES YOU SPECIFIC LEGAL RIGHTS. YOU MAY HAVE OTHER RIGHTS WHICH VARY FROM STATE TO STATE, PROVINCE TO PROVINCE OR COUNTRY TO COUNTRY.

6. To obtain warranty repair service under this warranty, you must take the Product or deliver it prepaid to a TOTO service facility together with proof of purchase (original sales receipt) and a letter stating the problem, or contact a TOTO distributor or products service contractor, or write directly to TOTO U.S.A., INC., 1155 Southern Road, Morrow, GA 30260 (888) 295 8134 or (678) 466-1300, if outside the U.S.A. If, because of the size of the Product or nature of the defect, the Product cannot be returned to TOTO, receipt by TOTO of written notice of the defect together with proof of purchase (original sales receipt) shall constitute delivery. In such case, TOTO may choose to repair the Product at the purchaser's location or pay to transport the Product to a service facility.

THIS WRITTEN WARRANTY IS THE ONLY WARRANTY MADE BY TOTO. REPAIR, REPLACEMENT OR OTHER APPROPRIATE ADJUSTMENT AS PROVIDED UNDER THIS WARRANTY SHALL BE THE EXCLUSIVE REMEDY AVAILABLE TO THE ORIGINAL PURCHASER. TOTO SHALL NOT BE RESPONSIBLE FOR LOSS OF THE PRODUCT OR FOR OTHER INCIDENTAL, SPECIAL OR CONSEQUENTIAL DAMAGES OR EXPENSES INCURRED BY THE ORIGINAL PURCHASER, OR FOR LABOR OR OTHER COSTS DUE TO INSTALLATION OR REMOVAL, OR COSTS OF REPAIRS BY OTHERS, OR FOR ANY OTHER EXPENSE NOT SPECIFICALLY STATED ABOVE. IN NO EVENT WILL TOTO'S RESPONSIBILITY EXCEED THE PURCHASE PRICE OF THE PRODUCT. EXCEPT TO THE EXTENT PROHIBITED BY APPLICABLE LAW, ANY IMPLIED WARRANTIES, INCLUDING THAT OF MERCHANTABILITY OR FITNESS FOR USE OR FOR A PARTICULAR PURPOSE, ARE EXPRESSLY DISCLAIMED. SOME STATES DO NOT ALLOW LIMITATIONS ON HOW LONG AN IMPLIED WARRANTY LASTS, OR THE EXCLUSION OR LIMITATION OF INCIDENTAL OR CONSEQUENTIAL DAMAGES, SO THE ABOVE LIMITATION AND EXCLUSION MAY NOT APPLY TO YOU.

TABLA DE CONTENIDO

¡Gracias por elegir TOTO!.....9	Piezas Incluidas.....10
Cuidado y Limpieza.....9	Procedimiento de Instalación.....11
Advertencias.....9	Garantía.....15
Antes de la Instalación.....9	Dimensiones Preliminares.....30
Herramientas que va a Necesitar.....10	

¡GRACIAS POR ELEGIR TOTO!

La misión de TOTO es proporcionar al mundo estilos de vida saludables, higiénicos y más cómodos. Diseñamos cada producto con el equilibrio de forma y función como principio rector. Felicidades por tu elección.

CUIDADO Y LIMPIEZA

Su nueva ducha está diseñada para años de rendimiento sin problemas. Mantenga su aspecto como nuevo limpiando periódicamente con jabón suave, enjuague bien con agua tibia y seque con un paño limpio y suave. No use limpiadores abrasivos, lana de acero o productos químicos agresivos, ya que éstos opacarán el acabado. El incumplimiento de estas instrucciones puede anular la garantía

ADVERTENCIAS

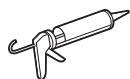
Para un funcionamiento seguro de la ducha, tenga en cuenta lo siguiente:

- Presión operacional:
 - Presión mínima 20 psi (138 kPa), dinámica
 - Presión máxima 80 psi (551 kPa), estático
- Si está soldando durante el montaje, no aplique calor excesivo al cuerpo de la válvula. El calor excesivo puede dañar los sellos internos y los componentes plásticos.
- No use esta válvula si hay una gran diferencia de presión entre los suministros de agua caliente y fría.
- La temperatura del suministro de agua caliente no debe exceder 140°F (60°C).
- No use el producto a una temperatura ambiente inferior a 32°F (0°C).
- No revierta las entradas de agua caliente y fría.
- Aísle el tubo de suministro de agua caliente para minimizar la pérdida de calor.
- No utilice vapor para el suministro de agua caliente.
- No desmonte el cartucho termostático.

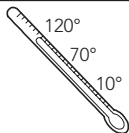
ANTES DE LA INSTALACIÓN

- Observe todos los códigos de plomería locales.
- Antes de instalar la ducha, asegúrese de enjuagar a fondo los tubos de suministro de suciedad y residuos.
- Asegúrese de que el suministro de agua esté cerrado en la válvula de cierre.
- Lea estas instrucciones cuidadosamente para asegurar una instalación correcta.
- TOTO se reserva el derecho de actualizar el diseño del producto sin previo aviso.

HERRAMIENTAS QUE VA A NECESITAR



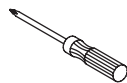
Sellador de silicona



Termómetro



Sierra para metales

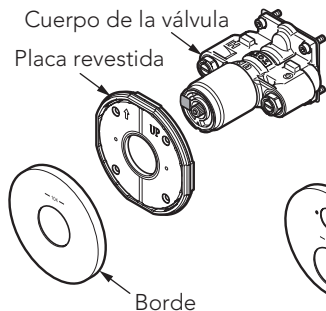


Destornillador

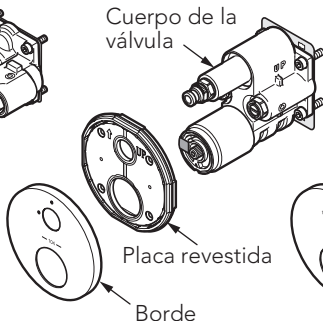
PIEZAS INCLUIDAS

■ Verifique para asegurarse de tener las piezas que se indican a continuación:

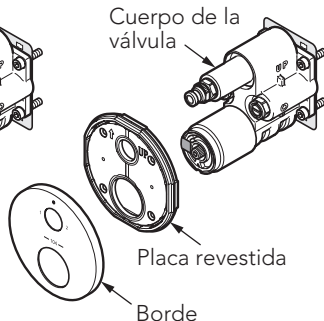
TBV01406



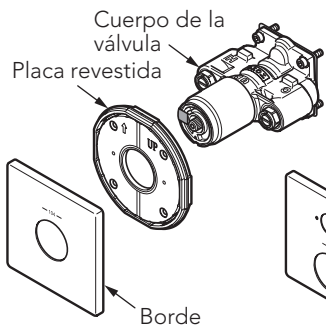
TBV01407



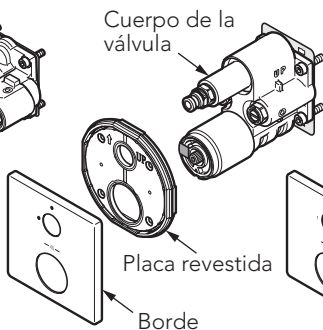
TBV01408



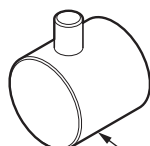
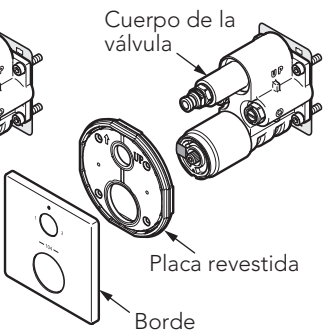
TBV02401



TBV02403



TBV02404



manija del desvío



Tornillo



Tornillo de fijación

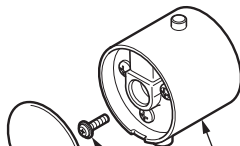


Llave hexagonal (4mm)



(2.5mm)

(no incluido para TBV01406, TBV02401)



manija de control de temperatura

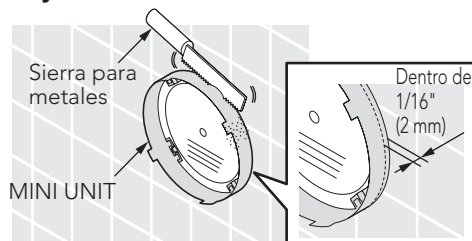


Tapa de manija

Tornillo pequeño

I. Preparación del área de montaje

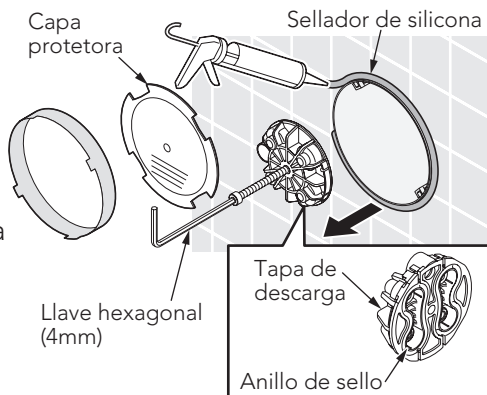
1. Use la sierra para quitar la parte excesiva de protección de yeso exterior que se extiende desde la superficie de la pared. El espacio entre el borde convexo de la protección de yeso exterior y la superficie de la pared debe ser de alrededor de $1/16"$ (2 mm).



ADVERTENCIA:

- Mantenga el borde limpio y asegúrese de que no haya rebajes en la superficie de la pared cuando retire la protección de yeso exterior de la válvula.
- Al cortar, la protección de yeso puede rayarse, esto no afecta negativamente al producto.

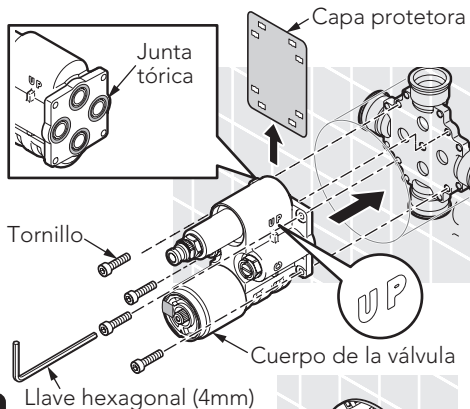
2. Aplique masilla de silicona uniformemente y cubra el espacio entre la protección de yeso exterior y la superficie de la pared. Asegúrese de que el adhesivo se aplique de manera uniforme y no convexa con respecto a la superficie de la pared.
3. Quite la tapa protectora y utilice una llave hexagonal de (4 mm, incluida) para quitar la tapa de descarga.



PROCEDIMIENTO DE INSTALACIÓN

II. Montaje: Válvula

1. Quite la tapa protectora del cuerpo de la válvula.
2. Asegúrese de que no se caigan las juntas tóricas.
3. Verifique que la etiqueta "UP" (arriba) esté ubicada/se lea correctamente. Use una llave hexagonal (4 mm, incluida) para sujetar las válvulas con los tornillos proporcionados.



ADVERTENCIA:

- Tenga cuidado al quitar la tapa protectora. Asegúrese de que no se pierdan las juntas tóricas o los tornillos.
- Asegúrese de que la válvula esté colocada en la dirección correcta durante el montaje.

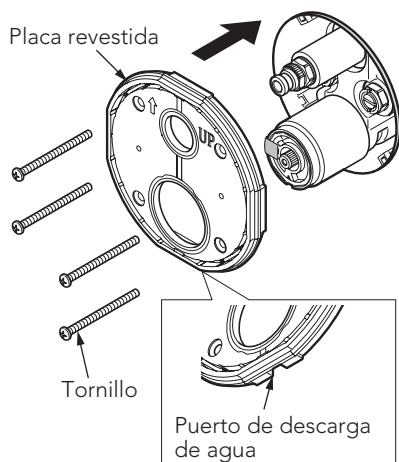
Después de la instalación

III. Montaje : Borde

1. Posicione e inserte la placa revestida conforme a la etiqueta "UP" en el producto.
2. Use un destornillador para sujetar manualmente los tornillos en la placa revestida.

ADVERTENCIA:

- Antes de instalar la placa revestida, lleve a cabo una prueba de presión y verifique que ambas válvulas de agua (CALIENTE y FRÍA) estén completamente abiertas.
- Preste atención a la dirección de la placa revestida durante el montaje. El puerto de descarga de agua está ubicado en la PARTE INFERIOR de la placa.
- NO aplique sellador a la placa revestida, ya que esto podría bloquear el puerto de descarga de agua. La placa revestida incluye una cinta selladora de espuma.
- Cuando sujete los tornillos en la placa revestida, asegúrese de comprimir firmemente. No debe haber un espacio entre la placa revestida y la superficie de pared.
- NO utilice una llave eléctrica para sujetar tornillos, estos deben apretarse manualmente.

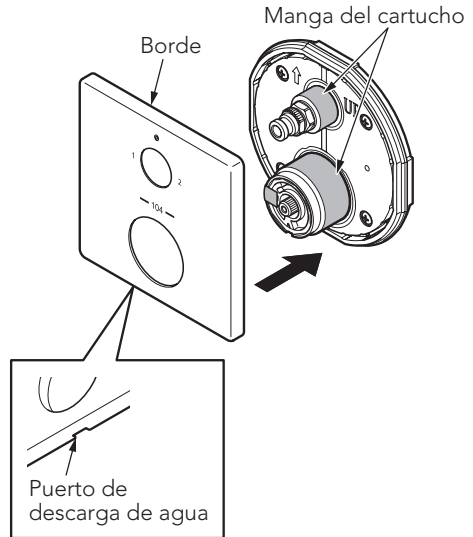
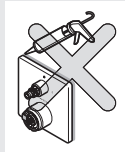


PROCEDIMIENTO DE INSTALACIÓN

3. Proceda a alinear e insertar el borde a través de la tapa del manguito del cartucho y por encima de la placa revestida. Asegúrese de que el puerto de descarga de agua esté apuntando hacia abajo.
4. Mantenga el borde dentro de $1/16"$ (1mm) de superficie de la pared.

ADVERTENCIA:

- NO raye el manguito del cartucho durante el montaje de la borde.
- NO aplique sellador impermeable alrededor del borde, ya que esto puede interferir con el puerto de descarga de agua ubicado debajo del borde.



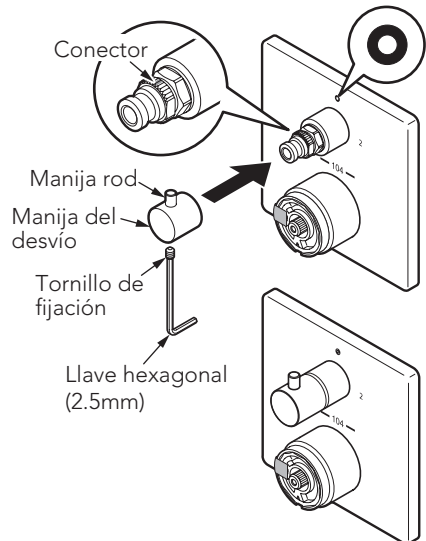
IV. Montaje: Manijas

a. Manija de desvío

1. Inserte la manija del desvío en el conector apuntando hacia arriba. Use la llave hexagonal (2,5 mm) para ajustar los tornillos. Sujete firmemente la llave.

ADVERTENCIA:

- Manija del desvío debe montarse en la posición indicada en el borde.
- El cartucho viene cerrado de fábrica.



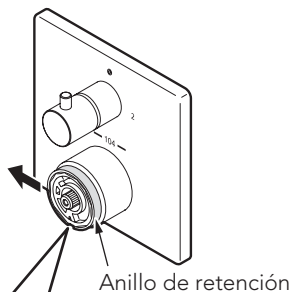
PROCEDIMIENTO DE INSTALACIÓN

b. Montaje: Manija con control de temperatura

1. Verifique que el anillo de retención aún esté sujeto y que su abertura apunte hacia abajo.
2. Instale la manija en el cartucho y verifique que el botón de seguridad y la marca "104" en el panel estén centrados.
3. Ajuste los tornillos con destornillador.
4. Coloque la tapa de la manija.

ADVERTENCIA:

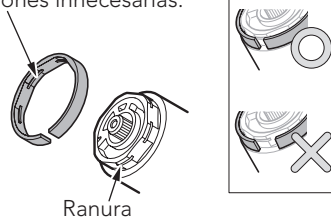
- El ajuste de fábrica para la manija de temperatura de agua está establecido en 104 °F (40 °C).
- El anillo de retención se ajusta a presión dentro de la ranura de la tuerca.
- La abertura del anillo de retención apunta hacia abajo.



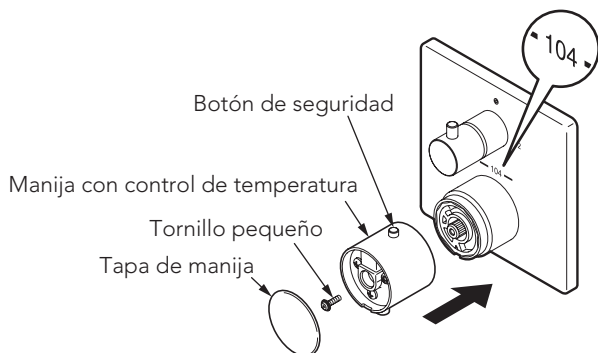
Cartucho del termostato

La abertura apunta hacia abajo

El anillo de retención estabiliza la funcionalidad de la manija con control de temperatura, lo que minimiza las vibraciones innecesarias.



Ranura



Ajuste de temperatura

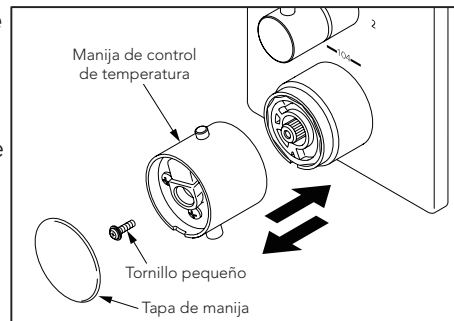
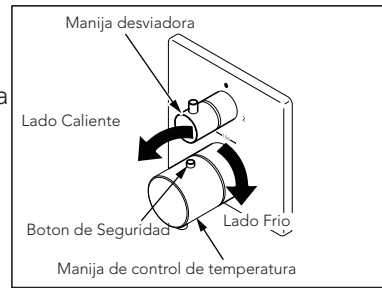
Para bajar la temperatura, gire la manija de control de temperatura hacia la derecha. Para aumentar la temperatura, gire la manija de control de temperatura hacia la izquierda.

Se incluye un botón de seguridad para evitar el rocío de agua caliente por mal uso. Si la temperatura del agua es superior a 104 °F (40 °C), gire la manija mientras presiona el botón de seguridad.

Ajuste de la temperatura máxima de salida

Alinee el botón de seguridad que se encuentra en la manija del control de temperatura con "104" en la superficie de la moldura.

Abra el agua y confirme si la temperatura de salida es de 104 °F (40 °C).



Si no, ajuste la temperatura de salida siguiendo los pasos a continuación:

1. Para disminuir la temperatura, haga lo siguiente:
Retire la tapa de la manija. Quite el tornillo y jale lentamente de la manija. Gire una muesca de la manija hacia la izquierda y reinstale en el cartucho.

Para aumentar la temperatura, haga lo siguiente:
Retire la tapa de la manija. Quite el tornillo y jale lentamente de la manija. Gire una muesca de la manija hacia la derecha y reinstale en el cartucho.

2. Asegure la manija con el tornillo e instale la tapa de la manija.
3. Verifique la temperatura del agua.

**Si es necesario, repita los pasos del 1 al 3.

Limpieza de las válvulas

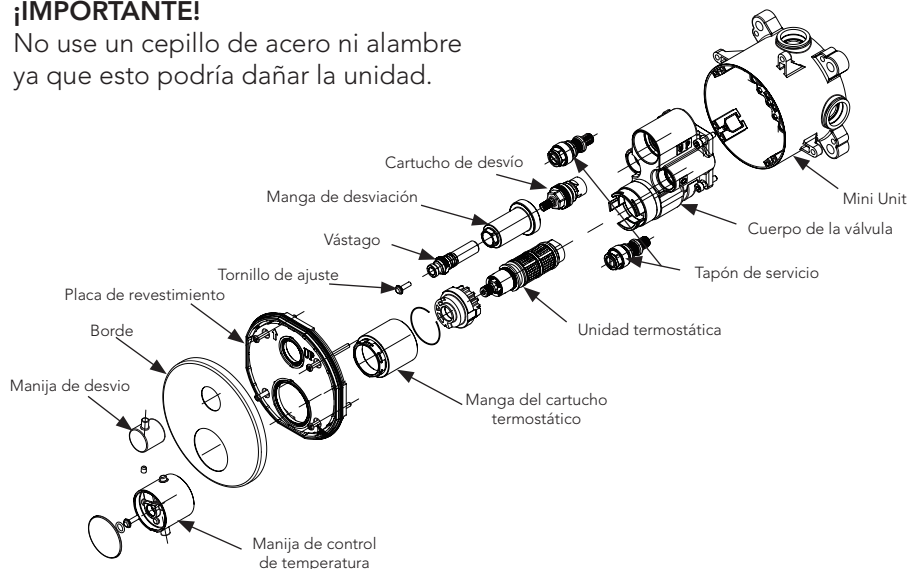
- Acceso al cuerpo de la válvula
 1. Retire la manija de control de temperatura y la manija del desviador.
 2. Retire la moldura y la placa revestida.

- Limpieza de los filtros durante la detención del servicio técnico
 1. Cierre el suministro principal de agua caliente y fría.
 2. Retire la unidad de detención de servicio técnico.
 3. Enjuague con agua el filtro durante la detención del servicio técnico para eliminar residuos.

- Limpieza de la unidad termostática y el cartucho del desviador
 1. Cierre el suministro de agua caliente y fría en las detenciones de servicio técnico.
 2. Retire la manga del cartucho termostático con una llave ajustable. Para retirar la unidad termostática, inserte un destornillador de punta plana en la ranura del cuerpo de la válvula y haga palanca suavemente para aflojarla.
 3. Retire el tornillo de fijación, el vástago de la válvula y la manga del desviador. Retire el cartucho del desviador con una llave de tubo de 17 mm.
 4. Después de retirar la unidad termostática y el cartucho del desviador, límpielos con agua y un cepillo de dientes o cepillo de cerdas suave similar en los filtros de tela metálica de la unidad.

¡IMPORTANTE!

No use un cepillo de acero ni alambre ya que esto podría dañar la unidad.



GARANTÍA

1. TOTO garantiza que sus válvulas de descarga electrónica, grifos y dispensadores de jabón ("Producto") están libres de defectos en los materiales y mano de obra durante el uso normal cuando se instala y se mantiene de manera adecuada, por un período de tres (3) años a partir de la fecha de adquisición. Esta garantía limitada se extiende solamente al COMPRADOR ORIGINAL del Producto y no es transferible a terceros, incluyendo pero no taxativamente cualquier comprador o propietario subsecuente del Producto. Esta garantía se aplica solamente al producto TOTO adquirido e instalado en América del Norte, Central y Sur.
2. Las obligaciones de TOTO conforme a esta garantía se limitan a la reparación, reemplazo u otro ajuste apropiado, a discreción de TOTO, del Producto o las piezas que resulten defectuosas en su uso normal, siempre que dicho Producto fuera instalado, utilizado y mantenido adecuadamente en consonancia a las instrucciones. TOTO se reserva el derecho de realizar tantas inspecciones como sean necesarias para determinar la causa del defecto. TOTO no cobrará por la mano de obra o piezas con respecto a las reparaciones o reemplazos de la garantía.
TOTO no es responsable del costo de la retirada, devolución o reinstalación del Producto.
3. Esta garantía no se aplica a los siguientes puntos:
 - a. Daños o pérdidas resultantes de una calamidad natural como incendio, terremoto, inundación, truenos, tormenta eléctrica, etc.
 - b. Daños o pérdidas resultantes de cualquier accidente, uso irrazonable, uso indebido, abuso, negligencia, o cuidado inadecuado, limpieza o mantenimiento del Producto.
 - c. Daños o pérdidas resultantes de los sedimentos o cuerpos extraños en un sistema de jabón líquido.
 - d. Daños o pérdidas resultantes de una instalación incorrecta o de la instalación del Producto en un ambiente áspero o peligroso, reparación o modificación inadecuada del Producto.
 - e. Daños o pérdidas resultantes de sobrecargas eléctricas o rayos u otros actos que no sean responsabilidad de TOTO o que el Producto no es especificado para tolerar.
 - f. Daños o pérdidas resultantes del desgaste normal y habitual, como pérdida de brillo, rayado o desvanecimiento con el tiempo debido al uso, prácticas de limpieza, condiciones atmosféricas o agua, incluyendo pero no taxativamente, el uso de lejía, alcalinos, limpiadores ácidos, limpiadores secos (polvo) o limpiadores abrasivos o el uso de depuradores de metal o nylon.
4. Con el de que esta garantía limitada sea válida, se requiere una prueba de compra. TOTO le aconseja el registro de la garantía al momento de la compra para crear un registro de la propiedad del Producto en <http://www.totousa.com>. El registro del producto es completamente voluntario y no hacerlo no disminuirá los derechos de su garantía limitada.
5. ESTA GARANTÍA LE OTORGA DERECHOS LEGALES ESPECÍFICOS. PUEDE TENER OTROS DERECHOS QUE VARIAN ENTRE ESTADOS, PROVINCIAS O PAÍSES.

6. A fin de obtener el servicio de reparación de la garantía en virtud de esta garantía, deberá llevar el producto o entregarlo prepago a un servicio técnico de TOTO junto con el comprobante de compra (recibo de venta original) y una carta que indique el problema, o póngase en contacto con un distribuidor o contratista de servicio de productos de TOTO o bien escriba directamente a TOTO U.S.A., INC., 1155 Southern Road, Morrow, GA 30260 (888) 295 8134 o (678) 466-1300, si no se encuentra en los Estados Unidos. Si, debido al tamaño del Producto o a la naturaleza del defecto, el Producto no se puede devolver a TOTO, el recibo de TOTO del aviso por escrito del defecto junto con el comprobante de compra (recibo de venta original) constituirá la entrega. En tal caso, TOTO puede optar por reparar el Producto en el lugar del comprador o pagar para transportar el Producto a un servicio técnico.

ESTA GARANTÍA POR ESCRITO ES LA ÚNICA GARANTÍA REALIZADA POR TOTO. LA REPARACIÓN, REEMPLAZO U OTRO AJUSTE ADECUADO, TAL COMO APARECE EN ESTA GARANTÍA SERÁ EL ÚNICO RECURSO DISPONIBLE PARA EL COMPRADOR ORIGINAL. TOTO NO SERÁ RESPONSABLE DE LA PÉRDIDA DEL PRODUCTO O DE OTROS DAÑOS INCIDENTALES, ESPECIALES O CONSECUENCIALES O GASTOS INCURRIDOS POR EL COMPRADOR ORIGINAL, O DE LA MANO DE OBRA U OTROS COSTOS RELACIONADOS CON LA INSTALACIÓN O RETIRADA, O COSTOS DE REPARACIONES REALIZADOS POR OTROS O DE NINGÚN OTRO GASTO QUE NO SE HUBIERA ESPECIFICADO ANTERIORMENTE. EN NINGÚN CASO LA RESPONSABILIDAD DE TOTO EXCEDERÁ EL PRECIO DE COMPRA DEL PRODUCTO. SALVO DISPOSICIÓN LEGAL CONTRARIA, TODA GARANTÍA IMPLÍCITA, QUE INCLUYE LA DE COMERCIABILIDAD O IDONEIDAD PARA USO O PARA UN PROPÓSITO PARTICULAR, ESTÁ EXPRESAMENTE PROHIBIDA. ALGUNOS ESTADOS NO PERMITEN LIMITACIONES SOBRE LA DURACIÓN DE UNA GARANTÍA IMPLÍCITA, O LA EXCLUSIÓN O LIMITACIÓN DE DAÑOS INCIDENTALES O CONSECUENTES, POR ESO LA LIMITACIÓN Y EXCLUSIÓN ANTERIORES PUEDEN NO APLICARSE EN ESTE CASO.

TABLE DES MATIÈRES

Merci D'avoir Choisi TOTO!.....	16	Pièces incluses.....	17
Nettoyage.....	16	Procédure D'installation.....	18
Avertissements.....	16	Garantie.....	22
Avant L'installation.....	16	Dimensions Brutes.....	30
Outillage Nécessaires.....	17		

MERCI D'AVOIR CHOISI TOTO!

La mission de TOTO est de fournir au monde des modes de vie sains, hygiéniques et plus confortables. Nous concevons chaque produit avec l'équilibre entre la forme et la fonction comme principe directeur. Félicitations pour votre choix.

NETTOYAGE

Votre nouvelle douche est conçu pour des années de performance sans problème. Gardez l'aspect neuf en le nettoyant périodiquement avec un savon doux, en le rinçant abondamment à l'eau tiède et en le séchant avec un chiffon propre et doux. N'utilisez pas de nettoyeurs abrasifs, de laine d'acier ou de produits chimiques agressifs, car cela ternirait la finition. Le non-respect de ces instructions peut annuler votre garantie.

AVERTISSEMENTS

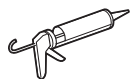
Pour un fonctionnement sûr du douche, veuillez observer ce qui suit:

- Pression de fonctionnement:
 - Pression minimum 20 psi (138 kPa), dynamique
 - Pression maximum 80 psi (551 kPa), statique
- Si vous soudez pendant l'installation, n'appliquez pas de chaleur excessive au corps de vanne. Une chaleur excessive peut endommager les joints internes et les composants en plastique.
- Veuillez ne pas utiliser cette vanne s'il y a une grande différence de pression entre les approvisionnements en eau chaude et en eau froide.
- La température d'alimentation en eau chaude ne doit pas dépasser 140°F (60°C).
- Ne pas utiliser le produit à une température ambiante inférieure à 32°F (0°C).
- N'inversez pas les entrées d'eau chaude et froide.
- Isolez le tuyau d'approvisionnement en eau chaude pour minimiser la perte de chaleur.
- Ne pas utiliser de la vapeur pour l'approvisionnement en eau chaude.
- Ne pas démonter la cartouche thermostatique.

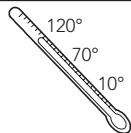
AVANT L'INSTALLATION

- Respectez tous les codes de plomberie locaux.
- Avant d'installer le douche, assurez-vous de bien rincer les tuyaux d'alimentation de la saleté et des débris.
- Assurez-vous que l'alimentation en eau est coupée à la vanne d'arrêt.
- Lisez attentivement ces instructions pour assurer une installation correcte.
- TOTO se réserve le droit de mettre à jour la conception du produit sans préavis.

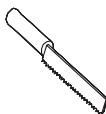
OUTILLAGE NÉCESSAIRES



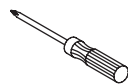
Mastic en silicone



Thermomètre



Scie à métaux

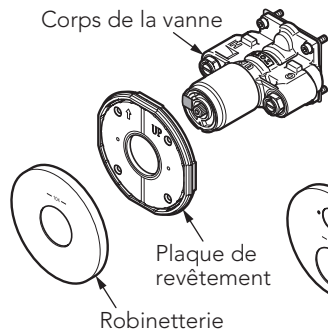


Tournevis

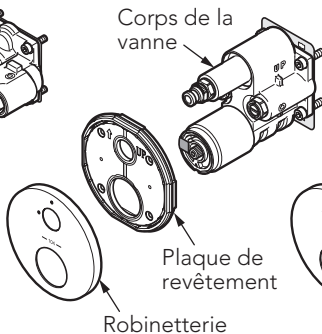
PIÈCES INCLUSES

■ Vérifiez que vous disposez bien des pièces indiquées ci-dessous:

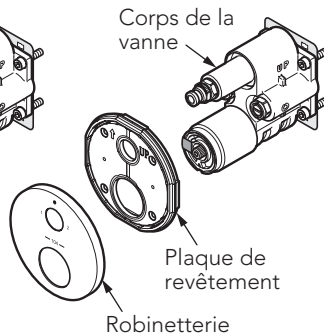
TBV01406



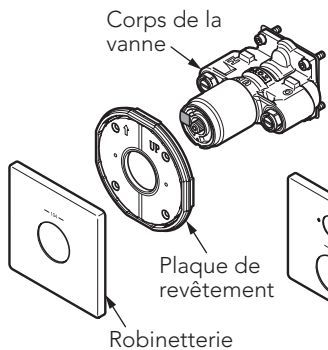
TBV01407



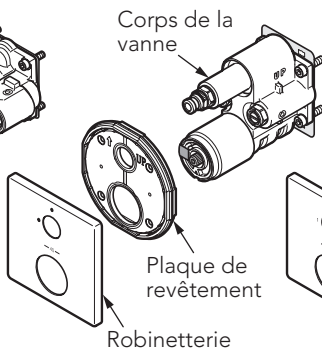
TBV01408



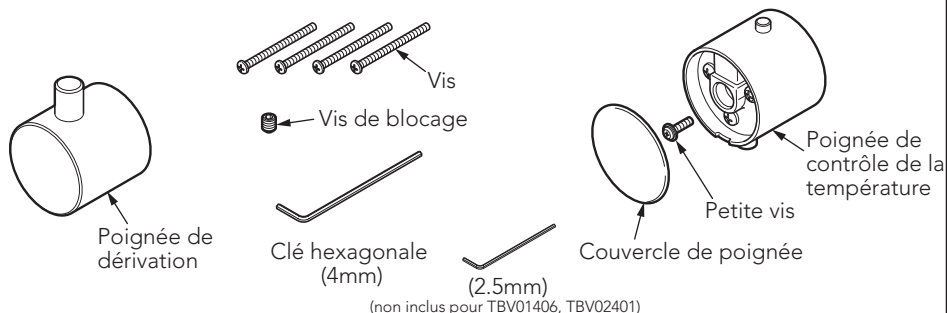
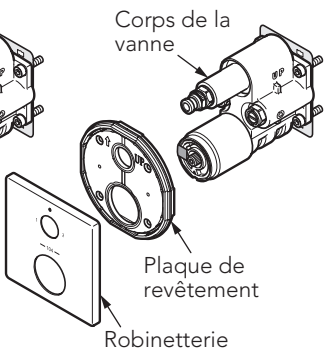
TBV02401



TBV02403



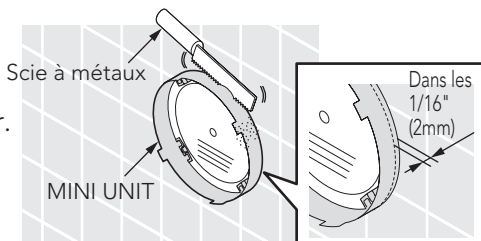
TBV02404



(non inclus pour TBV01406, TBV02401)

I. Préparer la zone d'installation

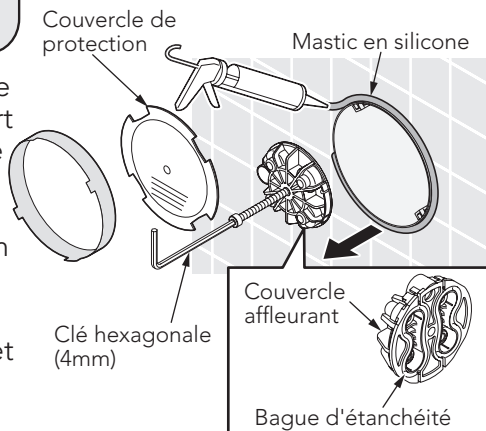
1. Utilisez une scie à métaux pour retirer la portion excessive de protecteur de plâtrage externe qui s'étend de la surface du mur. L'espace entre le bord convexe du protecteur de plâtrage externe et la surface du mur doit être de 1/16" (2mm) maximum.



AVERTISSEMENT :

- Gardez un bord net et assurez-vous qu'aucun bord n'est encastré dans la surface du mur lorsque vous enlevez le protecteur de plâtrage externe pour la valve.
- Lorsque vous coupez, le protecteur de plâtrage peut être égratigné, mais cela ne nuira pas au produit.

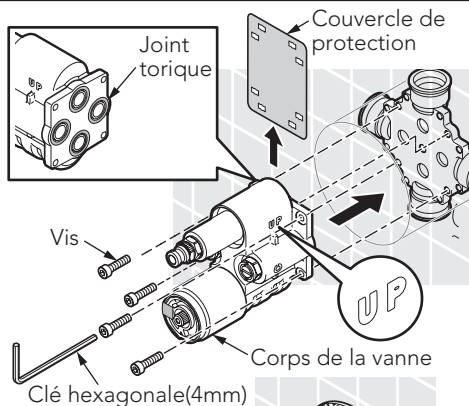
2. Appliquez du mastic en silicone uniformément et couvrez l'écart entre le protecteur de plâtrage externe et la surface du mur. Assurez-vous que l'adhésif est appliqué de façon égale et non pas convexe à la surface du mur.
3. Enlevez la couche protectrice et utilisez une clé hexagonale de (4mm - incluse) pour retirer le couvercle affleurant.



PROCÉDURE D'INSTALLATION

II. Installation : Vanne

1. Retirez la couche protectrice du corps de la vanne.
2. Assurez-vous que les joints toriques ne tombent pas.
3. Assurez-vous que l'étiquette « UP » (Haut) est bien orientée/lisible. Utilisez une clé hexagonale (4mm-incluse) pour serrer les vannes avec les vis fournies.



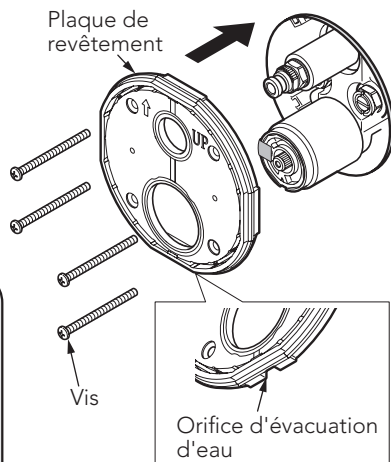
AVERTISSEMENT :

- Soyez prudent lors du retrait de la couche protectrice. Assurez-vous qu'aucun joint torique ou vis ne se perde.
- Assurez-vous que la vanne est orientée dans la bonne direction pendant l'installation.

Après l'installation

III. Installation : Robinetterie

1. Positionnez et insérez la plaque de revêtement conformément à l'étiquette « UP » (Haut) figurant sur le produit.
2. Utilisez un tournevis pour serrer manuellement les vis sur la plaque de revêtement.



AVERTISSEMENT :

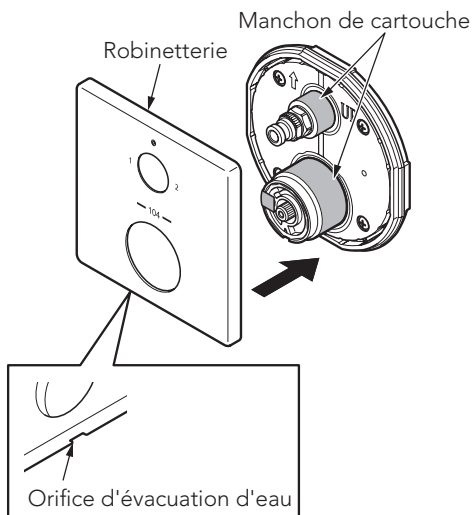
- Avant d'installer la plaque de revêtement, faites un test de pression et vérifiez que les deux vannes d'eau (CHAUDE et FROIDE) sont complètement ouvertes.
- Portez attention à la direction de la plaque de revêtement pendant l'installation. L'orifice d'évacuation d'eau se trouve au BAS de la plaque.
- N'APPLIQUEZ PAS de produit d'étanchéité à la plaque de revêtement, car cela pourrait bloquer l'orifice d'évacuation d'eau. La plaque de revêtement comprend une bande de scellement en mousse.
- Lorsque vous serrez les vis sur la plaque de revêtement, assurez-vous de compresser fermement. Il doit y avoir un écart entre la plaque de revêtement et la surface du mur.
- N'UTILISEZ PAS une clé électrique pour serrer les vis; celles-ci doivent être serrées manuellement.

PROCÉDURE D'INSTALLATION

- Alignez et insérez la robinetterie au travers du couvercle de manchon de la cartouche et par dessus la plaque de revêtement. Assurez-vous que l'orifice d'évacuation d'eau est orienté vers le bas.
- Gardez la robinetterie à 1/16" (1mm) de la surface du mur.

AVERTISSEMENT :

- N'ÉGRATIGNEZ PAS le manchon de cartouche lors de l'installation de la robinetterie.
- N'APPLIQUEZ PAS un mastic étanche autour de la robinetterie, car cela pourrait gêner l'orifice d'évacuation d'eau situé en dessous de la robinetterie.



FRANÇAIS

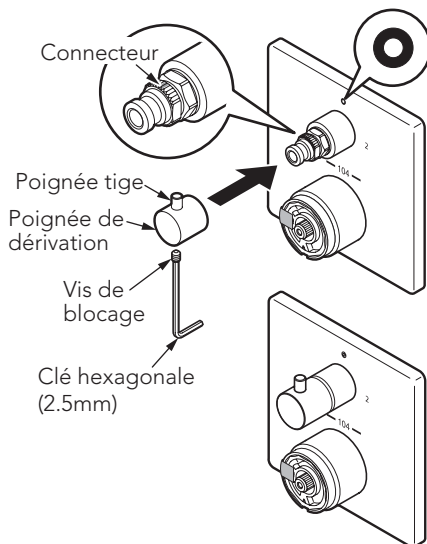
IV. Installation : Poignées

a. Poignée de dérivation

- Insérez la poignée de dérivation dans le connecteur orienté vers le haut. Utilisez une clé hexagonale (2,5mm) pour serrer les vis. Fixez la poignée.

AVERTISSEMENT :

- La poignée de dérivation doit être installée dans la position indiquée sur la robinetterie.
- La cartouche arrive fermée de l'usine.



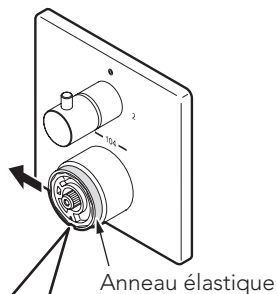
PROCÉDURE D'INSTALLATION

b. Installation : Poignée de contrôle de température

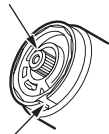
1. Vérifiez si l'anneau élastique est toujours attaché et que l'ouverture qui s'y trouve est orientée vers le bas.
2. Installez la poignée dans la cartouche et vérifiez si le bouton de sécurité et la marque « 104 » sur le panneau sont centrés.
3. Serrez les vis avec le tournevis.
4. Placez le couvre-poignée.

AVERTISSEMENT :

- Le paramètre d'usine pour la poignée de température d'eau est réglé à 104° F (40° C).
- L'anneau élastique s'ajuste à l'intérieur de la rainure de l'écrou.
- L'ouverture de l'anneau élastique est orientée vers le bas.

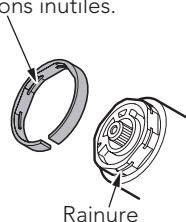


Cartouche de thermostat

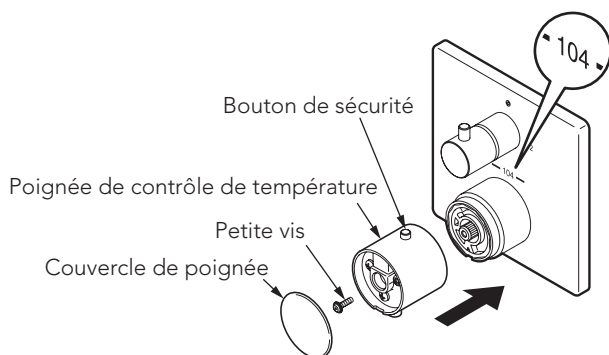
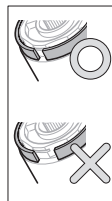


L'ouverture est orientée vers le bas

L'anneau élastique stabilise la fonctionnalité de la poignée de contrôle de température, minimisant les vibrations inutiles.

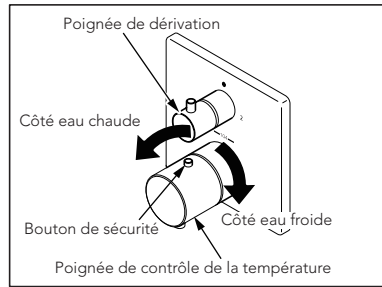


Rainure



Réglage de la température

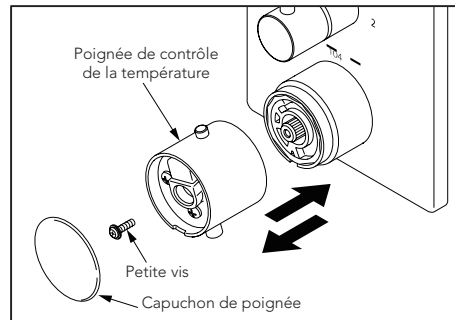
Pour diminuer la température, tourner la poignée de contrôle de température dans le sens des aiguilles d'une montre. Pour augmenter la température, tourner la poignée de contrôle de la température dans le sens contraire des aiguilles d'une montre.



Un bouton de sécurité est fourni pour éviter que l'eau chaude soit pulvérisée vers l'extérieur en raison d'une mauvaise utilisation. Si la température désirée est au-dessus de 40 °C (104 °F), tourner la poignée tout en appuyant sur le bouton de sécurité.

Réglage de la température maximale de sortie

Aligner le bouton de sécurité de la poignée de contrôle de la température avec le chiffre « 104 » sur la surface de la robinetterie.



Ouvrir l'eau et confirmer si la température de sortie est 40 °C (104 °F).

Sinon, ajuster la température de sortie de l'eau en suivant les étapes ci-dessous :

1. Pour diminuer la température : Retirer le couvre-poignée. Retirer la vis et tirer la poignée doucement. Tourner la poignée d'un cran dans le sens contraire des aiguilles d'une montre, puis la réinstaller sur la cartouche.

Pour augmenter la température : Retirer le couvre-poignée. Retirer la vis et tirer la poignée doucement. Tourner la poignée d'un cran dans le sens des aiguilles d'une montre, puis la réinstaller sur la cartouche.

2. Sécuriser la poignée avec la vis et installer le couvre-poignée.

3. Vérifier la température de l'eau.

**Répétez les étapes 1 à 3 si nécessaire.

Nettoyage des valves

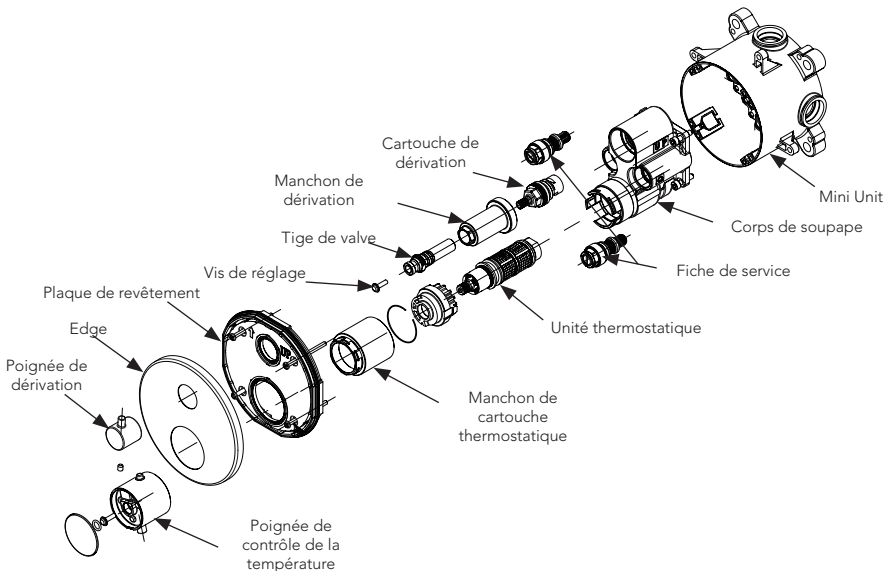
- Accéder au corps de la valve
 1. Retirer la poignée de contrôle de la température et la poignée de dérivation.
 2. Retirer la robinetterie et la plaque de revêtement.

- Pour nettoyer les filtres lors des arrêts de service
 1. Fermer l'alimentation de l'eau chaude et de l'eau froide.
 2. Retirer les unités d'arrêt de service.
 3. Rincer à l'eau le filtre de l'arrêt de service pour enlever tous les débris.

- Pour nettoyer le dispositif thermostatique et la cartouche de dérivation
 1. Fermer l'alimentation de l'eau chaude et de l'eau froide au niveau des arrêts de service.
 2. Retirer le manchon de la cartouche thermostatique avec une clé réglable. Pour retirer le dispositif thermostatique, insérer un tournevis à tête plate dans la fente du corps de la valve, puis le libérer en douceur.
 3. Retirer la vis de réglage, la tige de la valve et le manchon de la cartouche. Retirer l'écrou avec une clé à douille profonde de 17 mm.
 4. Une fois le dispositif thermostatique et la cartouche de dérivation retirées, nettoyer les écrans des filtres de le dispositif avec de l'eau et une brosse à dents, ou une autre brosse aux soies douces.

IMPORTANT!

Ne pas utiliser une brosse métallique, car elle pourrait endommager le dispositif.



GARANTIE

1. TOTO garantit que ses robinets de chasse électroniques, robinets et distributeurs de savon (« produit ») sont exempts de défauts de matériaux et de fabrication pendant l'utilisation normale lorsqu'il sont correctement installés et entretenus, pour une durée de trois (3) ans à partir de la date d'achat. Cette garantie limitée est seulement offerte à l'ACHETEUR ORIGINAL du produit et n'est pas transférable à un tiers, y compris mais non de façon limitative tout acheteur ou propriétaire ultérieur du produit. Cette garantie s'applique uniquement aux produits de TOTO achetés et installés en Amérique du Nord, Centrale et du Sud.
2. Les obligations de TOTO en vertu de cette garantie sont limitées à la réparation, au remplacement ou à l'ajustement approprié, à la discrétion de TOTO, du produit ou des pièces défectueuses pendant l'utilisation normale, à condition qu'un tel produit soit correctement installé, utilisé et entretenu selon les instructions. TOTO se réserve le droit d'effectuer toute inspection jugée nécessaire dans le but de déterminer la cause du défaut. TOTO ne facturera pas la main-d'oeuvre ou les pièces relatives à des réparations ou remplacements sous garantie. TOTO n'est pas responsable du coût du retrait, du retour et/ou de la réinstallation du produit.
3. Cette garantie ne s'applique pas aux éléments suivants :
 - a. Dommage ou perte résultant d'une catastrophe naturelle comme un incendie, un tremblement de terre, une inondation, la foudre, un orage électrique, etc.
 - b. Dommage ou perte résultant de tout accident, de toute utilisation non raisonnable, incorrecte, abusive ou négligente, ou de soins, de nettoyage ou d'entretien inappropriés du produit.
 - c. Dommage ou perte résultant des sédiments ou des corps étrangers présents dans un système de savon liquide.
 - d. Dommage ou perte résultant de l'installation inappropriée ou de l'installation du produit dans un environnement rude et/ou dangereux, ou le retrait, la réparation ou la modification inapproprié(e) du produit.
 - e. Dommage ou perte résultant de surtensions électriques, de la foudre ou d'autres actes qui ne constituent pas la faute de TOTO ou que le produit n'est pas conçu pour tolérer.
 - f. Dommage ou perte résultant de l'usure normale et habituelle, comme la réduction de la brillance, les rayures ou la décoloration au fil du temps dues à l'usure, les pratiques de nettoyage ou l'eau ou les conditions atmosphériques, y compris mais non de façon limitative, l'utilisation de javellisant, d'alcalis, de nettoyeurs acides, de nettoyeurs secs (en poudre) ou de tout autre nettoyant abrasif, ou l'utilisation de brosses en nylon ou en métal.
4. Pour que cette garantie limitée soit valide, une preuve d'achat est nécessaire. TOTO vous encourage à enregistrer la garantie à l'achat pour créer une trace de la propriété du produit à <http://www.totousa.com>. L'enregistrement du produit est complètement volontaire et le défaut d'enregistrement ne diminuera vos droits de garantie limitée.
5. CETTE GARANTIE VOUS DONNE DES DROITS LÉGAUX SPÉCIFIQUES. VOUS POURRIEZ AVOIR D'AUTRES DROITS VARIANT D'UN ÉTAT À L'AUTRE, D'UNE PROVINCE À L'AUTRE OU D'UN PAYS À L'AUTRE.
6. Pour obtenir une réparation sous garantie, vous devez emmener le produit ou le faire livrer en port payé à un centre de service TOTO avec une preuve d'achat (reçu d'achat original) et une lettre expliquant le problème, ou contacter un distributeur de TOTO ou un prestataire de service pour les produits, ou écrire directement à TOTO U.S.A., INC., 1155 Southern Road, Morrow, GA 30260 ou appeler (888) 295 8134 ou (678) 466-1300, si vous vous trouvez hors des États-Unis. S'il est impossible de retourner le produit à TOTO en raison de sa taille ou de la nature du défaut, la réception par TOTO d'un avis écrit du défaut accompagné de la preuve d'achat (reçu d'achat original) constitue la livraison. En pareil cas, TOTO pourrait choisir de réparer le produit sur le lieu où se trouve l'acheteur ou de payer le transport du produit vers un centre de service.

CETTE GARANTIE ÉCRITE CONSTITUE LA SEULE GARANTIE OFFERTE PAR TOTO. TOUTE RÉPARATION, TOUT REMPLACEMENT OU TOUT AUTRE AJUSTEMENT NÉCESSAIRE COUVERT PAR CETTE GARANTIE SERA LA SOLUTION EXCLUSIVE À LA DISPOSITION DE L'ACHETEUR ORIGINAL. TOTO N'EST PAS RESPONSABLE DE LA PERTE DU PRODUIT OU D'AUTRES DÉPENSES OU DOMMAGES ACCIDENTELS, PARTICULIERS OU CONSÉCUTIFS OCCASIONNÉS PAR L'ACHETEUR ORIGINAL, OU DE LA MAIN-D'ŒUVRE OU DES AUTRES FRAIS DUS À L'INSTALLATION OU AU RETRAIT, OU DES FRAIS DE RÉPARATION PAR DES TIERS, OU DE TOUTE AUTRE DÉPENSE QUI N'EST PAS EXPRESSÉMENT MENTIONNÉE CI-DESSUS. EN AUCUNE CIRCONSTANCE LA RESPONSABILITÉ DE TOTO NE SERA SUPÉRIEURE AU PRIX D'ACHAT DU PRODUIT. SAUF DANS LA MESURE OÙ CELA EST INTERDIT PAR LA LOI EN VIGUEUR, TOUTE GARANTIE IMPLICITE, Y COMPRIS CELLE DE VALEUR MARCHANDE OU D'ADAPTATION À UN USAGE OU UN EMPLOI PARTICULIER, EST EXPRESSÉMENT EXCLUE. CERTAINS ÉTATS N'AUTORISENT PAS DE LIMITATIONS SUR LA DURÉE DE LA GARANTIE IMPLICITE OU L'EXCLUSION OU LA LIMITATION DES DOMMAGES INDIRECTS OU CONSÉCUTIFS; IL EST DONC POSSIBLE QUE LA LIMITATION ET L'EXCLUSION SUSMENTIONNÉES NE S'APPLIQUENT PAS À VOUS.

TABELA DE CONTEÚDO

Obrigado por Escolher TOTO!.....	23	Peças incluídas.....	24
Cuidados e Limpeza.....	23	Procedimento de instalação.....	25
Advertências.....	23	Garantía.....	29
Antes da Instalação.....	23	Dimensões Aproximadas.....	30
Ferramentas que Voce Precisar.....	24		

OBRIGADO POR ESCOLHER TOTO!

A missão da TOTO é proporcionar ao mundo estilos de vida saudáveis, higiênicos e mais confortáveis. Nós projetamos todos os produtos com o equilíbrio da forma e funcionamos como um princípio orientador. Parabéns pela sua escolha.

CUIDADOS E LIMPEZA

Seu novo chuveiro foi projetado para anos de desempenho sem problemas. Mantenha-o novo, limpando-o periodicamente com sabão neutro, enxaguando bem com água morna e secando com um pano limpo e macio. Não use produtos de limpeza abrasivos, lãs de aço ou produtos químicos agressivos, pois isso suaviza o acabamento. O não cumprimento destas instruções pode anular a sua garantia

ADVERTÊNCIAS

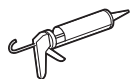
Para uma operação segura da chuveiro, observe o seguinte:

- Pressão de operação:
 - Pressão Mínima 20 psi (138 kPa), dinâmico
 - Pressão máxima 80 psi (551 kPa), estático
- Se você estiver soldando durante a instalação, não aplique calor excessivo no corpo da válvula. O excesso de calor pode danificar as vedações internas e os componentes plásticos.
- Não use essa válvula se houver uma grande diferença na pressão entre o fornecimento de água quente e o fornecimento de água fria.
- A temperatura da fonte de água quente não deve exceder 140°F (60°C).
- Não use o produto a uma temperatura ambiente abaixo de 32°F (0°C).
- Não inverta as entradas de água quente e de água fria.
- Isole o cano de fornecimento de água quente para minimizar a perda de calor.
- Não use vapor para o fornecimento de água quente.
- Não desmonte o cartucho termostático.

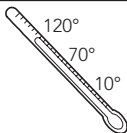
ANTES DA INSTALAÇÃO

- Observe todos os códigos locais de encanamento.
- Antes de instalar a chuveiro, certifique-se de esvaziar completamente os tubos de sujidade e detritos.
- Verifique se o fornecimento de água está desligado.
- Leia atentamente estas instruções para garantir uma instalação adequada. A TOTO reserva-se o direito de atualizar o design do produto sem aviso prévio.

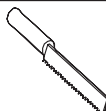
FERRAMENTAS QUE VOCE PRECISARA



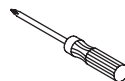
Calafetagem de silicone



Termômetro



Serra para metais

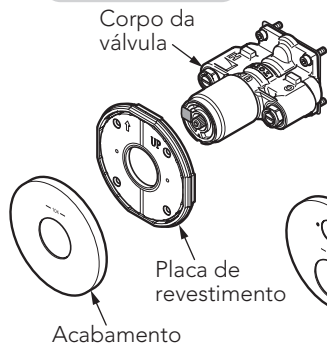


Chave de fenda

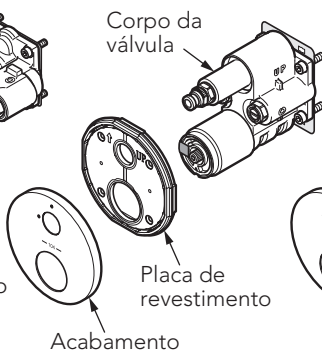
PEÇAS INCLUÍDAS

■ Certifique-se de ter as seguintes partes indicadas abaixo:

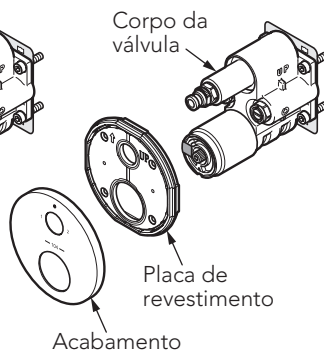
TBV01406



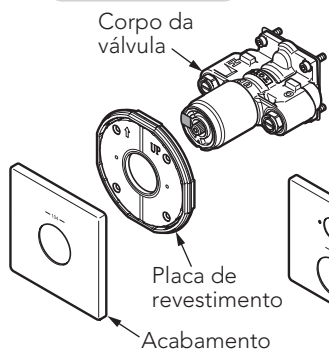
TBV01407



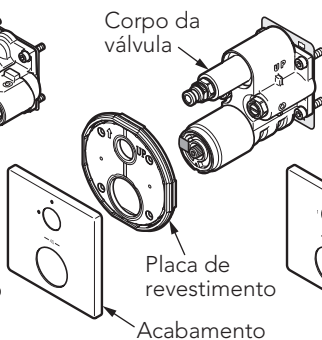
TBV01408



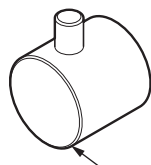
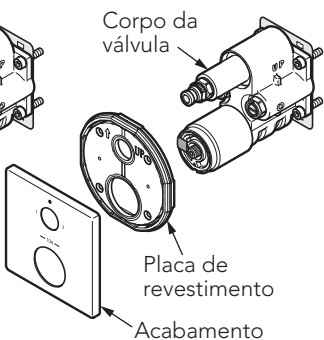
TBV02401



TBV02403



TBV02404



Alça de derivação



Parafuso



Parafuso de ajuste

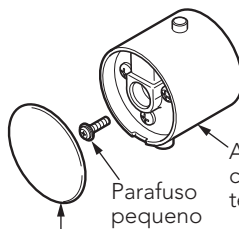


Chave hexagonal (4mm)



(2.5mm)

(não incluído para TBV01406, TBV02401)



Alavanca de controle de temperatura

Parafuso pequeno

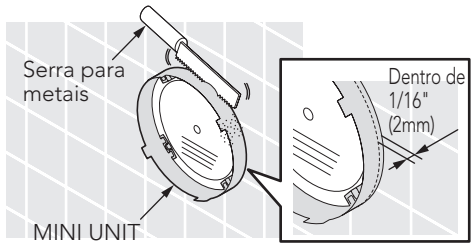
Capa da alça

PORTUGUÊS

PROCEDIMENTO DE INSTALAÇÃO

I. Preparando a área de instalação

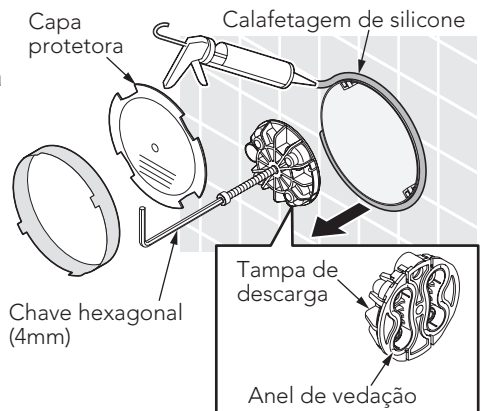
1. Use a serra para remover o excesso de gesso da proteção externa que se estende desde a superfície da parede. O espaço entre a borda convexa da proteção de gesso exterior e a superfície da parede precisa estar dentro de 1/16" (2mm).



ADVERTÊNCIA:

- Mantenha uma borda limpa e lembre-se de não deixar nenhuma aresta com reentrância na superfície da parede ao remover a proteção externa de gesso para a válvula.
- Ao cortar, o protetor de gesso pode ficar arranhado, isso não afeta negativamente o produto.

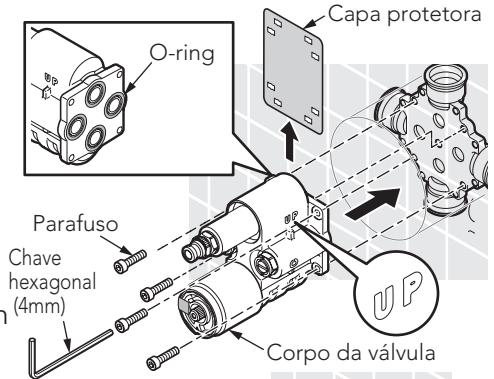
2. Aplique vedante de silicone de forma uniforme e cubra o espaço entre a proteção externa de gesso e a superfície da parede. lembre-se de verificar que o adesivo seja aplicado uniformemente e não no sentido convexo na superfície da parede.
3. Remova a tampa protetora e use uma chave hexagonal de (4mm - incluída) para remover a tampa de descarga.



PROCEDIMENTO DE INSTALAÇÃO

II. Instalação: Válvula

1. Remova a tampa protetora do corpo da válvula.
2. Lembre-se de verificar se os O-Rings não caem.
3. Verifique se o rótulo "UP" está voltado/leitura correta. Use a chave hexagonal (4mm - incluída) para apertar as válvulas com os parafusos fornecidos.



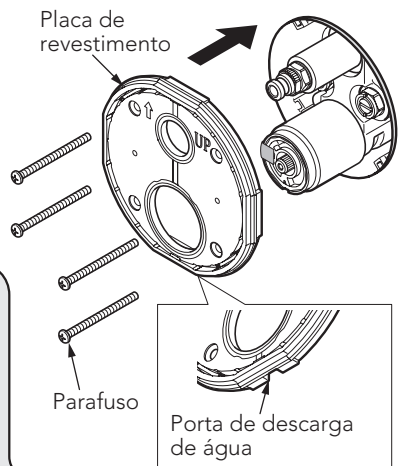
ADVERTÊNCIA:

- Tenha cuidado ao remover a tampa protetora. Certifique-se de que nenhum O-rings ou parafusos se percam.
- Certifique-se de que a válvula esteja voltada para a direção correta durante a instalação.

Depois da instalação

III. Instalação : Acabamento

1. Posicione e insira a placa de revestimento de acordo com a etiqueta "UP" no produto.
2. Use uma chave de fenda para apertar manualmente os parafusos na placa do forro.



ADVERTÊNCIA:

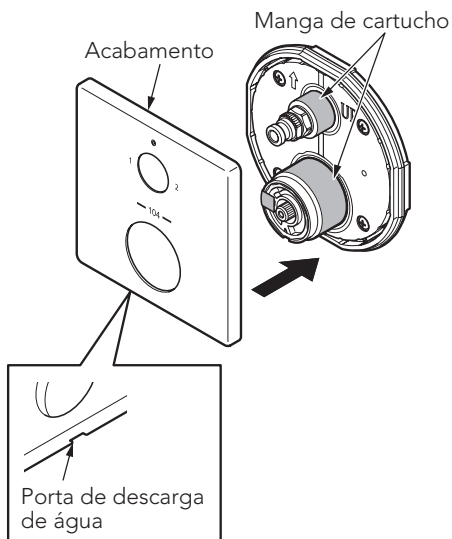
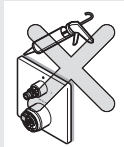
- Antes de instalar a placa de revestimento, efetue um teste de pressão e verifique se ambas as válvulas de água (QUENTES e FRIAS) estão completamente abertas.
- Preste atenção na direção da placa de revestimento ao instalar. A porta de descarga de água está localizada na PARTE INFERIOR da placa.
- NÃO aplique vedante na placa de revestimento, pois isso pode bloquear a porta de descarga de água. A placa de revestimento inclui uma tira de vedação de espuma.
- Ao apertar os parafusos na placa do forro, lembre-se de comprimir firmemente. Não deve haver espaço entre a placa de revestimento e a superfície da parede.
- NÃO use uma chave elétrica para apertar os parafusos, eles devem ser apertados manualmente.

PROCEDIMENTO DE INSTALAÇÃO

3. Alinhe e insira a guarnição através da tampa da manga do cartucho e sobre a placa do forro. Verifique se a porta de descarga de água está voltada para baixo.
4. Mantenha a guarnição dentro de 1/16" (1 mm) da superfície da parede.

ADVERTÊNCIA:

- NÃO arranhe a manga do cartucho ao instalar a acabamento.
- NÃO aplique vedante impermeável ao redor da guarnição, pois isso pode interferir com a porta de descarga de água localizada abaixo da guarnição.



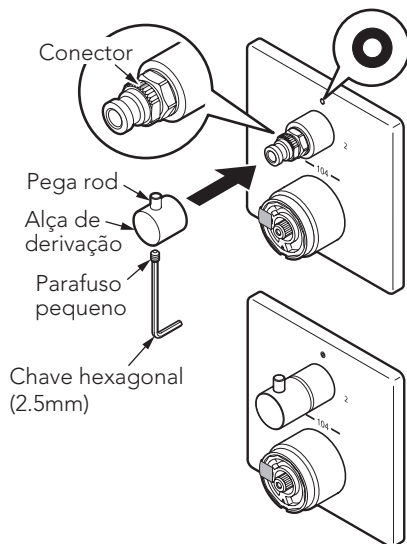
IV. Instalação: Alças

a. Alça de derivação

1. Insira o manípulo alça de derivação no conector voltado para cima. Use uma chave hexagonal (2,5 mm) para apertar os parafusos. Proteja o identificador.

ADVERTÊNCIA:

- A alça de derivação deve ser instalada na posição indicada na guarnição.
- O cartucho vem fechado de fábrica.



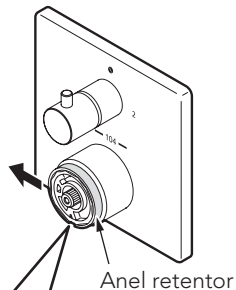
PROCEDIMENTO DE INSTALAÇÃO

b. INSTALAÇÃO: Alavanca de controle de temperatura

1. Verifique se o anel retentor ainda está ligado e se a abertura está voltada para baixo.
2. Instale a alça no cartucho e verifique se o botão de segurança e a marca "104" no painel estão centrados.
3. Aperte os parafusos com uma chave de fenda.
4. Coloque a tampa da alça.

ADVERTÊNCIA:

- O ajuste de fábrica para a alavanca de temperatura da água é ajustado a 104°F (40°C).
- A pressão do anel retentor se encaixa no sulco da porca.
- A abertura do anel retentor é voltada para baixo.

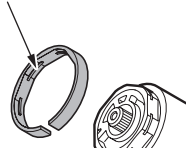


Cartucho de termóstato

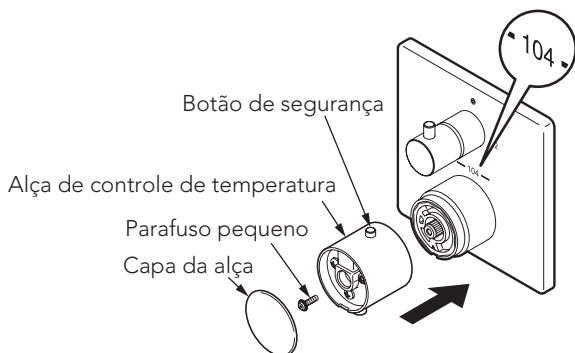
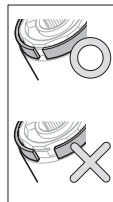


A abertura está voltada para baixo

O anel retentor estabiliza a funcionalidade da alça de controle de temperatura, minimizando as vibrações desnecessárias.



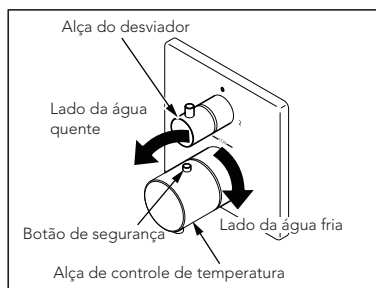
Sulco



Ajuste da temperatura

Para diminuir a temperatura, gire a alça de controle da temperatura no sentido horário. Para aumentar a temperatura, gire a alça de controle da temperatura no sentido anti-horário.

Um botão de segurança é fornecido para evitar que a água quente espirre devido ao mau uso. Se a temperatura da água desejada for superior a 40 °C (104 °F), gire a alça enquanto pressiona o botão de segurança.

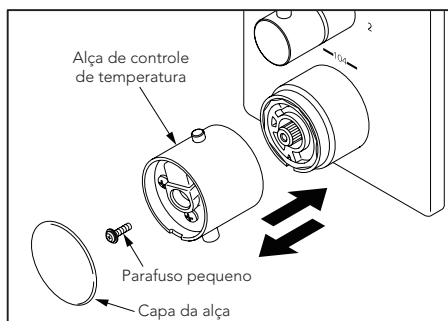


Ajuste da temperatura máxima de saída

Alinhe o botão de segurança na alça de controle da temperatura com "104" na superfície do acabamento.

Ligue a água e confirme se a temperatura de saída está a 40 °C (104 °F).

Caso contrário, ajuste a temperatura de saída da água seguindo as etapas abaixo:



1. Para reduzir a temperatura:
Remova a tampa da alça.
Remova o parafuso e puxe a alça lentamente. Gire a alça em um entalhe no sentido anti-horário e recoloca no cartucho.

Para aumentar a temperatura:
Remova a tampa da alça.
Remova o parafuso e puxe a alça lentamente. Gire a alça em um entalhe no sentido horário e recoloca no cartucho.

2. Prenda a alça com o parafuso e instale a tampa.
3. Verifique a temperatura da água.

**Repita as etapas de 1 a 3, se necessário.

Limpeza das válvulas

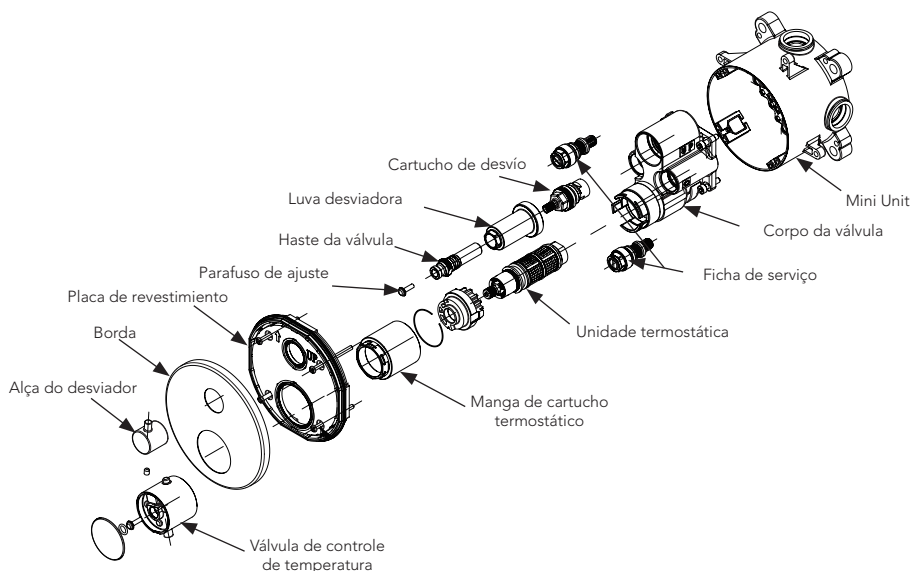
- Acesso ao corpo da válvula
 1. Remova a alça de controle da temperatura e a alça de derivação.
 2. Remova o acabamento e a placa do revestimento.

- Para limpar filtros em paradas de serviço
 1. Desligue o fornecimento principal de água quente e fria.
 2. Remova a unidade de parada de serviço.
 3. Enxágue o filtro em água para remover qualquer detrito na parada de serviço.

- Para limpar a unidade termostática e o cartucho de derivação
 1. Desligue o fornecimento de água quente e fria nas paradas de serviço.
 2. Remova a luva do cartucho termostático com uma chave ajustável. Para remover a unidade termostática, insira a chave de fenda na ranhura do corpo da válvula e solte-a com cuidado.
 3. Remova o parafuso de fixação, a haste da válvula e a luva do derivador. Remova o cartucho de derivação com uma chave Allen de 17 mm.
 4. Depois de remover a unidade termostática e o cartucho de derivação, limpe-os usando água e uma escova de dentes, ou uma escova de cerdas suaves semelhante, nas telas do filtro da unidade.

IMPORTANTE!

Não use uma escova metálica ou de aço, pois isso pode danificar a unidade.



GARANTIA

TOTO DO BRASIL DISTRIBUIÇÃO E COMÉRCIO, LTDA.
GARANTIA LIMITADA DE TRÊS ANOS

A garantia se aplica somente às Válvulas de Descarga Eletrônicas, Torneiras e Distribuidores de Sabão.

1. A TOTO garante suas válvulas de descarga eletrônicas, torneiras e dispensadores de sabão ("Produto") contra defeitos de material e de fabricação durante o uso normal quando instalados e submetidos à manutenção adequada, por um período de três (3) anos à partir da data da compra. Esta garantia limitada é estendida apenas ao COMPRADOR ORIGINAL do Produto e não é transferível a terceiros, incluindo, mas não limitado a, qualquer comprador ou proprietário subsequente do Produto. Esta garantia se aplica somente a Produtos da TOTO comprados e instalados no Brasil.
2. As obrigações da TOTO sob esta garantia estão limitadas a reparos, substituições ou outros ajustes apropriados, a critério da TOTO, do Produto ou de peças que apresentem defeitos durante o uso normal, contanto que tal Produto tenha sido instalado, usado e submetido à manutenção adequada de acordo com as instruções. A TOTO se reserva o direito de realizar tais inspeções conforme necessário para determinar a causa do defeito. A TOTO não cobrará pela mão de obra ou por peças relacionadas a reparos ou substituições em garantia. A TOTO não é responsável pelo custo de remoção, devolução e/ou reinstalação do Produto.
3. Esta garantia não se aplica aos seguintes itens:
 - a. Danos ou perdas sofridos em desastres naturais como incêndios, terremotos, enchentes, trovoadas, tempestades elétricas etc.
 - b. Danos ou perdas resultantes de quaisquer acidentes, uso excessivo, uso indevido, abuso, negligência ou de cuidados, limpeza ou manutenção inadequada do Produto.
 - c. Danos ou perdas resultantes de sedimentos ou corpos estranhos contidos em um sistema hidráulico.
 - d. Danos ou perdas resultantes de instalação inadequada ou instalação do Produto em um ambiente severo e/ou de risco, ou de remoção, reparos ou modificações inadequados do Produto, o que inclui o uso de componentes não originais da TOTO.
 - e. Danos ou perdas resultantes de oscilações de energia ou quedas de raios ou outros atos que não sejam de responsabilidade da TOTO ou os quais o Produto não seja especificado para suportar.
 - f. Danos ou perdas resultantes do desgaste normal e habitual, como redução do brilho, arranhões ou desbotamento ao longo do tempo devido ao uso, práticas de limpeza ou água ou condições atmosféricas, incluindo, mas não limitados a, o uso de alvejantes, álcali, limpadores ácidos, limpadores a seco (pó) ou quaisquer outros limpadores abrasivos ou o uso de esponjas de metal ou nylon.

Para obter o serviço de reparos da garantia sob esta garantia, por favor envie um e-mail para suporte@br.to-to.com para obter instruções sobre como proceder com sua reivindicação. Você pode ser instruído a (1) levar o Produto ou fazer a entrega pré-paga a um prestador de serviços da TOTO juntamente com o comprovante de compra (recibo de compra original) e uma carta declarando o problema ; (2) entrar em contato com um distribuidor ou prestador de serviços de produtos da TOTO; ou (3) se, devido ao tamanho do Produto ou natureza do defeito, o Produto não puder ser devolvido a um centro de assistência autorizada da TOTO, a TOTO pode optar por reparar o Produto no local do comprador ou pagar pelo transporte do Produto para uma prestadora de serviços.

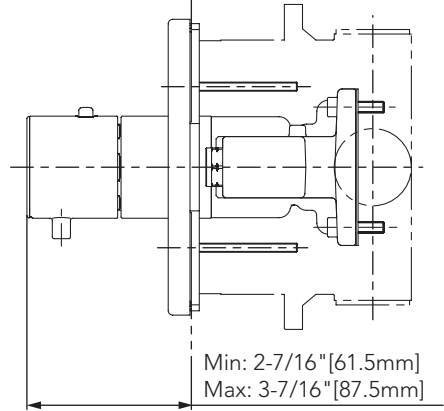
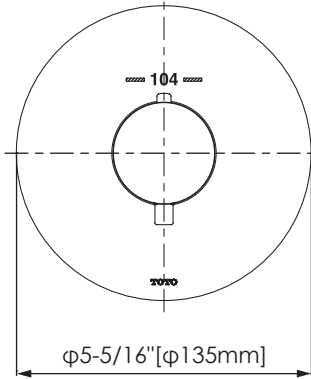
ATENÇÃO! A TOTO não é responsável por qualquer defeito de, ou dano a, esse Produto causado por cloraminas no tratamento do fornecimento público de água ou limpadores contendo cloro (hipoclorito de cálcio). **ATENÇÃO:** O uso de alta concentração de cloro graves.

ESTA GARANTIA POR ESCRITO É A ÚNICA GARANTIA FEITA PELA TOTO. REPAROS, SUBSTITUIÇÕES OU OUTROS AJUSTES APROPRIADOS CONFORME FORNECIDOS SOB ESTA GARANTIA SERÃO O ÚNICO RECURSO DISPONÍVEL AO COMPRADOR ORIGINAL. A TOTO NÃO SERÁ RESPONSÁVEL PELA PERDA DO PRODUTO OU POR OUTROS DANOS OU GASTOS INCIDENTAIS, ESPECIAIS OU CONSEQUENTES INCORRIDOS PELO COMPRADOR ORIGINAL OU POR CUSTOS DE MÃO DE OBRA OU OUTROS DEVIDO À INSTALAÇÃO OU REMOÇÃO, OU CUSTOS DE REPAROS FEITOS POR TERCEIROS, OU POR QUALQUER OUTRO GASTO NÃO DECLARADO ESPECIFICAMENTE ACIMA. EM NENHUM CASO A RESPONSABILIDADE DA TOTO EXCEDERÁ O PREÇO DE COMPRA DO PRODUTO. EXCETO QUANTO À EXTENSÃO PROIBIDA POR LEI APLICÁVEL, QUAISQUER GARANTIAS IMPLÍCITAS, INCLUINDO A DE COMERCIALIZAÇÃO OU ADEQUAÇÃO PARA USO OU PARA UMA FINALIDADE ESPECÍFICA, SÃO EXPRESSAMENTE ISENTAS. ALGUNS PAÍSES, REGIÕES, ESTADOS ETC. NÃO PERMITEM LIMITAÇÕES SOBRE A DURAÇÃO DE UMA GARANTIA IMPLÍCITA OU A EXCLUSÃO OU LIMITAÇÃO DE DANOS INCIDENTAIS OU CONSEQUENTES, PORTANTO, A LIMITAÇÃO E A EXCLUSÃO ACIMA PODEM NÃO SE APLICAR A VOCÊ.

**ROUGH-IN DIMENSIONS / DIMENSIONES PRELIMINARES /
DIMENSIONS BRUTES / DIMENSÕES APROXIMADAS**

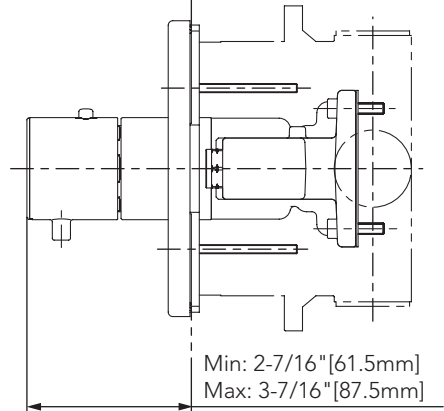
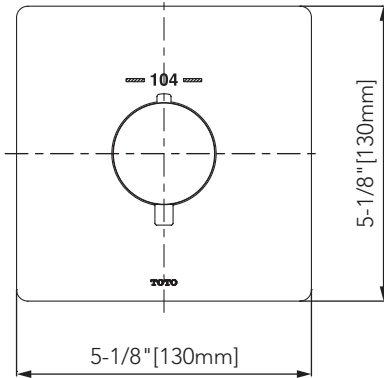
TBV01406

Finished wall surface
Superficie de la pared acabada
Surface de mur finie
Superficie de parede acabada



TBV02401

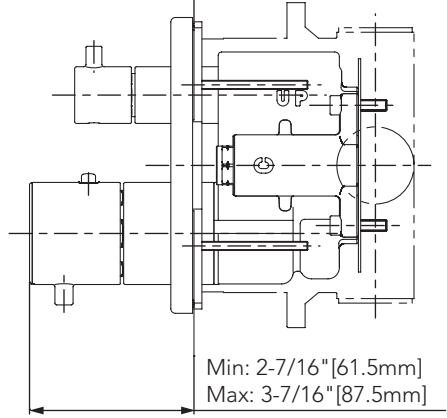
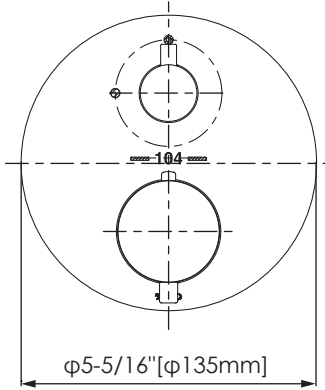
Finished wall surface
Superficie de la pared acabada
Surface de mur finie
Superficie de parede acabada



**ROUGH-IN DIMENSIONS / DIMENSIONES PRELIMINARES /
DIMENSIONS BRUTES / DIMENSÕES APROXIMADAS**

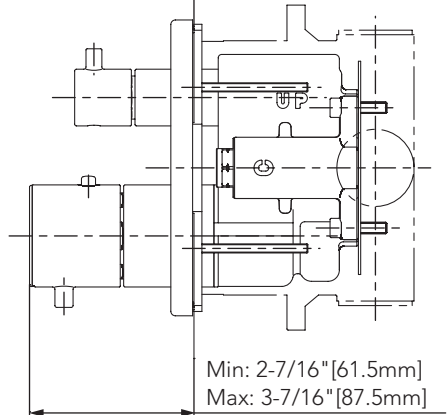
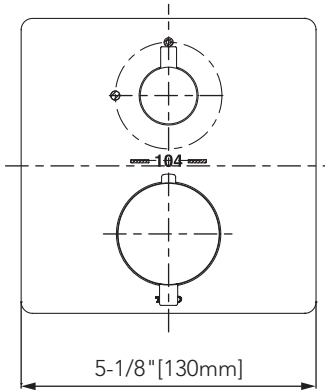
TBV01407

Finished wall surface
Superficie de la pared acabada
Surface de mur finie
Superficie de parede acabada



TBV02403

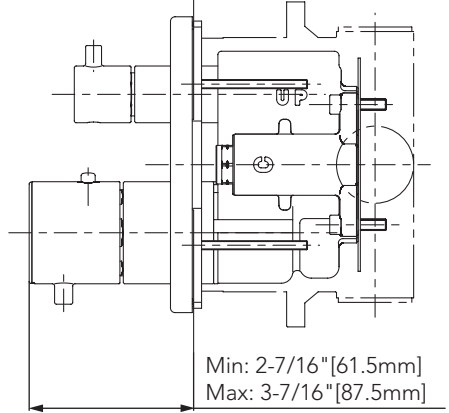
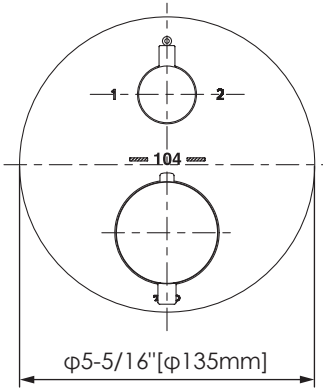
Finished wall surface
Superficie de la pared acabada
Surface de mur finie
Superficie de parede acabada



**ROUGH-IN DIMENSIONS / DIMENSIONES PRELIMINARES /
DIMENSIONS BRUTES / DIMENSÕES APROXIMADAS**

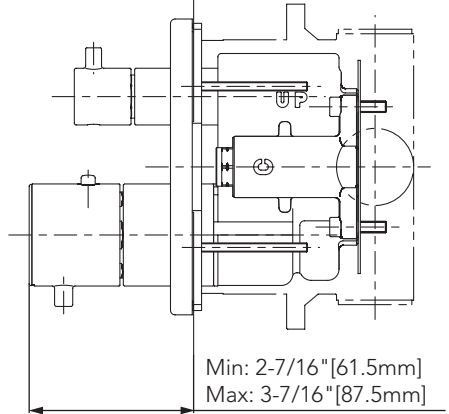
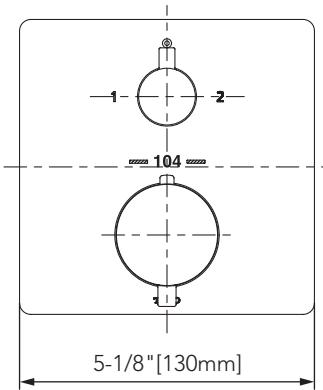
TBV01408

Finished wall surface
Superficie de la pared acabada
Surface de mur finie
Superficie de parede acabada



TBV02404

Finished wall surface
Superficie de la pared acabada
Surface de mur finie
Superficie de parede acabada



MEMO

MEMO

MEMO

TOTO

TOTO U.S.A., Inc. 1155 Southern Road,
Morrow, Georgia 30260
Tel: 888-295-8134 Fax: 800-699-4889
www.totousa.com

0GU4282
Rev A



Warranty Registration and Inquiry

For product warranty registration, TOTO U.S.A. Inc. recommends online warranty registration. Please visit our web site <http://www.totousa.com>. If you have questions regarding warranty policy or coverage, please contact TOTO U.S.A. Inc., Customer Service Department, 1155 Southern Road, Morrow, GA 30260 (888) 295-8134 or (678) 466-1300 when calling from outside of U.S.A.