

Location:



# Showerhead 442SH Specification Submittal

## Model Numbers

- 442SH Showerhead

## Options / Modifications

Append appropriate -suffix to model number.

- CG** -1.5 1.5 (5.7 L/min) Flow rate restrictor
- 2.0 2.0 (7.6 L/min) Flow rate restrictor
- VP Vandal resistant

## Finish Options / Modifications

Append appropriate -suffix to model number.

- STN Satin nickel finish
- Polished chrome finish (standard finish)

## Feature Highlights

- 3 inch showerhead
- Three mode, spray jet and pulse
- Polished chrome finish (standard)

## Standards / Certifications

ASME A112.18.1/CSA B125.1

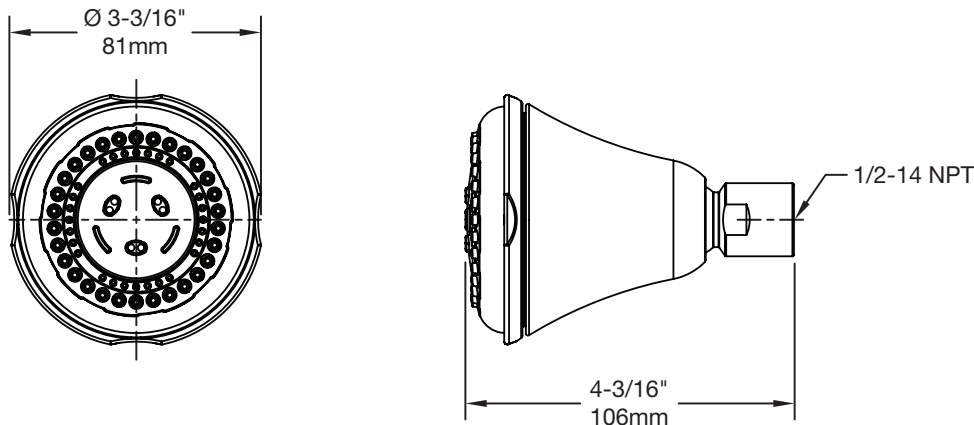
WaterSense 1.5 gpm (5.7 L/min)  
2.0 gpm (7.6 L/min)



## Warranty

- Limited Lifetime - to the original end purchaser in consumer installations.
- 5 years - for commercial installations

## Dimensions Showerhead, 442SH



**Note:** Dimensions subject to change without notice.

Symmons Industries, Inc. ■ 31 Brooks Drive ■ Braintree, MA 02184  
Phone: (800) 796-6667 ■ Fax: (800) 961-9621  
Website: symmons.com ■ Email: gethelp@symmons.com

Copyright © 2018 Symmons Industries, Inc. ZV-1838 REV A ■ 032018

