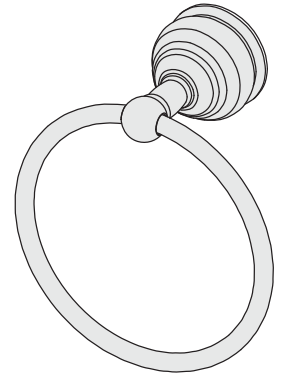


Location:



# Towel Ring 473TR

## Specification Submittal



### Model Numbers

- 473TR Towel ring

### Feature Highlights

- Metal construction
- Standard finish is polished chrome

### Finish Options

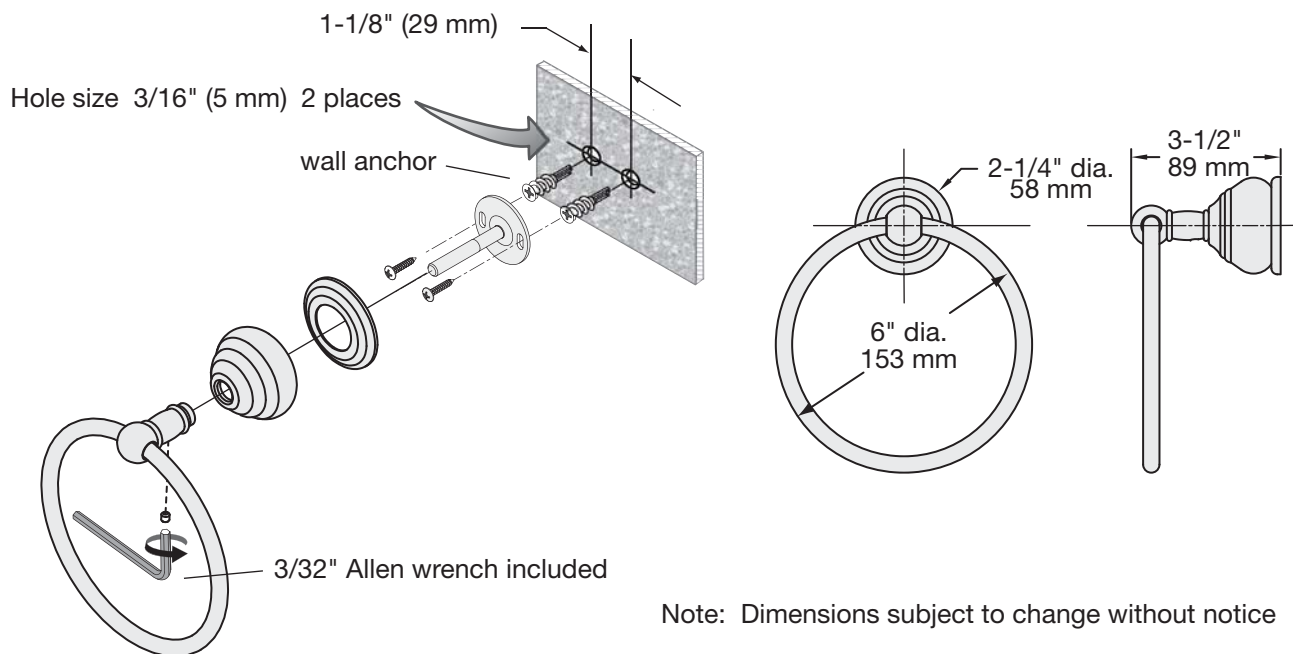
Append appropriate -suffix to model number.

- STN Satin nickel finish
- Polished chrome (standard finish)

### Warranty

- Limited Lifetime - to the original end purchaser in consumer installations.
- 5 years - for commercial installations

### Dimensions Allura Towel Ring 473TR



Symmons Industries, Inc. ■ 31 Brooks Drive ■ Braintree, MA 02184  
(800) 796-6667, (781) 848-2250 ■ Fax (800) 961-9621, (781) 664-1300  
Website: [www.symmons.com](http://www.symmons.com) ■ Email: [customerservice@symmons.com](mailto:customerservice@symmons.com)

©2009 Symmons Industries, Inc. Printed in U.S.A. ■ 060109

