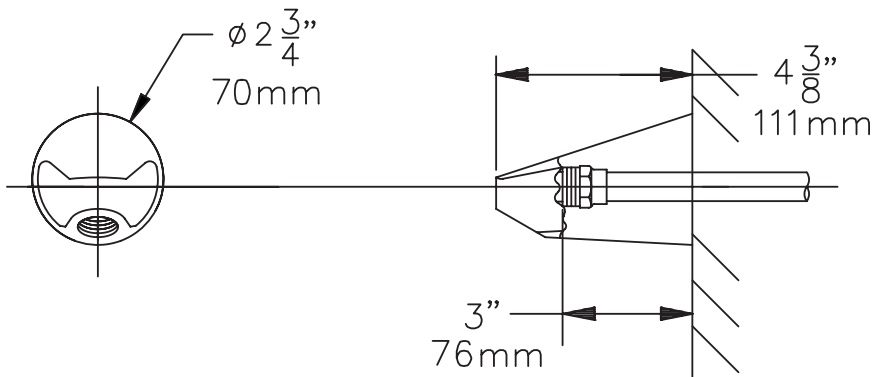
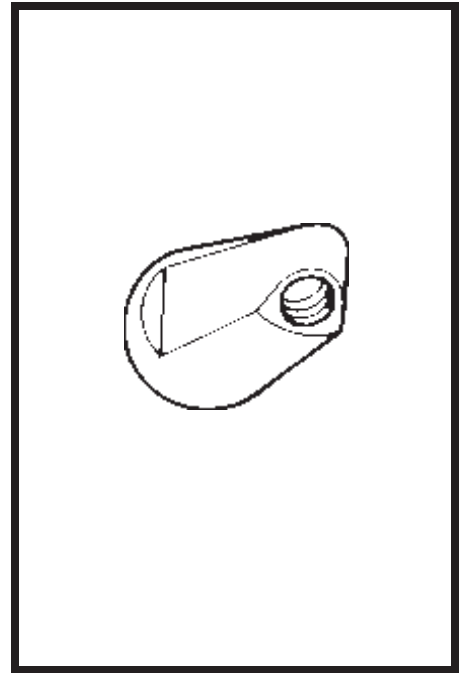


301 NU-Arm Head Bracket



Job/Location

.....

Engineer

.....

Contractor

.....
