



# SYMMONS® Naru®

## Hand Shower Wand 412W

### Specification Submittal



#### Model Numbers

- 412W Hand Shower Wand

#### Finish Options

*Append appropriate -suffix to model number.*

- CG** -1.5 1.5 gpm (5.7 L/min) flow restrictor
- BBZ Brushed Bronze finish
- STN Satin nickel finish
- PNL Polished nickle finish
  - Polished chrome finish (standard)

#### Feature Highlights

- Three mode hand shower wand
- Metal construction with polished chrome finish

#### Standards / Certifications

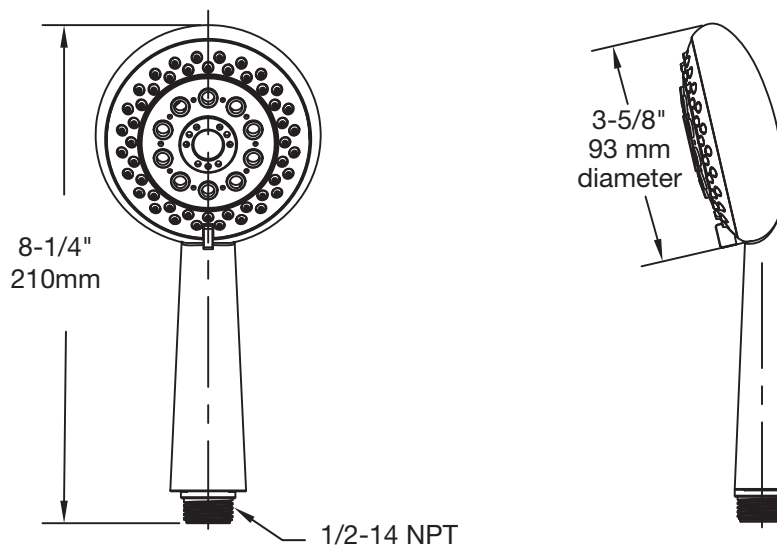
ASME A112.18.1/CSA B125.1



#### Warranty

- Limited Lifetime - to the original end purchaser in consumer installations.
- 5 years - for commercial installations

### Dimensions *Naru Hand Shower Wand, 412W*



**Note:** *Dimensions subject to change without notice.*

Symmons Industries, Inc. ■ 31 Brooks Drive ■ Braintree, MA 02184  
 Phone: (800) 796-6667 ■ Fax: (800) 961-9621  
 Website: symmons.com ■ Email: gethelp@symmons.com

Copyright © 2018 Symmons Industries, Inc. ■ ZV-1141 REV B ■ 050418



**SYMMONS®**  
the smart choice™