



# SYMMONS® Allura®

## Roman Tub Faucet SRT-4770

### Installation and Service Instructions



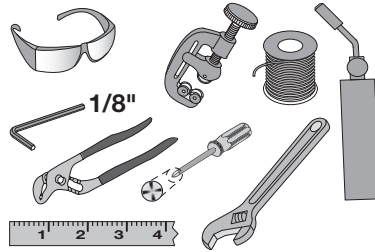
#### Model Numbers

SRT-4770..... Chrome finish  
 SRT-4770-STN ..... Satin Nickel finish


#### Compliance

ASME A112.18.1/CSA B125.1 

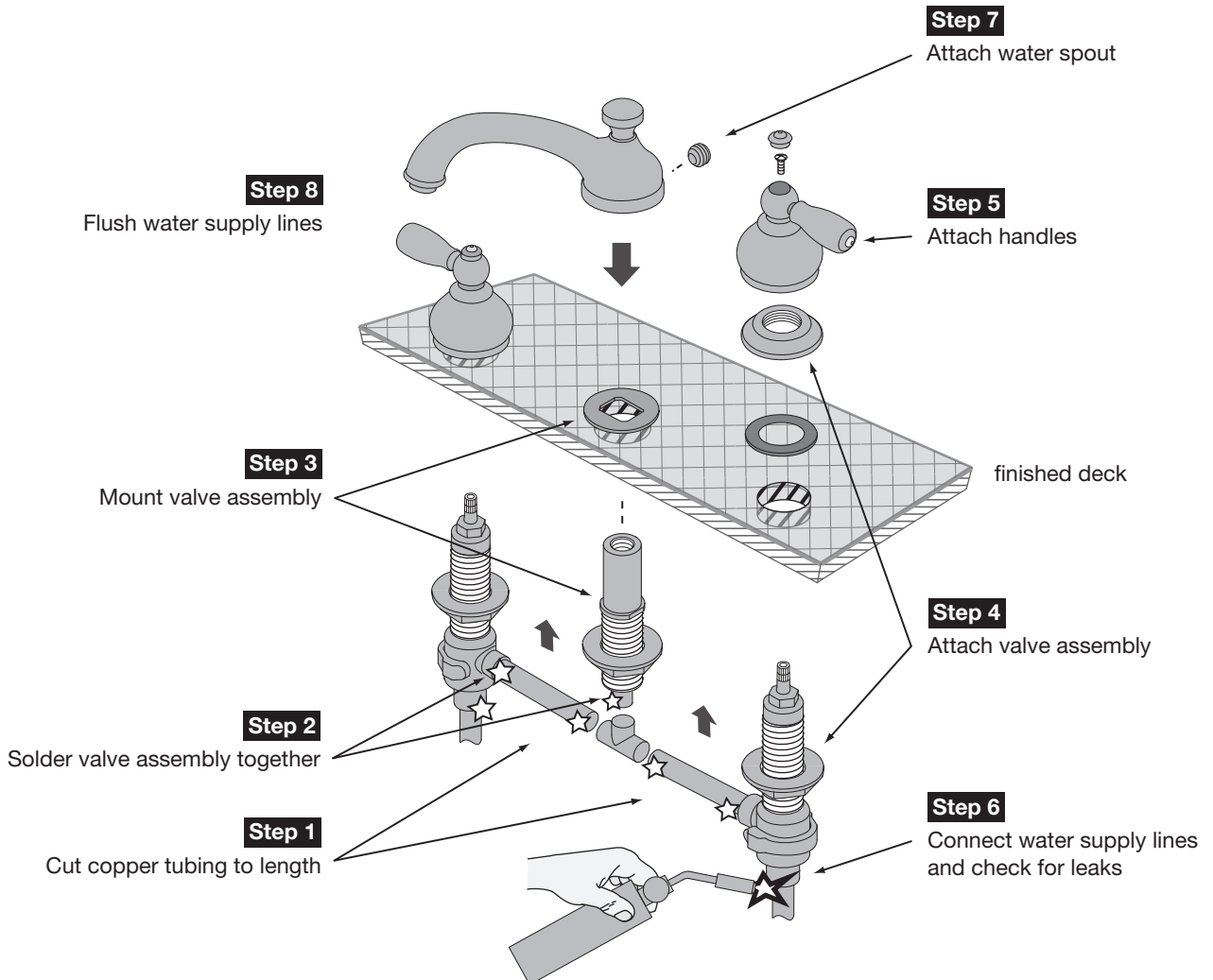
#### Tools & Materials



#### ☎ Need Help?

Symmons customer service:  
 Phone: (800) 796-6667  
 Email: [gethelp@symmons.com](mailto:gethelp@symmons.com)  
 Monday - Friday 7:30 am - 6:00 pm EST  
[www.symmons.com/service](http://www.symmons.com/service) 

### Quick Install Guide *Allura Roman Tub Faucet, SRT-4770*



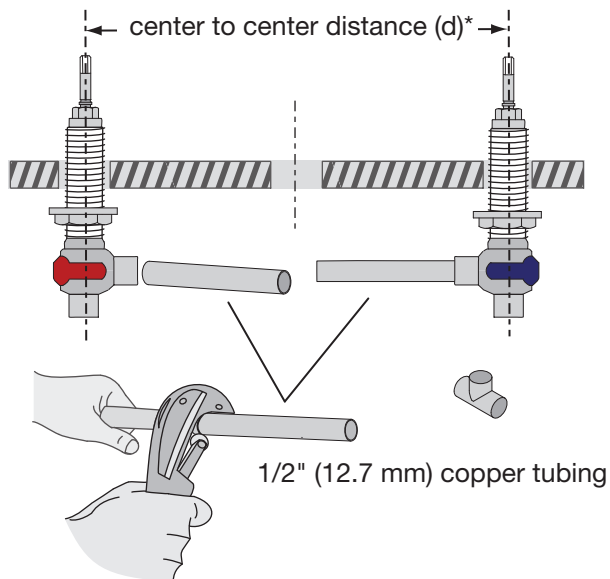
**⚠ WARNING:** This product can expose you to chemicals including lead, which is known to the state of California to cause cancer, birth defects, or other reproductive harm. For more information, go to [www.P65Warnings.ca.gov](http://www.P65Warnings.ca.gov).

# Installation Instructions

**Caution:** If replacing an older faucet ensure water supply is turned OFF before removing and then turn faucet handles ON to relieve water pressure.

## Step 1 Cut copper tubing to length

Length = (d) minus 2-1/4 inches (57 mm) divided by 2.

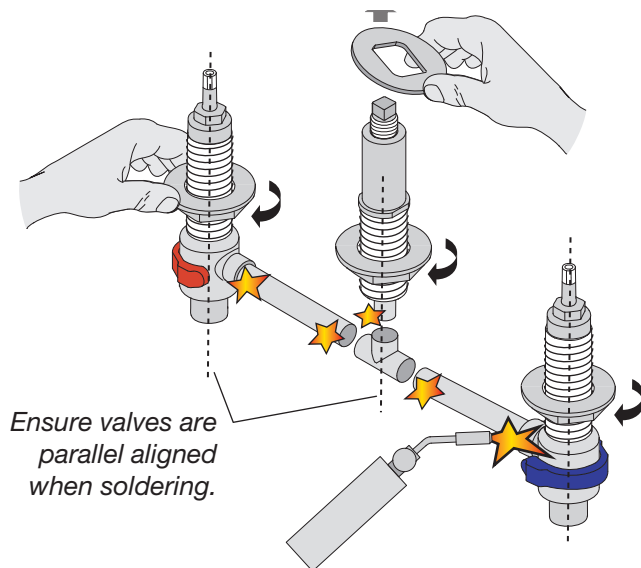


*Example:*

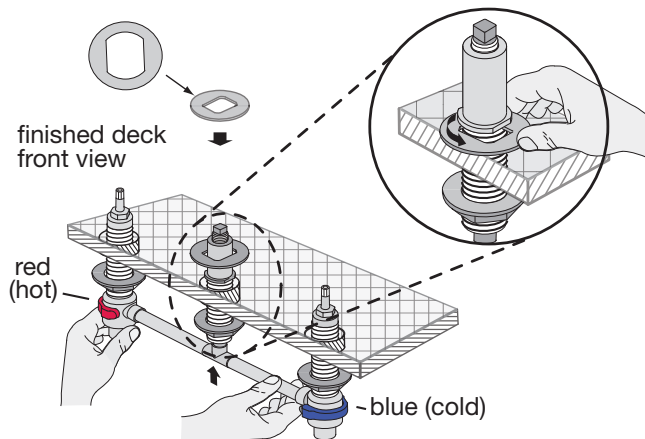
- If center to center distance (d) is 14 inches.
- 14 inches minus 2-1/4 inches = 11-3/4 inches.
- 11-3/4 inches divided by 2 = 5-7/8 inches.
- Cut 2 copper tubes into 5-7/8 inch lengths.

\* Maximum distance (d) with supplied copper tubing is 18-1/4 inches (463 mm)

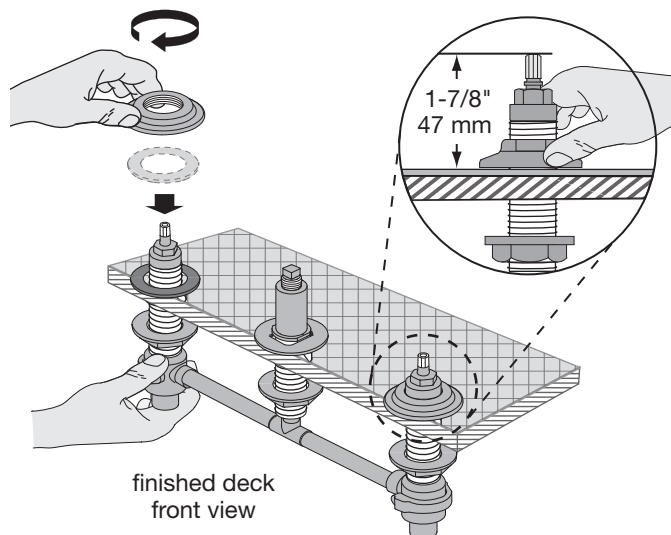
## Step 2 Solder valve assembly together



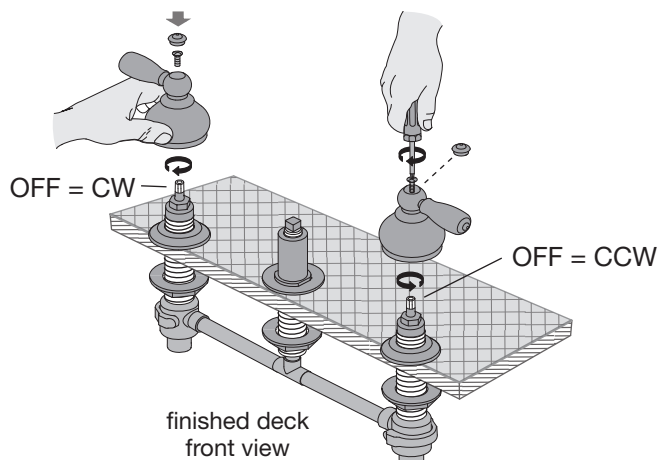
## Step 3 Mount valve assembly to deck



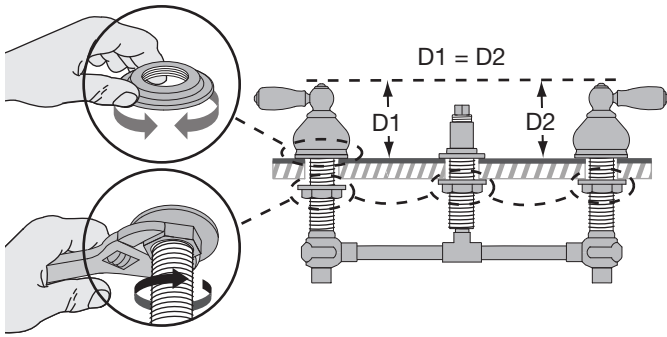
## Step 4 Attach valve assembly



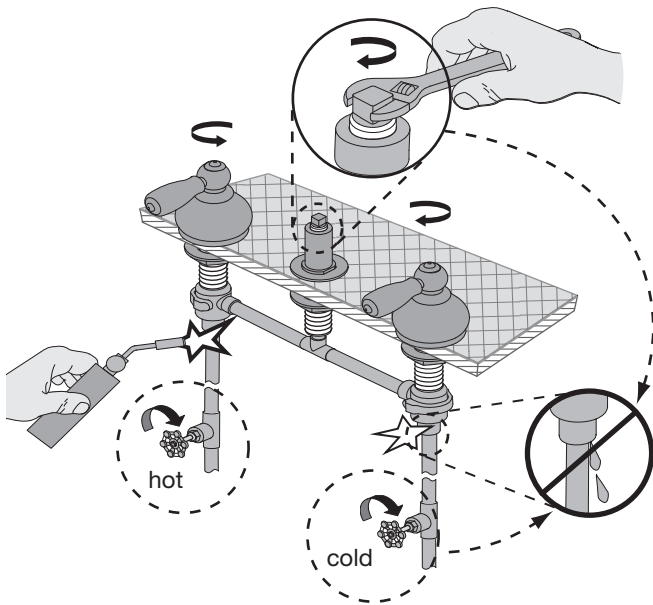
## Step 5 Attach faucet handles



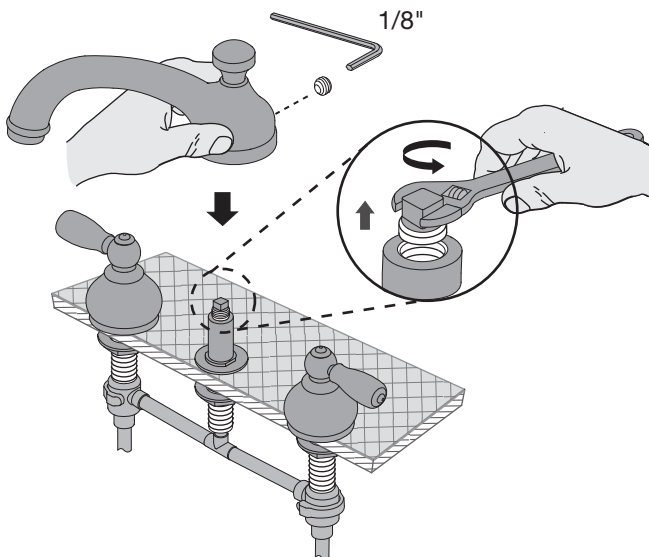
### Step 6 Fasten valve assembly to deck



### Step 7 Solder supply lines to valve inlets



### Step 8 Attach faucet spout to deck



### Step 9 Flush water supply lines

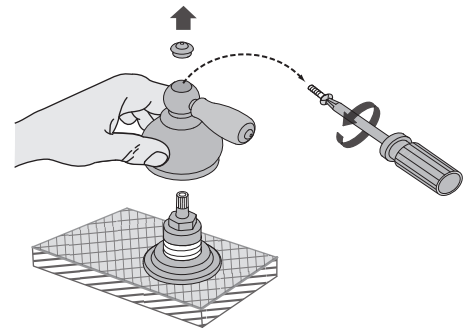


### Care of faucet finish

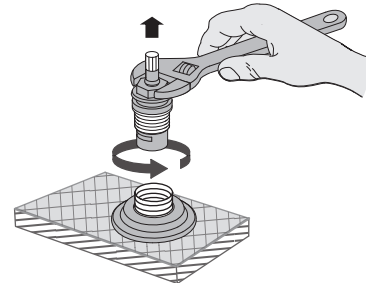
Clean finish area by using mild soap and water or non-abrasive cleaner and then rinse immediately. A non-abrasive wax may be used to preserve finish area.

## Valve cartridge replacement

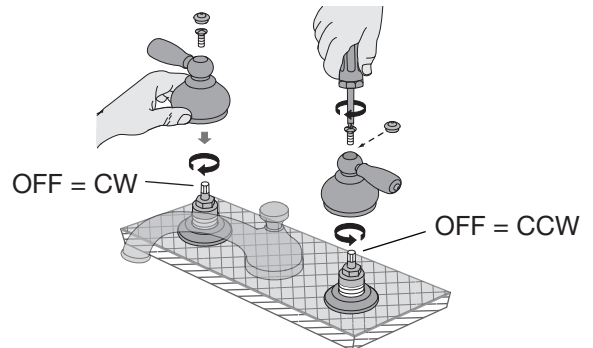
### Step 1 Remove faucet handle



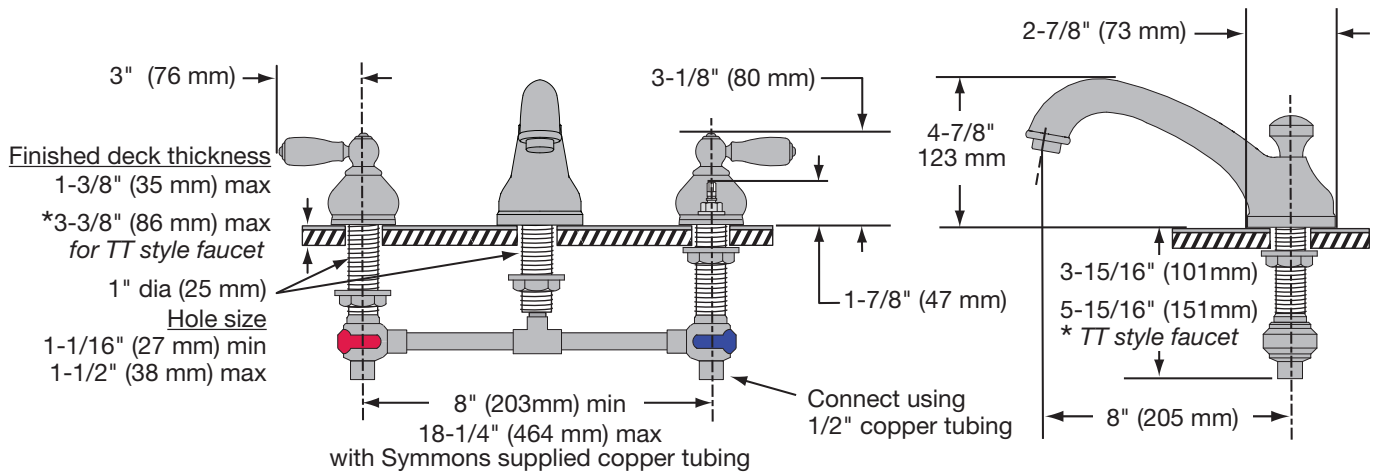
### Step 2 Remove and replace cartridge



### Step 3 Attach faucet handle

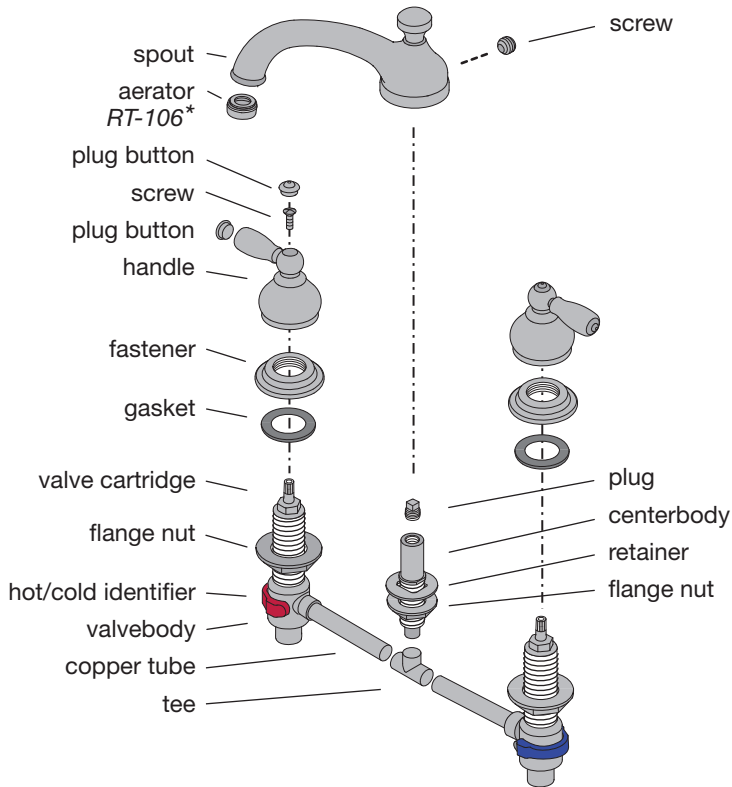


## Dimensions Allura Roman Tub Faucet, SRT-4770



\* Note: Use TT style faucet if deck thickness is 1-3/8" to 3-3/8" (35 mm - 86 mm)  
Contact Symmons customer service to special order TT style faucet, model number SRT-4770-1-TT-BDY

## Parts Assembly Allura Roman Tub Faucet SRT-4770



Faucet Handle Style: LHM	
Part Number	Item (Qty)
LN-222* 2 handles included	plug button (4) screw (2) handle (2) fastener (2) gasket (2)
KN-114 (hot) OFF = CW KN-113 (cold) OFF = CCW	KN-113 identified by groove valve cartridge

\* Note: For decorative finish faucets add suffix code letters to parts marked with an asterisk.

### Ordering replacement parts:

Call Symmons customer service at (800) 796-6667, (781) 848-2250 M-F 7:30 am - 6:00 pm EST or check our website at [www.symmons.com](http://www.symmons.com) for a list of Symmons distributors.