



QUDB-3322 Granite Undermount Double Bowl Kitchen Sink

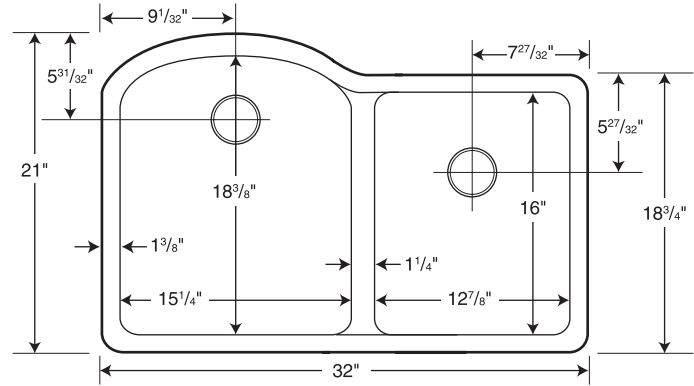
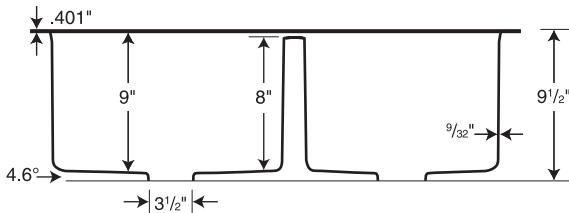
Manufactured from Quartz
(See page 2 for detailed information.)

Recommended for high-use traffic areas and commercial surfaces.

WARRANTY
Limited Lifetime – Residential
Limited 10-year – Commercial

FEATURES

- Made with 80% quartz stone, only a diamond is harder.
- Virtually indestructible, will not damage from kitchen use.
- Ideal for remodeling or new construction.
- Mounts under most countertop materials including granite, quartz, solid surface and tile.



Capacity: 9-1/2 gallons in large (left) bowl, 7 gallons in small (right) bowl

SPECIFICATIONS

QUDB-3322 Granite Undermount Double Bowl Kitchen Sink

Model	Part	Nominal Dimensions	Ship Wt. Lb.	Ship FedEx	Carton Dims. In.	Cu. Ft.
QUDB-3322	QU03322DB	32" W x 21" D (813 mm x 533 mm)	53	FedEx	39 x 28 x 13	8.22

COLORS

(See inside back cover for color sample.)

- Opal White (210)
- Espresso (170)
- Granito (076)
- Metallico (173)
- Nero (077)

MAINTENANCE AND CLEANING INFORMATION

Clean your Swan Granite Sink by using warm water and a soft clean cloth, or sponge. Non-abrasive liquid cleaners and detergents can also be used. Hard water, calcium and lime deposits can be removed with white vinegar on a paper towel and rinsing after 20 minutes. To restore luster and extend time between cleanings Granite Cleaner & Polish is recommended. Staining liquids, such as dyes and vegetable juices should be rinsed off as soon as possible. **Do not** use abrasive cleaners, metal-scouring pads, and bleach or alkali cleaners, such as ammonia.

STANDARDS AND RATINGS

American National Standard Institute—ANSI Z124.6
International Association of Plumbing and Mechanical Officials (IAPMO) – listed
cUPC listed – Certified to CSA Standard B45 by IAPMO
Heat resistance to 392°F, 200°C

SUPPORT DOCUMENTS

Installation instructions available at swanstone.com.