

# Syden Wall

4459293S, 4559293S, 4659293S | 1.0

## GENERATION LIGHTING WALL

### GENERAL PRODUCT INFORMATION:

These fixtures are intended to be installed utilizing NEC compliant junction boxes.

This product is safety listed for damp locations.

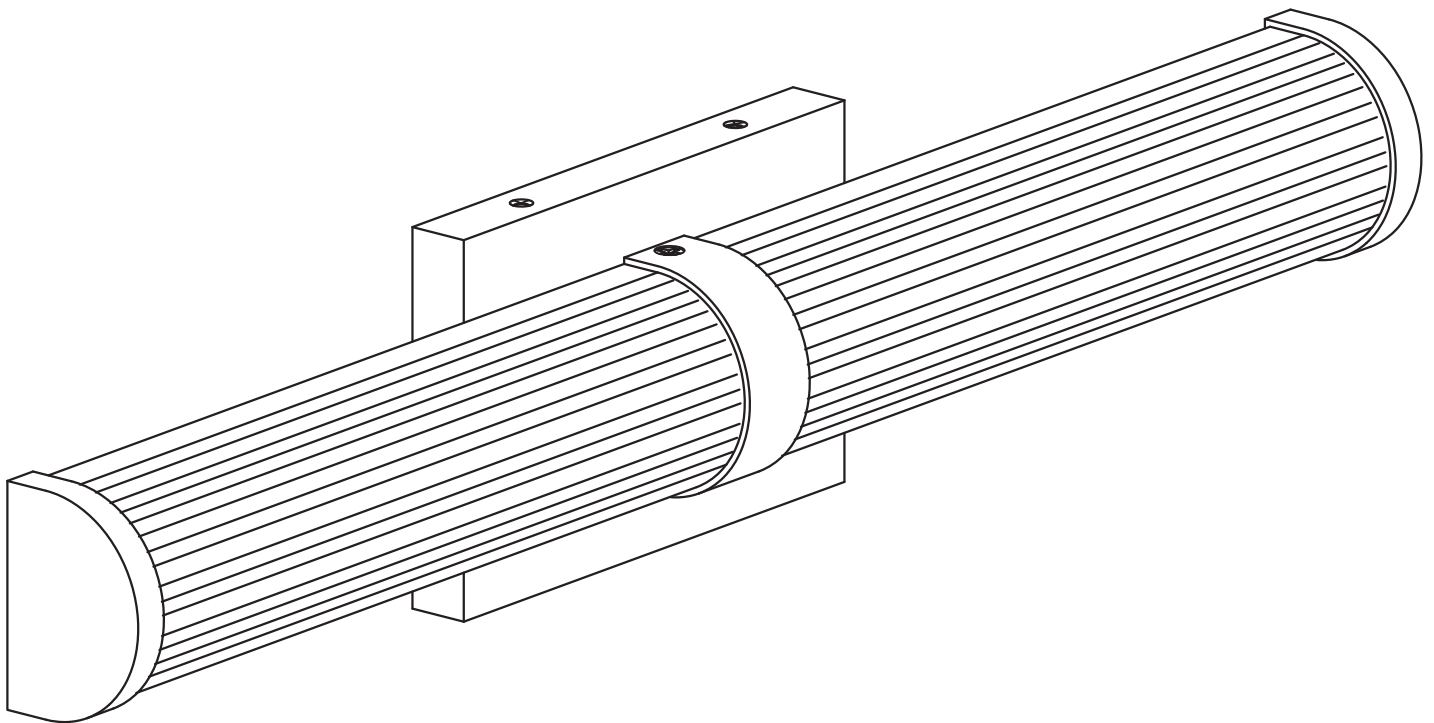
This instruction shows a typical installation.

### CAUTION - RISK OF FIRE

This product must be installed in accordance with the applicable installation code by a person familiar with the construction and operation of the product and the hazards involved.

Use minimum 90°C supply conductors.

**SAVE THESE INSTRUCTIONS!**



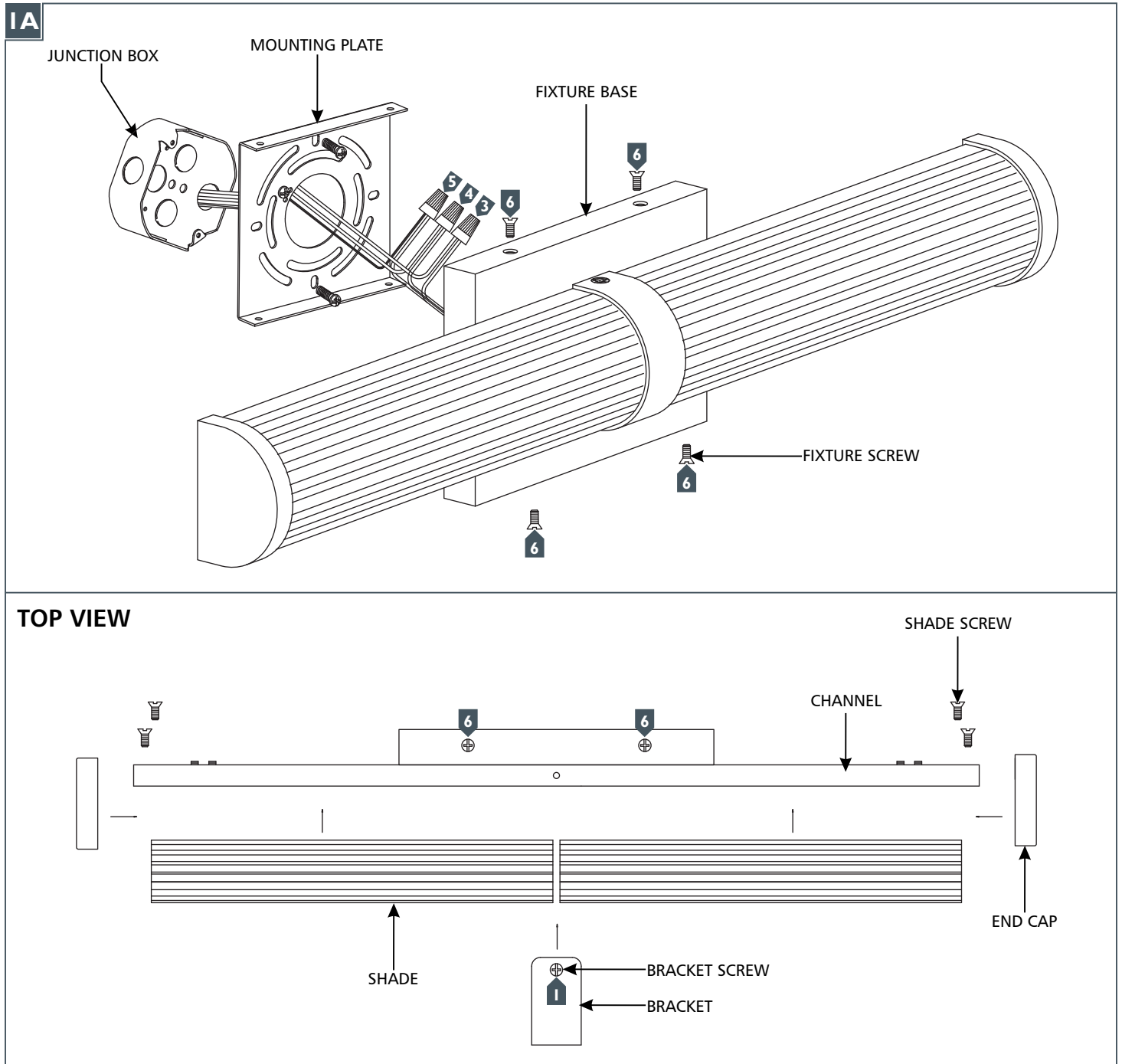
GENERATION LIGHTING

7400 Linder Ave., Skokie, IL 60077

T 847.410.4400 | F 847.410.4500

[www.generationlighting.com](http://www.generationlighting.com)

# Install the Fixture



- 1 Install the diffuser to the channel, install the end caps on the ends of the shade/channel, and secure them together using the shade screws. Install the bracket over the shade and channel using the bracket screw.
- 2 Secure the mounting plate to the junction box.
- 3 Connect the fixture to a suitable ground in accordance to local electrical codes.
- 4 Connect the white fixture wire (square and/or rigid) to the neutral power line wire with a wire nut.
- 5 Connect the black fixture wire (round and/or smooth) to the hot power line wire with a wire nut.
- 6 Neatly place all the wires into the junction box, place the fixture base onto the mounting plate, and secure it in place using the fixture screws.