

# Rossie Chandelier

EC1226, EC1235 | 1.0

## GENERATION LIGHTING CHANDELIER

### GENERAL PRODUCT INFORMATION:

These fixtures are intended to be installed utilizing NEC compliant junction boxes.

This product is safety listed for damp locations.

Incandescent version may be dimmed with a standard incandescent dimmer. LED version may be dimmed with a LED dimmer. Consult lamp manufacturer for additional information.

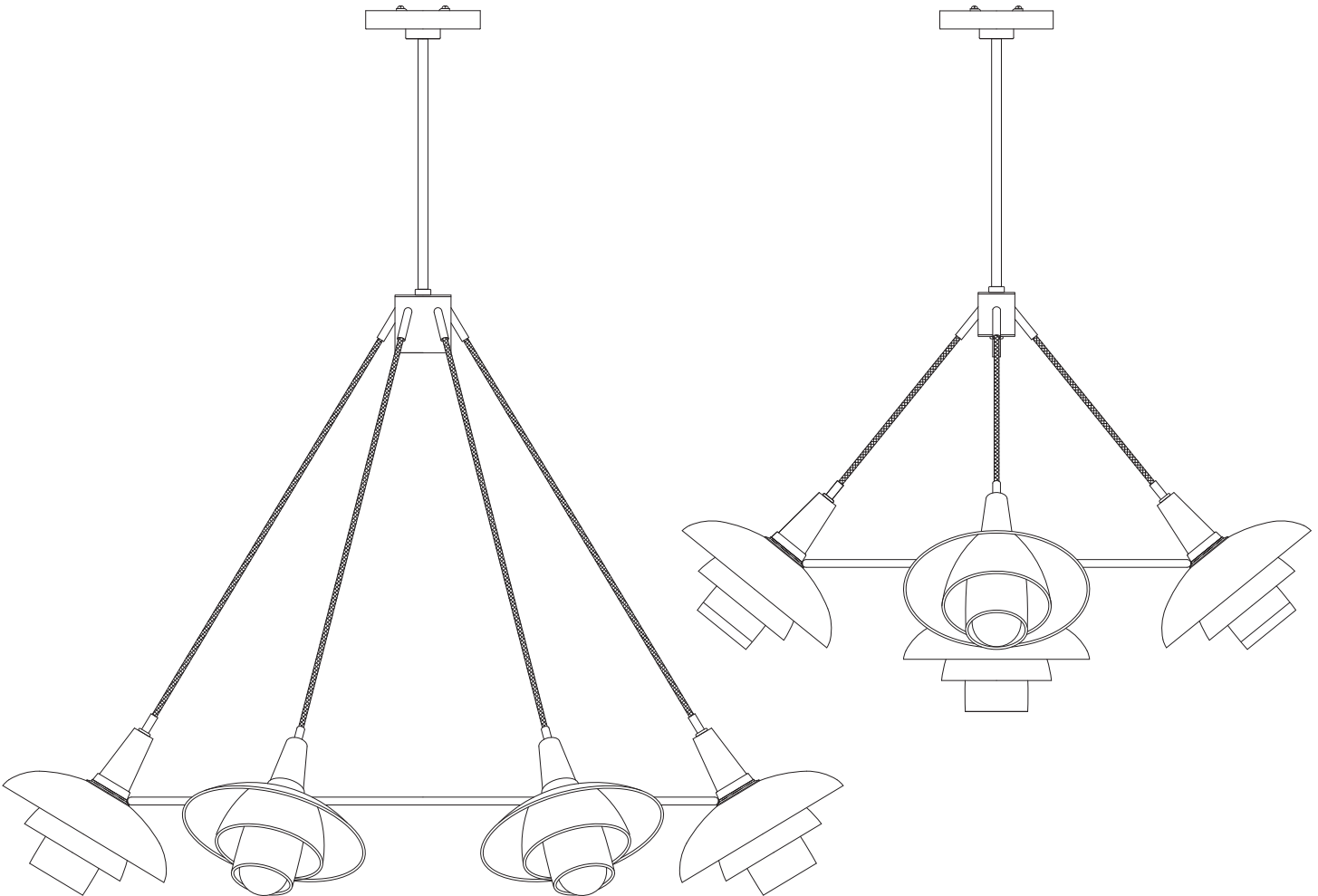
This instruction shows a typical installation.

**SAVE THESE INSTRUCTIONS!**

### CAUTION - RISK OF FIRE

This product must be installed in accordance with the applicable installation code by a person familiar with the construction and operation of the product and the hazards involved.

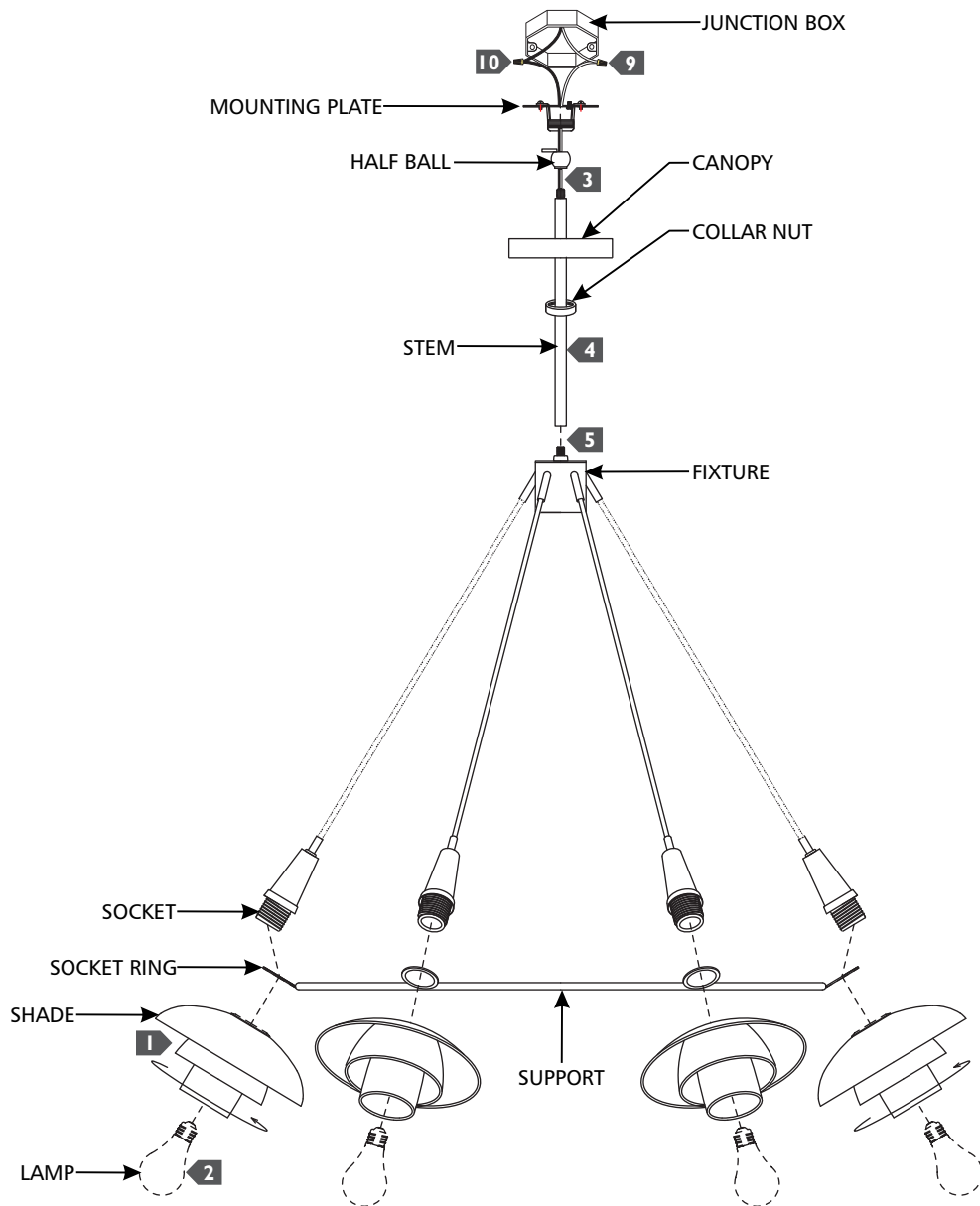
**Use minimum 90°C supply conductors.**



GENERATION LIGHTING  
7400 Linder Ave., Skokie, IL 60077  
T 847.410.4400 | F 847.410.4500  
www.generationlighting.com

# Install the Fixture

IA



- 1** Install the support so that the socket rings go over the sockets, then screw the shades onto each socket.
- 2** Screw the lamps into the sockets. Refer to the label on the socket for Max Wattage Information.
- 3** Screw the half ball to the stem which will be on top.
- 4** Determine the wanted height or look of the fixture with the provided stems, then assemble them by screwing them together.
- 5** Feed the fixture wires through the stem assembly, then screw the stem assembly to the fixture.
- 6** Feed the fixture wires through the collar nut, canopy, and the half ball assembly, then screw it onto the stem assembly.
- 7** Align and secure the mounting plate to the junction box, then slide the half ball assembly onto the mounting plate.
- 8** Connect the fixture to a suitable ground in accordance to local electrical codes.
- 9** Connect the white fixture wire (square and/or rigid) to the neutral power line wire with a wire nut.
- 10** Connect the black fixture wire (round and/or smooth) to the hot power line wire with a wire nut.
- 11** Neatly place all the wires into the junction box, place the canopy onto the mounting plate, and secure it in place by screwing the collar nut tightly onto the mounting plate.