

Salem I Arm Wall

4198101 | 1.0

GENERATION LIGHTING WALL

GENERAL PRODUCT INFORMATION:

These fixtures are intended to be installed utilizing NEC compliant junction boxes.

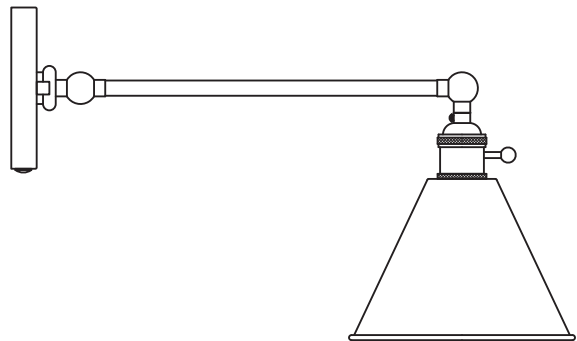
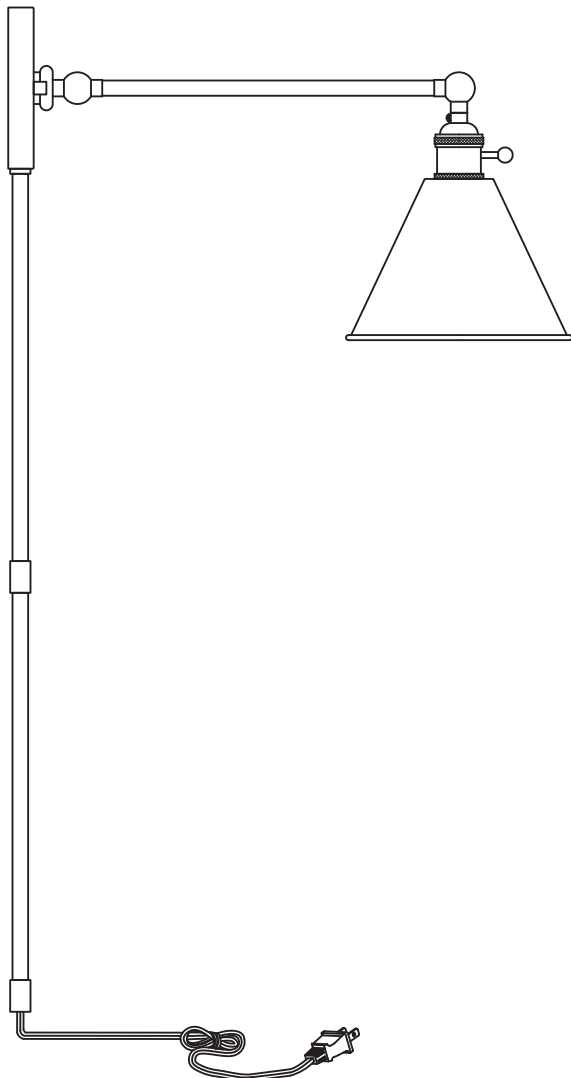
This product is safety listed for damp locations.

Incandescent version may be dimmed with a standard incandescent dimmer. LED version may be dimmed with a LED dimmer. Consult lamp manufacturer for additional information.

This instruction shows a typical installation.

SAVE THESE INSTRUCTIONS!

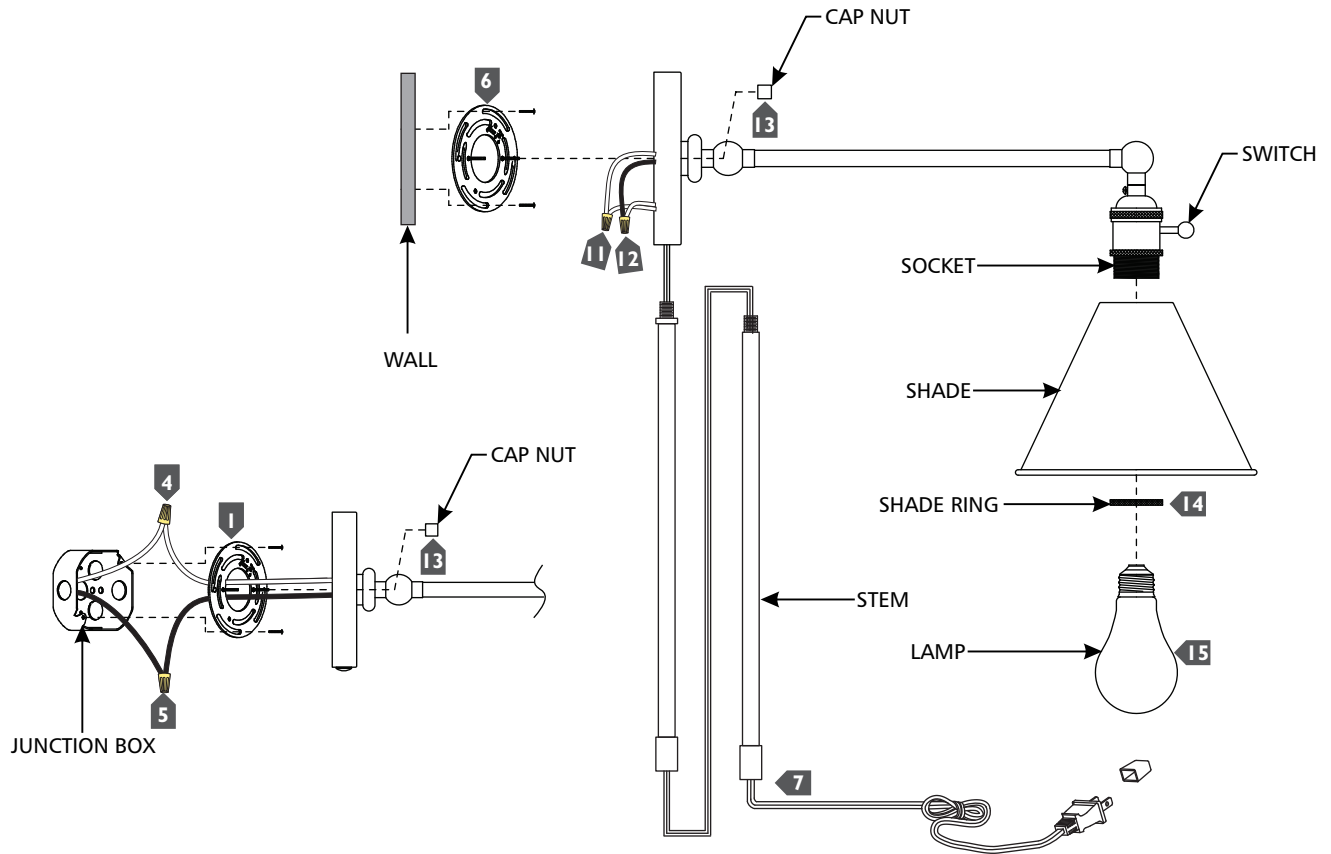
CAUTION - RISK OF FIRE
This product must be installed in accordance with the applicable installation code by a person familiar with the construction and operation of the product and the hazards involved.
Use minimum 90°C supply conductors.



GENERATION LIGHTING
7400 Linder Ave., Skokie, IL 60077
T 847.410.4400 | F 847.410.4500
www.generationlighting.com

Install the Fixture

IA



For Standard Wiring:

- 1 Secure the mounting plate to the junction box.
- 2 Screw the cap into the hole in the bottom of the backplate.
- 3 Connect the fixture ground wire to a suitable ground in accordance to local electrical codes.
- 4 Connect the white fixture wire to the neutral power line wire with a wire nut.
- 5 Connect the black fixture wire to the hot power line wire with a wire nut.

For Plug-in:

- 6 Secure the mounting plate to the wall.
- 7 Determine the desired length of stem and screw stems together if necessary.
- 8 Feed the cord through the stems and through the hole in the bottom of the backplate.
- 9 Screw the stem assembly into the bottom of the backplate.
- 10 Connect the fixture ground wire to a suitable ground in accordance to local electrical codes.
- 11 Connect the white fixture wire to the neutral cord wire (square and/or rigid) with a wire nut.
- 12 Connect the black fixture wire to the hot cord wire (round and/or smooth) with a wire nut.

For Both:

- 13 Properly place all wires and wire nut connections into the junction box/fixture base, mount the fixture onto the mounting plate/fixture bracket, and secure it in place using the fixture screws.
- 14 Install the shade by placing it onto the socket, then secure in place by screwing the shade ring onto the socket.
- 15 Screw the lamp into the socket. Refer to the label on the socket for Max Wattage Information.
- 16 Adjust the fixture arm as needed.