



# Ludington®

23" undermount single-bowl kitchen sink  
**32029**

## Features

- Minimum base cabinet width: 24"-27" (610 mm - 686 mm)  
(24" may require cabinet modifications)
- Single bowl
- 9" (229 mm) depth provides generous workspace
- No faucet holes; requires wall- or counter-mount faucet
- Includes installation hardware
- Sink drain and strainer sold separately

## Material

- Premium 18-gauge stainless steel

## Installation

- Undermount
- Center drain

## Recommended Products/Accessories

- 7400 Stainless Steel Sink Drain and Strainer
- K-23726 Drain treatment
- K-23729 Stainless steel cleaner

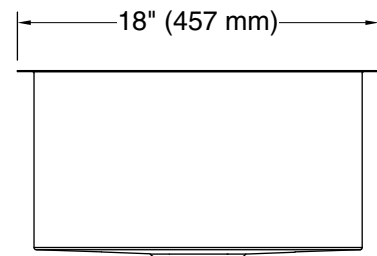
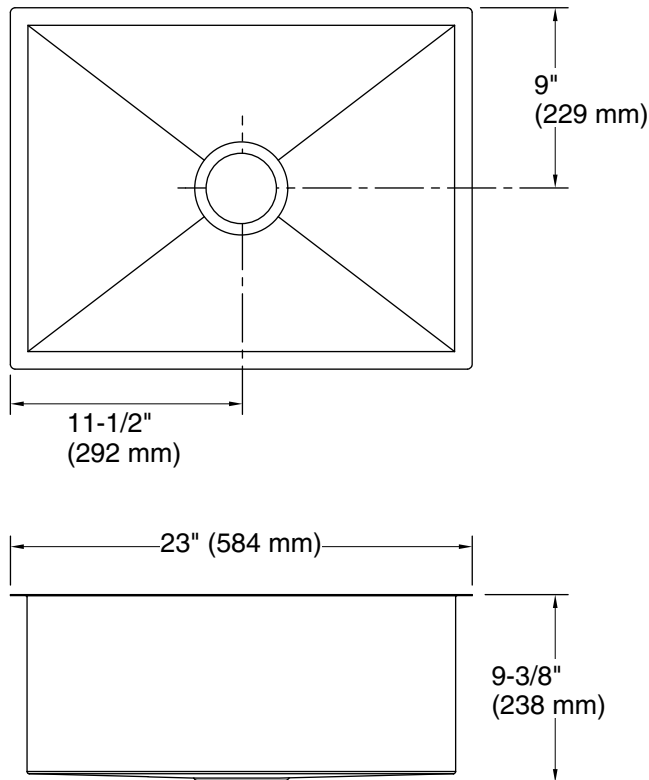


## Codes/Standards

- ASME A112.19.3/CSA B45.4
- IAPMO Certification

## **STERLING® Stainless Steel Sinks Lifetime Limited Warranty**

See website for detailed warranty information.



### Technical Information

All product dimensions are nominal.

Bowl configuration: Single

Min. base cabinet width: 27" (686 mm)

Bowl area (Only):  
 Length: 21-1/4" (540 mm)  
 Width: 16-1/4" (413 mm)  
 Bowl depth: 9-1/16" (231 mm)  
 Water depth: 9-1/16" (231 mm)

Drain hole: 3-3/4" (94 mm)

Template: Undermount, 1476118-7, required, included

### Notes

Install this product according to the installation instructions.