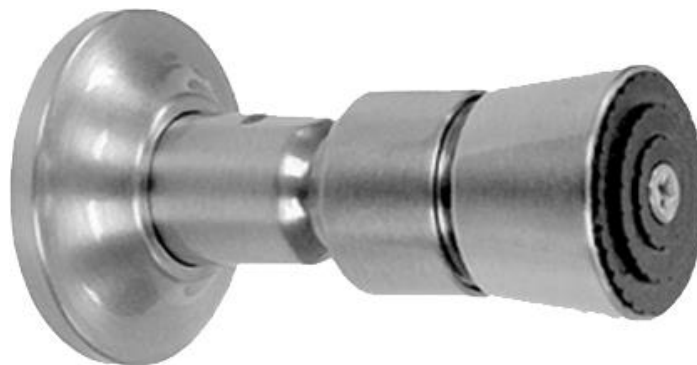
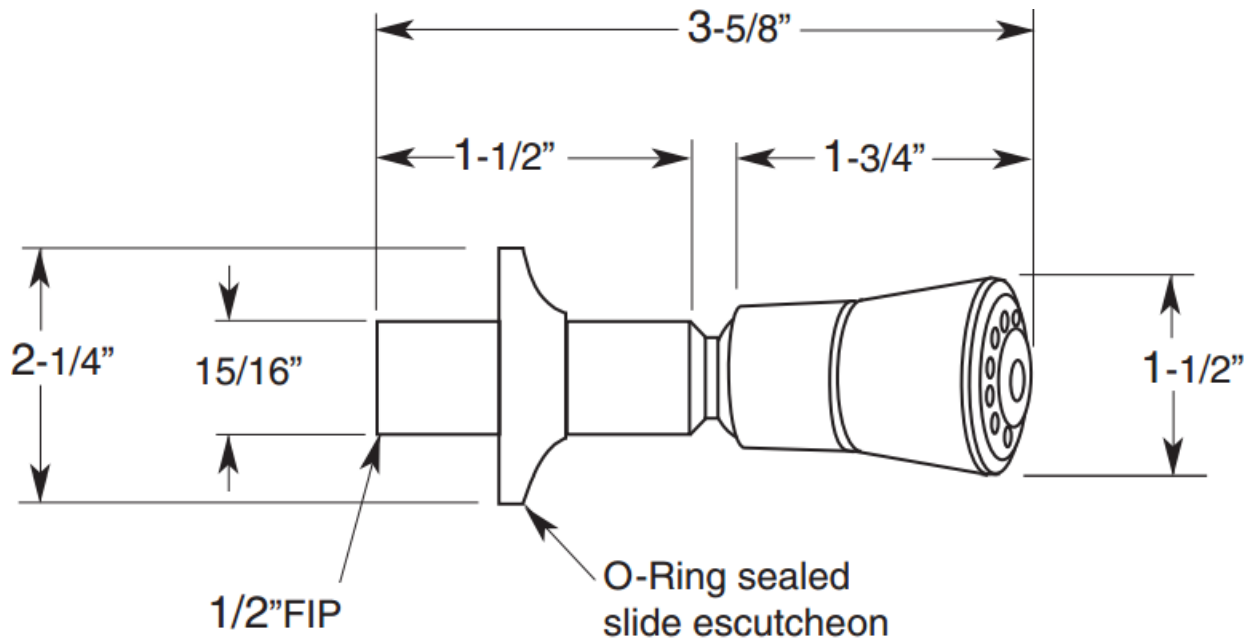




# PRODUCT SPECIFICATIONS

Mar 2017

Body Spray  
SF-10-063



- ADA Compliant
- Custom finishes available

Connection	1/2"
GPM	2.0