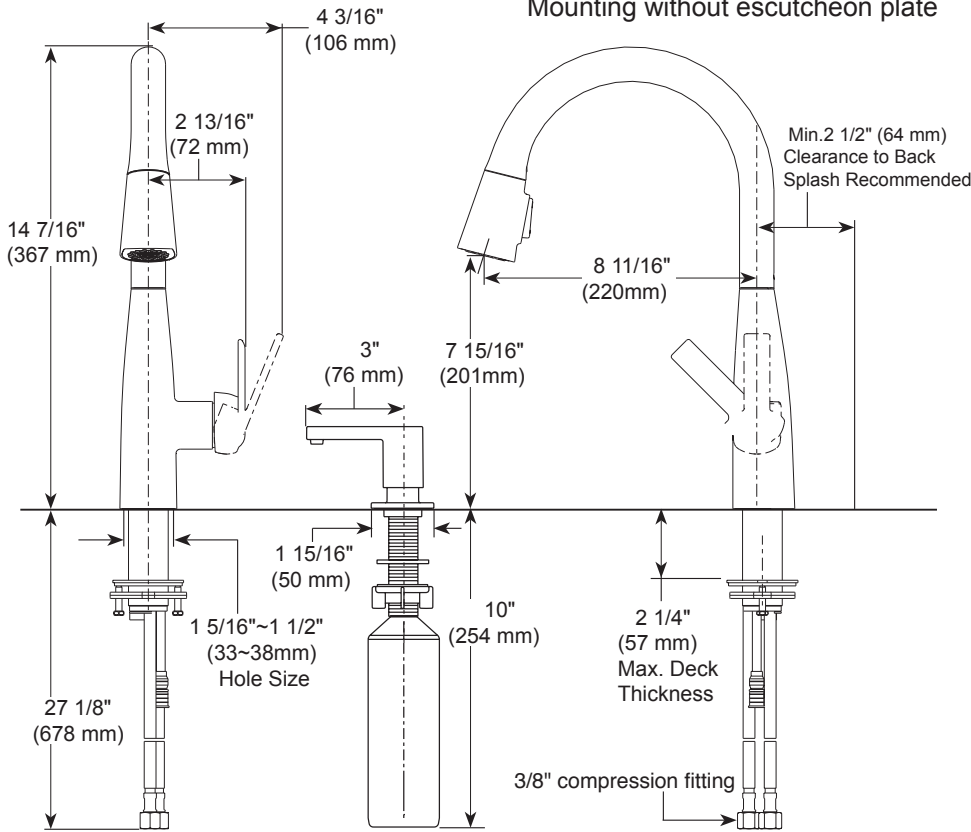


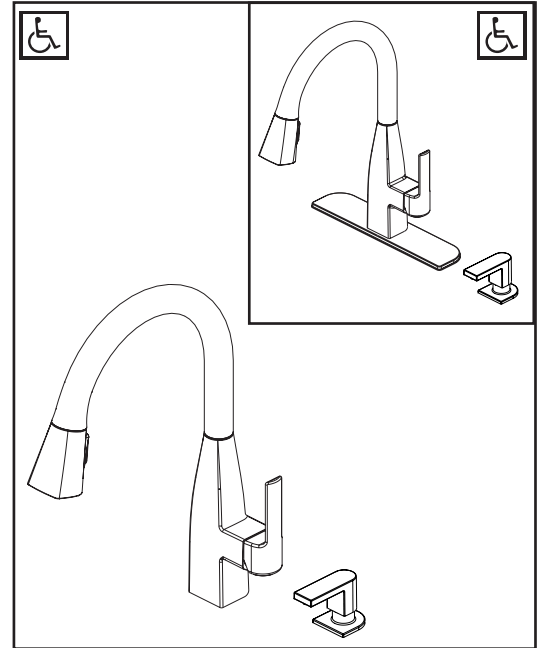
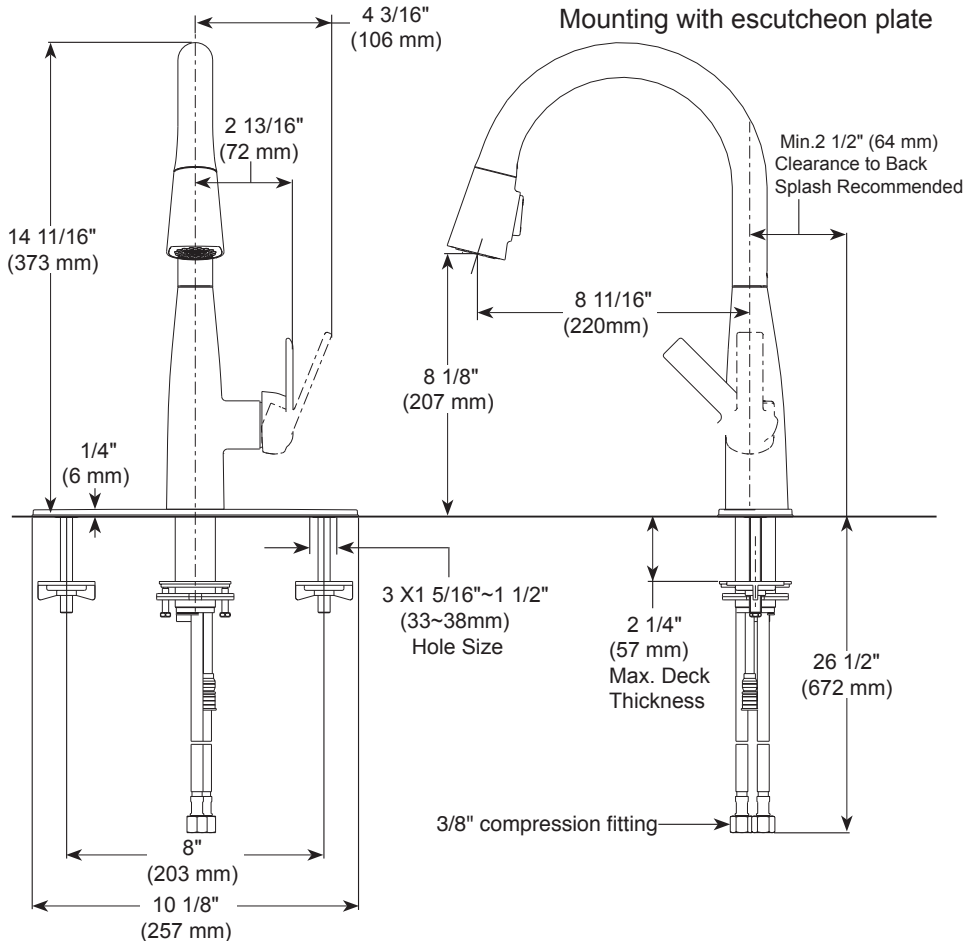
PEERLESS®

P7919LF▲

Mounting without escutcheon plate



Mounting with escutcheon plate



KITCHEN FAUCETS

■ Single handle pull-down

STANDARD SPECIFICATIONS:

- Maximum 1.5 gpm @ 60 psi, 5.7 L/min @ 414 kPa
- One, two, three, four hole mount options (escutcheon and soap dispenser optional, sold separately)
- Two-function wand; aerated stream or spray
- Dual integral check valves in sprayer
- Ceramic cartridge
- Spout rotates 360°
- Red/Blue indicator markings
- Polymer braided flexible supply hose with 3/8" compression fitting - 27 1/8" (678 mm) long.

WARRANTY

- Parts and Finish - Lifetime limited warranty; or for commercial purchasers, 10 years for multi-family residential (apartments and condominiums) and 5 years for all other commercial uses, in each case from the date of purchase.

COMPLIES WITH:

- ASME A112.18.1 / CSA B125.1
- Indicates compliance to  ICC/ANSI A117.1 - Valve control only

▲ Designate proper finish suffix