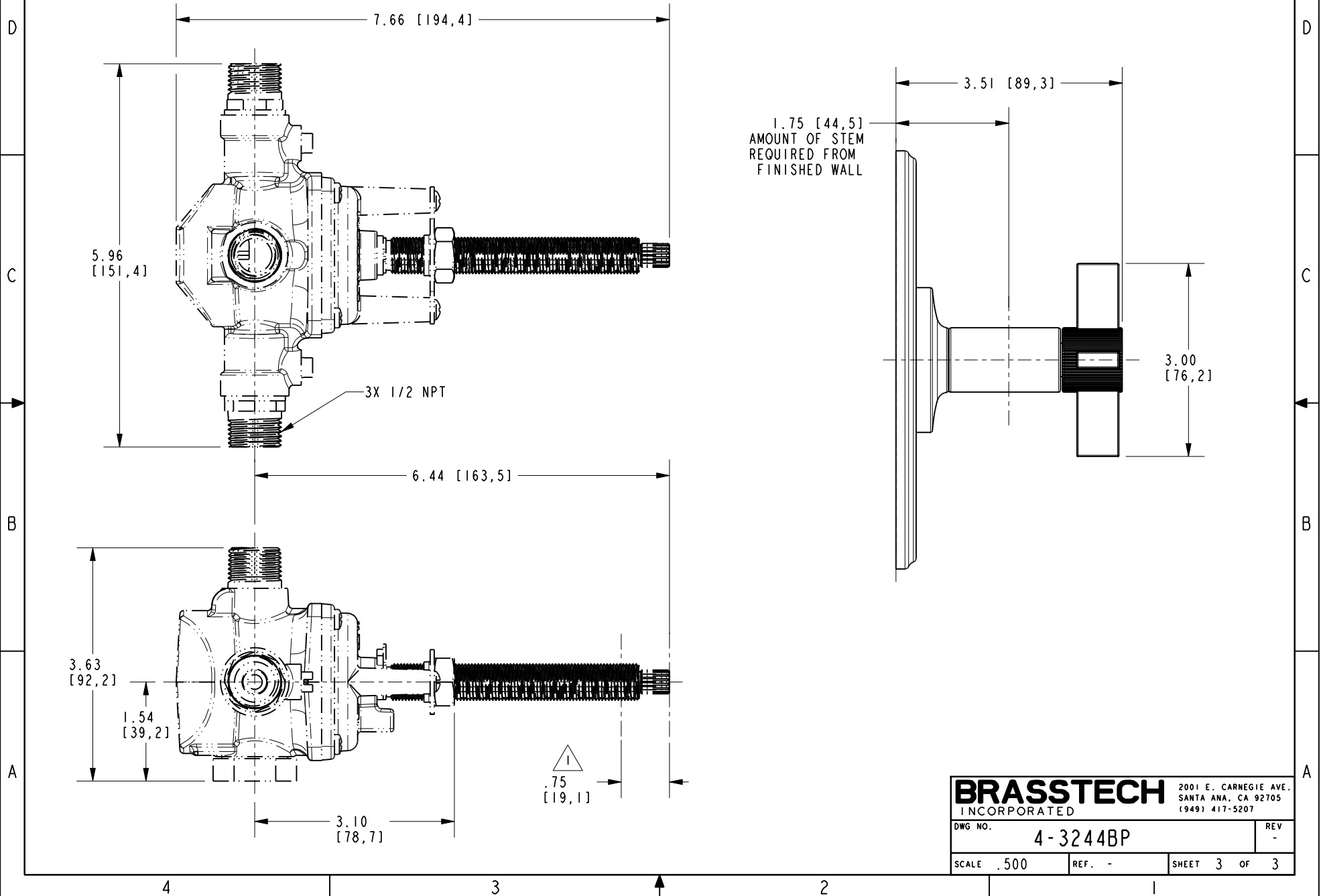


BRASSTECH		2001 E. CARNEGIE AVE. SANTA ANA, CA 92705 (949) 417-5207	
INCORPORATED			
DWG NO.	4-3244BP		REV -
SCALE .500	REF. -	SHEET 2 OF 3	

NOTE:

1. CUT ALL THREAD 0.75" SHORTER THAN STEM.



BRASSTECH		2001 E. CARNEGIE AVE. SANTA ANA, CA 92705 (949) 417-5207	
DWG NO.	4-3244BP	REV	-
SCALE	.500	REF.	-
SHEET 3		OF 3	