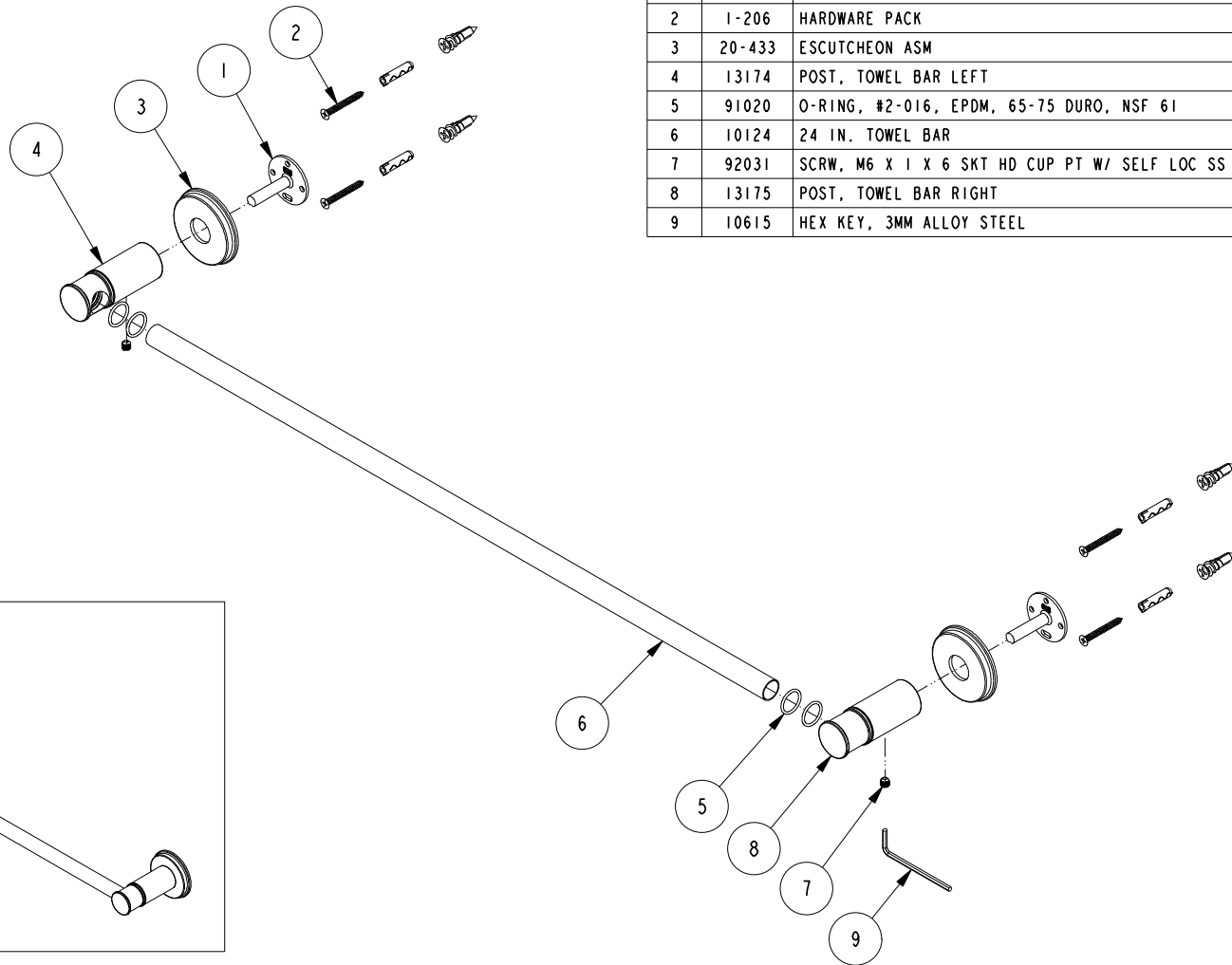
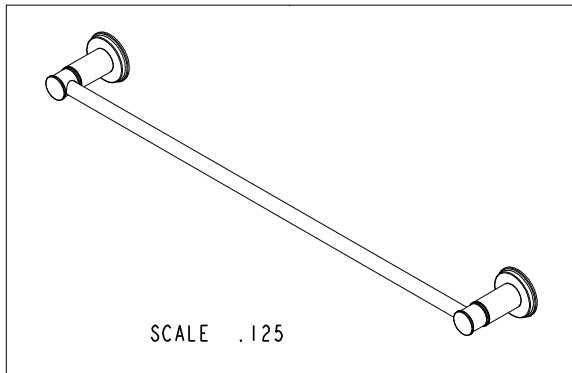


NOTES:

- (NI) 1. TO INSPECT ASSEMBLY, FOLLOW FIRST ARTICLE AND IN PROCESS INSPECTION SHEET.



BILL OF MATERIAL (CURRENT LEVEL)				
ITEM	PT/ASSY	DESCRIPTION	TYPE	QTY.
1	6XXB	MOUNTING BRACKET	PART	2
2	1-206	HARDWARE PACK	ASSEMBLY	2
3	20-433	ESCUTCHEON ASM	ASSEMBLY	2
4	13174	POST, TOWEL BAR LEFT	PART	1
5	91020	O-RING, #2-016, EPDM, 65-75 DURO, NSF 61	PART	4
6	10124	24 IN. TOWEL BAR	PART	1
7	92031	SCRW, M6 X 1 X 6 SKT HD CUP PT W/ SELF LOC SS	PART	2
8	13175	POST, TOWEL BAR RIGHT	PART	1
9	10615	HEX KEY, 3MM ALLOY STEEL	PART	1



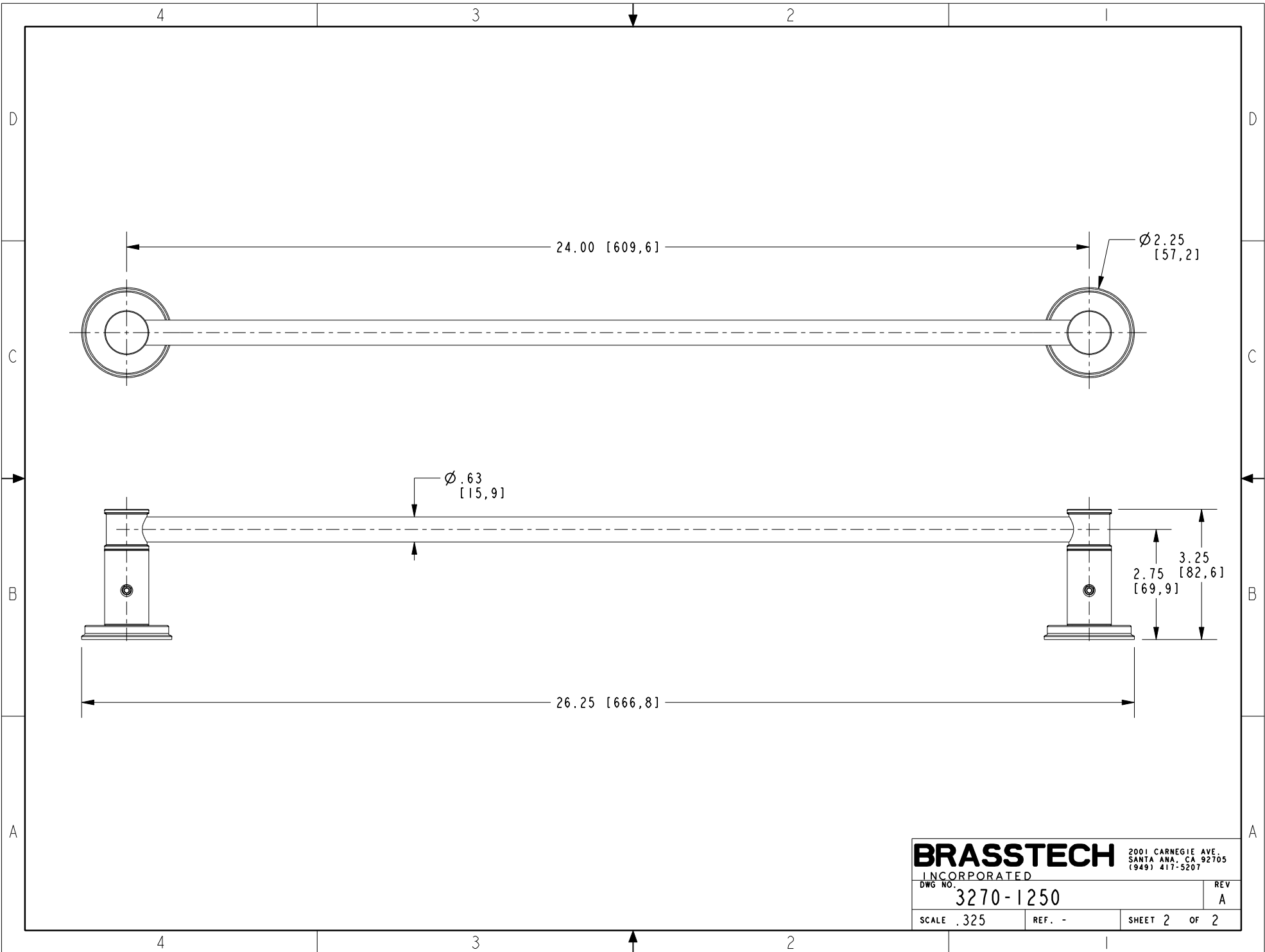
TESTING	-	-	-
ASSEMBLY	-	-	-
PLATING	-	-	-
POLISHING	-	NEXT ASSY	USED ON
MACHINING	-	APPLICATION	
TOOLING FIXTURE #	REMOVE ALL BURRS AND SHARP EDGES		

UNITS ARE: INCHES [MM]		
TOLERANCES ARE:		
FRACTIONS	DECIMALS	ANGLES
±1/16"	.X ±.1 [2.5]	±1°
	.XX ±.06 [1.5]	
(X.XXX) DENOTES CRITICAL DIMS.		
ALL THREADS ARE CRITICAL		
DRAWN	JIMSON	05/16/19
CHECKED	J.M.	05/16/19
APPROVED	J.M.	05/16/19

BRASSTECH		2001 CARNEGIE AVE. SANTA ANA, CA 92705 (949) 417-5207	
INCORPORATED			
24" TOWEL BAR			
DWG NO.		REV	
3270-1250		A	
SCALE	REF.	SHEET	OF
.200	-	1	2

-	A	EN-4256	09/18/20	J.M.
-	-	EN-3852	05/16/19	J.M.
ZONE	REV	DESCRIPTION	DATE	APPROVED

COPYRIGHT 2005 BRASSTECH, INC. THESE DRAWINGS AND THE DESIGNS DEPICTED HEREIN ARE THE PROPRIETARY PROPERTY OF BRASSTECH. ANY USE OR REPRODUCTION IS SUBJECT TO THE EXPRESS APPROVAL OF BRASSTECH. UNAUTHORIZED USE IS STRICTLY PROHIBITED. ALL RIGHTS RESERVED.



BRASSTECH 2001 CARNEGIE AVE.
 INCORPORATED SANTA ANA, CA 92705
 (949) 417-5207

DWG NO.	3270-1250	REV	A
SCALE	.325	REF.	-
SHEET 2		OF 2	