

Features

- Solid brass rough-in valve included.
- 9.5" rain shower head.
- Concealed mixer.
- Pressure balance cartridge.
- Ceramic disc technology.
- 1/2" NPT inlets and outlets (compatible with US plumbing connections)



Installation

- Wall mounted installation.

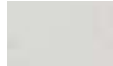
Included Pieces

- 16" shower arm with flange. (Remer 343-40US-CR)
- 9.5" rain shower head. (Remer 356LU)
- Shower mixer with rough-in valve. (Remer K30-CR)

Nameek's One-Year Limited Warranty

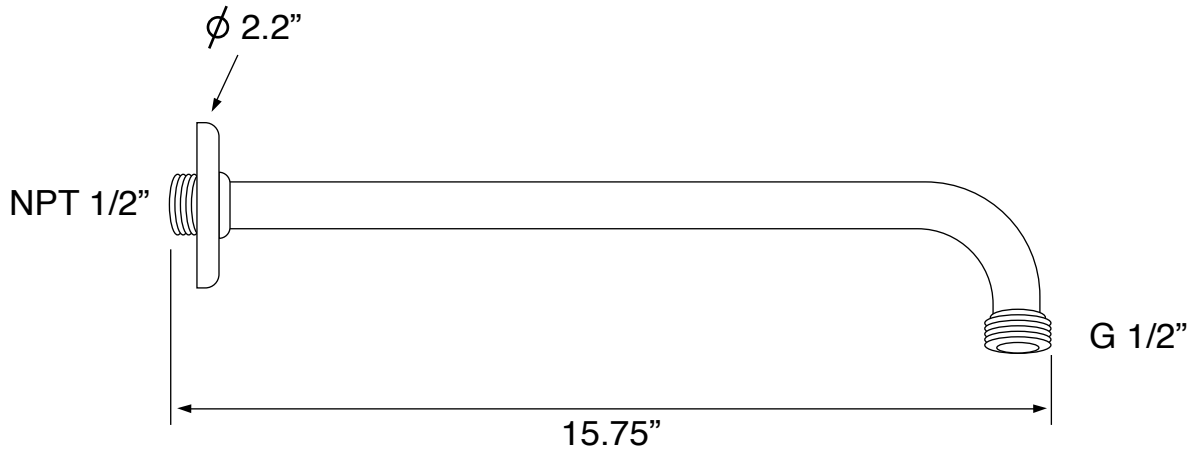
See website for warranty information details.

Color/Finish Details

| Color | Code | Description |
|---|------|-----------------|
|  | CR | Polished Chrome |

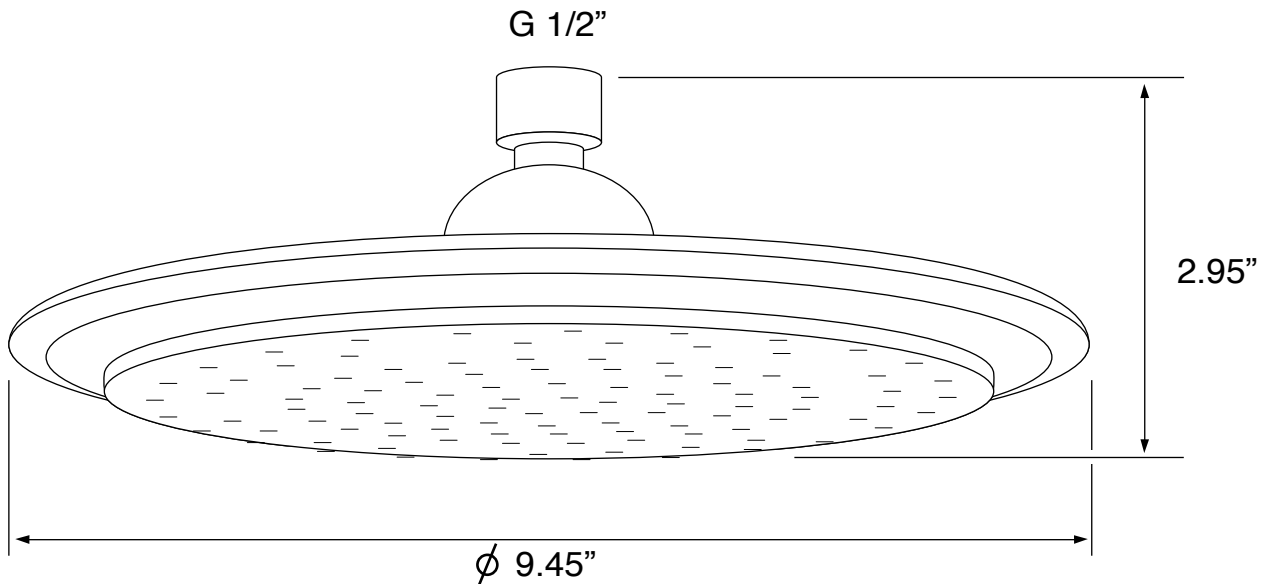
Shower Arm

Remer 343-40US-CR



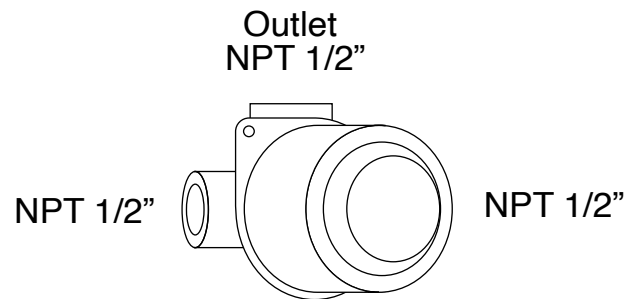
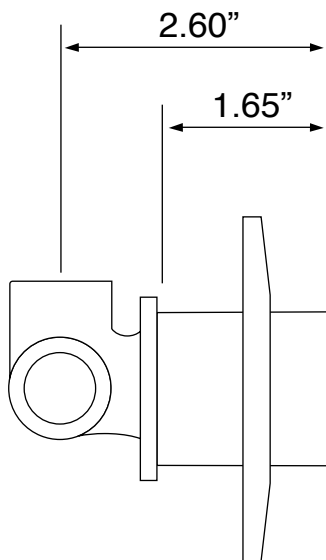
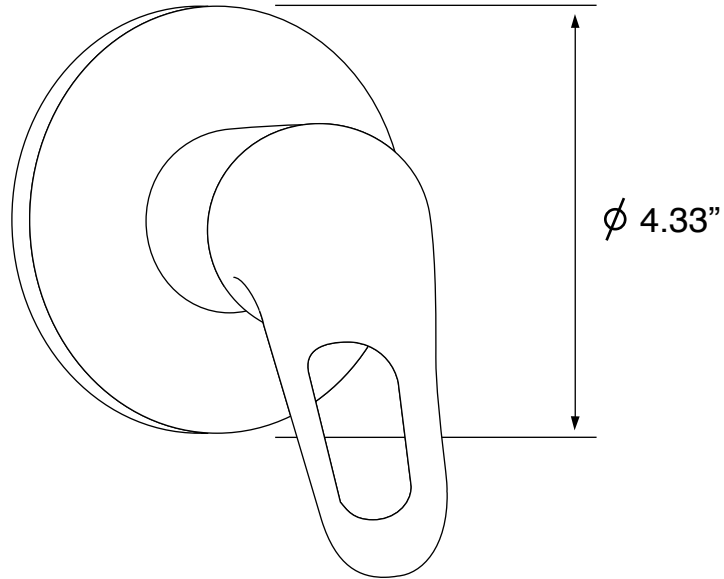
Rain Shower Head

Remer 356LU



Shower Valve (Trim + Rough-in Valve)

Remer K30-CR



Technical Information

| | |
|-----------------------|---|
| Shower head size: | 9.45" |
| Shower head type: | Rain |
| Pivoting shower head: | Yes |
| Shower arm length: | 15.75" |
| Rough-in included: | Yes |
| Material: | Brass |
| Cartridge type: | Pressure balance Ceramic disc technology |

Notes

This item is recommended to be installed by a licensed plumber or professional only. Please ensure to observe all local and building code requirements. Shut off water supply prior to installation.

Includes mounting hardware.