

## Features

- Solid brass rough-in valve included.
- 8" rain shower head.
- 2-way concealed diverter (2 water outlets).
- Thermostatic cartridge.
- Ceramic disc technology.
- Sleek hand shower.
- 28" sliding rail included.
- 1/2" NPT inlets and outlets (compatible with US plumbing connections)



## Installation

- Wall mounted installation.


## Included Pieces

- 16" shower arm with flange. (Remer 343-40US-CR)
- 8" shower head. (Remer 354QI)
- 2-way shower diverter with rough-in valve. (Remer QT92US-CR)
- Hand shower. (Remer 317SS-CR)
- Flexible shower hose. (Remer 333CNX150-CR)
- Water connection. (Remer 309SUS-CR)
- 28" sliding rail. (Remer 317S-CR)

## Nameek's One-Year Limited Warranty

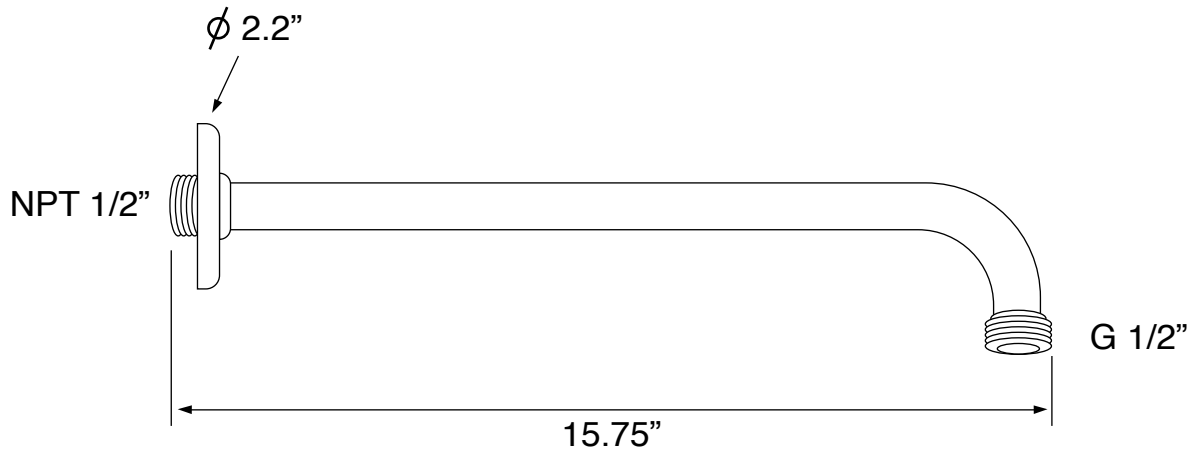
See website for warranty information details.

## Color/Finish Details

| Color   | Code | Description     |
|---|------|-----------------|
|  | CR   | Polished Chrome |

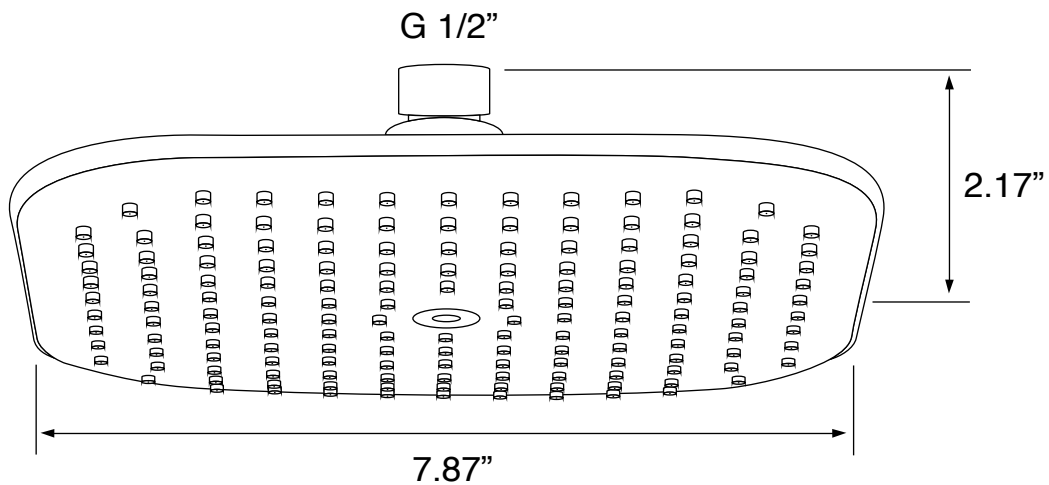
## Shower Arm

Remer 343-40US-CR



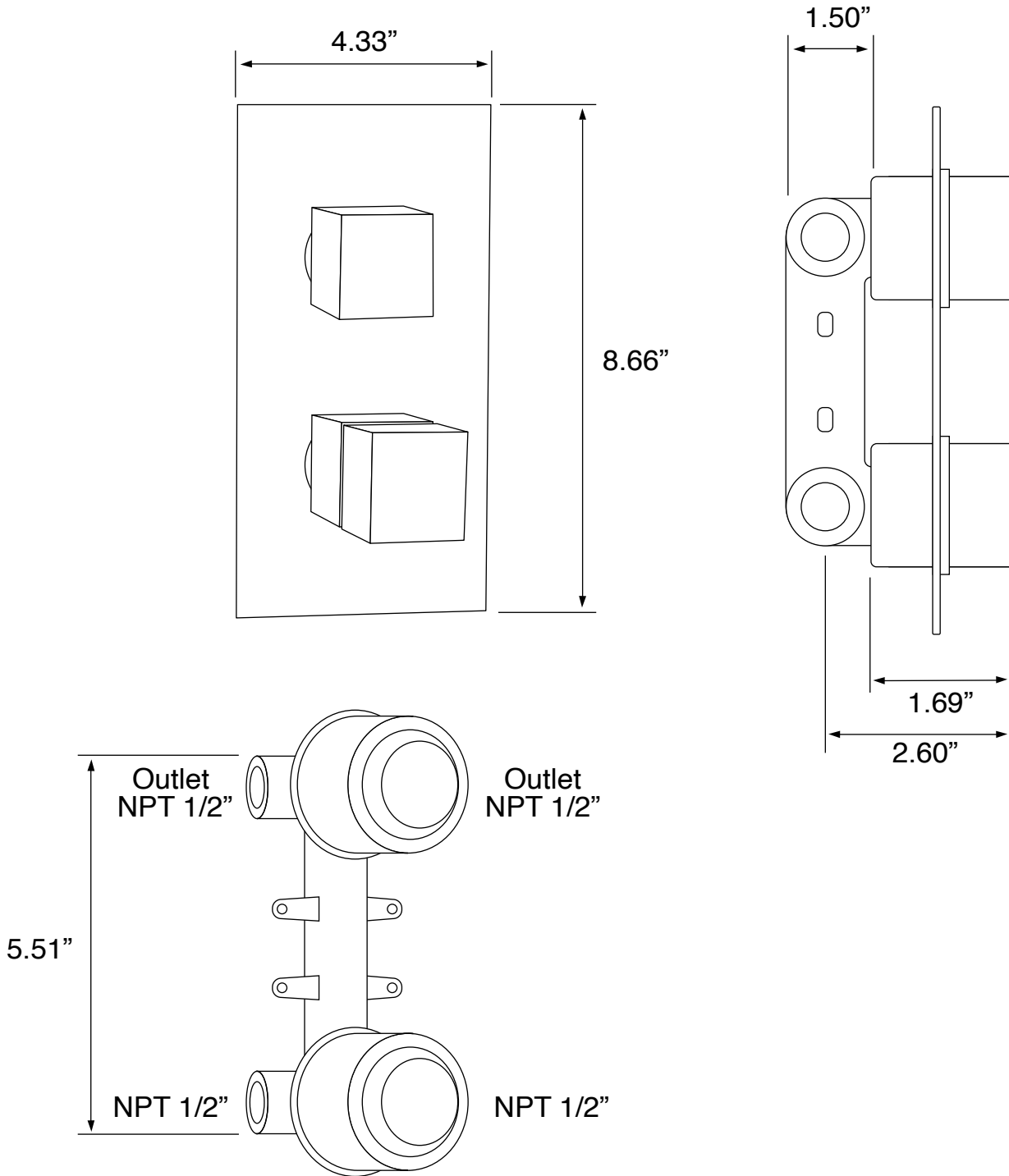
## Rain Shower Head

Remer 354QI



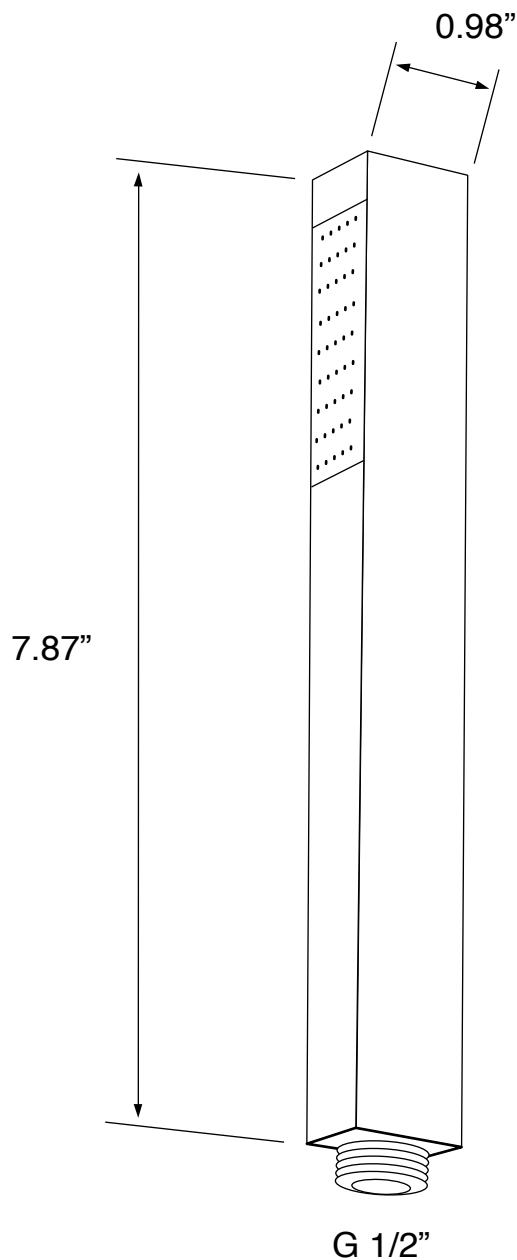
## Shower Valve (Trim + Rough-in Valve)

Remer QT92US-CR



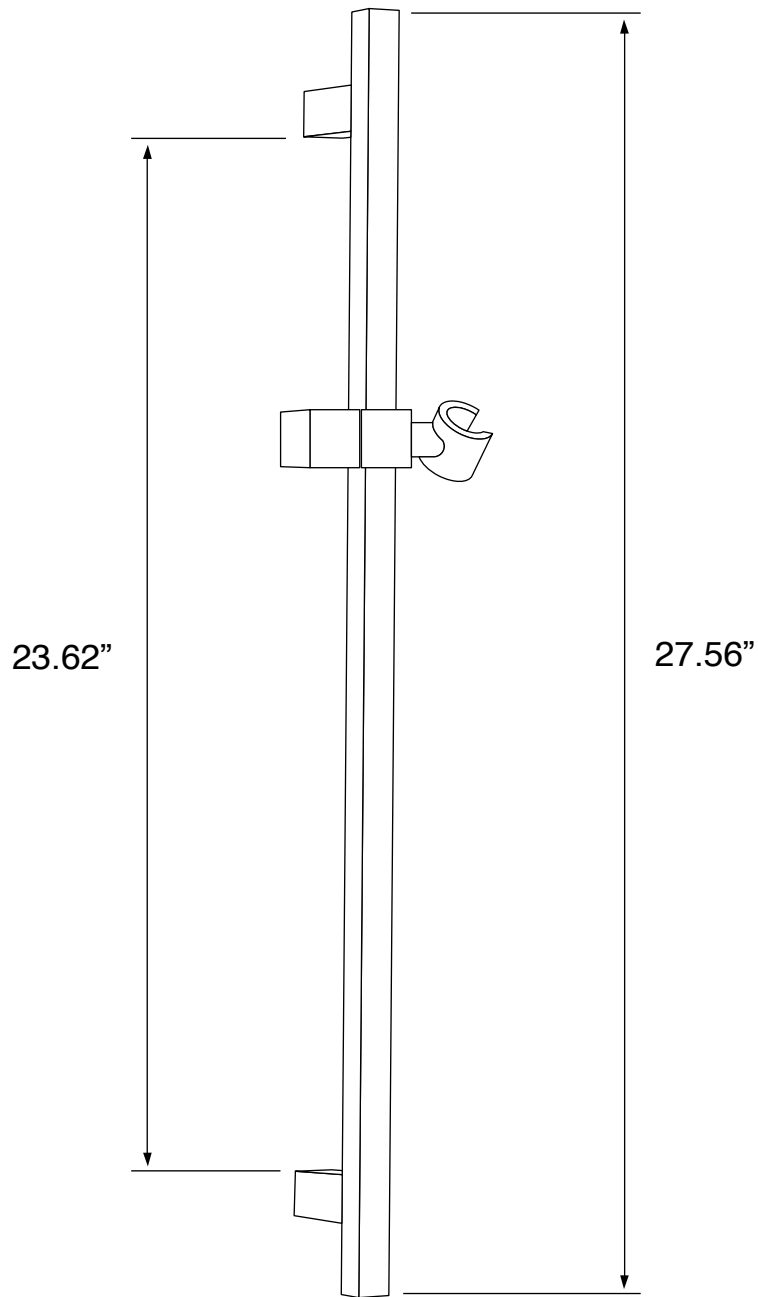
## Hand Shower

Remer 317SS-CR



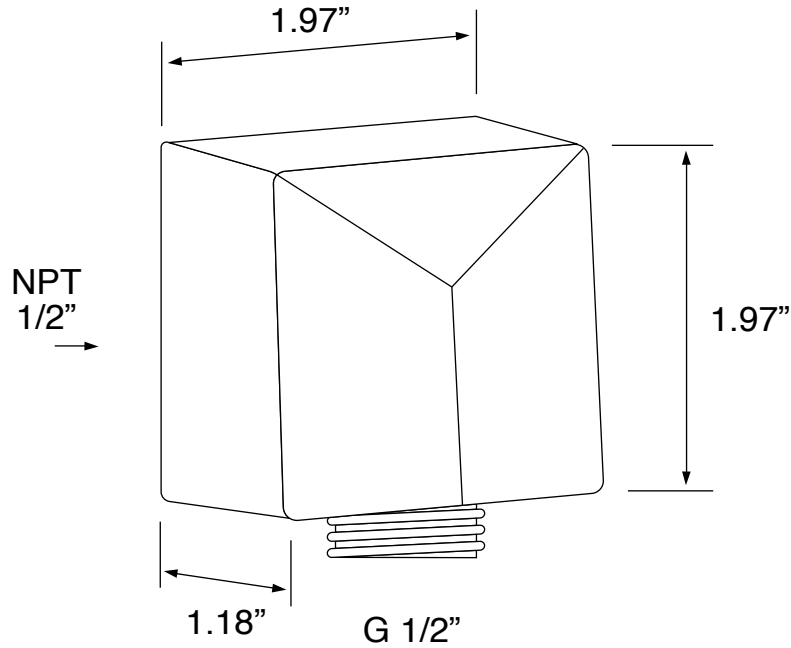
## Sliding Rail

Remer 317S-CR



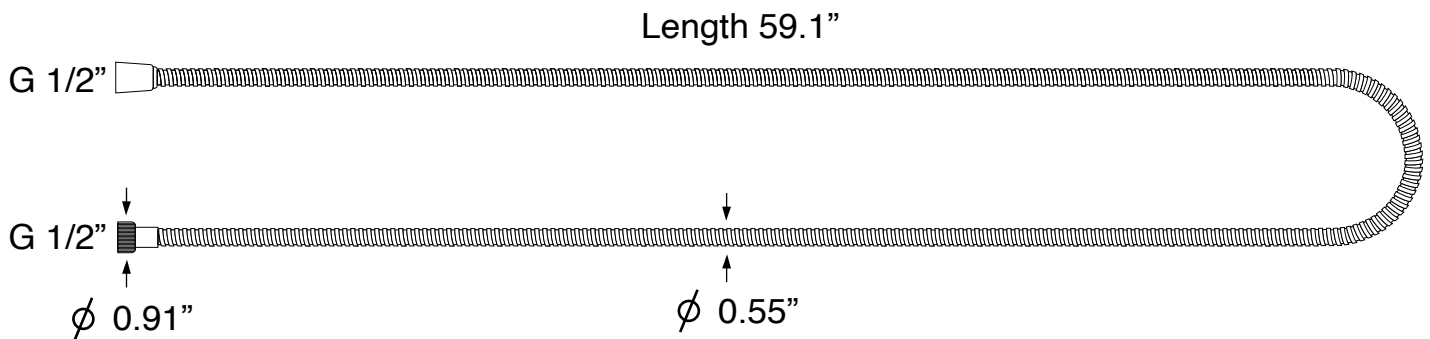
## Water Connection

Remer 309SUS-CR



## Shower Hose

Remer 333CNX150-CR



## Technical Information

|                        |   |
|------------------------|---|
| Shower head size:      | 7.87"                                   |
| Shower head type:      | Rain                                    |
| Pivoting shower head:  | Yes                                     |
| Shower arm length:     | 15.75"                                  |
| Rough-in included:     | Yes                                     |
| Material:              | Brass<br>ABS                            |
| Cartridge type:        | Thermostatic<br>Ceramic disc technology |
| Hand shower functions: | Wide                                    |

## Notes

This item is recommended to be installed by a licensed plumber or professional only. Please ensure to observe all local and building code requirements. Shut off water supply prior to installation.

Includes mounting hardware.