

## Features

- Solid brass rough-in valve included.
- 6" rain shower head.
- 2-way concealed diverter (2 water outlets).
- Pressure balance cartridge.
- Ceramic disc technology.
- 2-function hand shower.
- 24" sliding rail included.
- 1/2" NPT inlets and outlets (compatible with US plumbing connections)

## Installation

- Wall mounted installation.

## Included Pieces


- Shower arm with flange. (Remer 342US-CR)
- 6" rain shower head. (Remer 35315)
- 2-way shower diverter with rough-in valve. (Remer N09-CR)
- 2-function hand shower. (Remer 321HG)
- Flexible shower hose. (Remer 333CNX150-CR)
- Water connection. (Remer 309LUS-CR)
- 24" sliding rail. (Remer 317M)



## Nameek's One-Year Limited Warranty

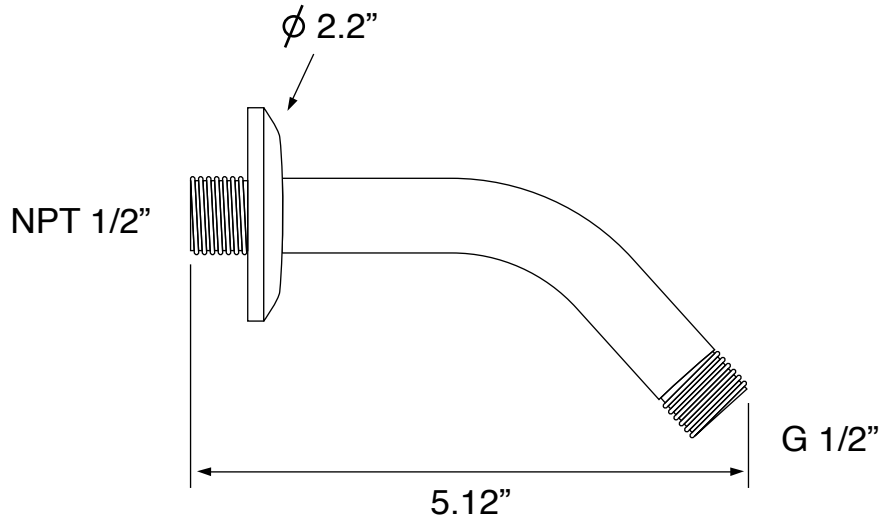
See website for warranty information details.

## Color/Finish Details

Color	Code	Description
	CR	Polished Chrome

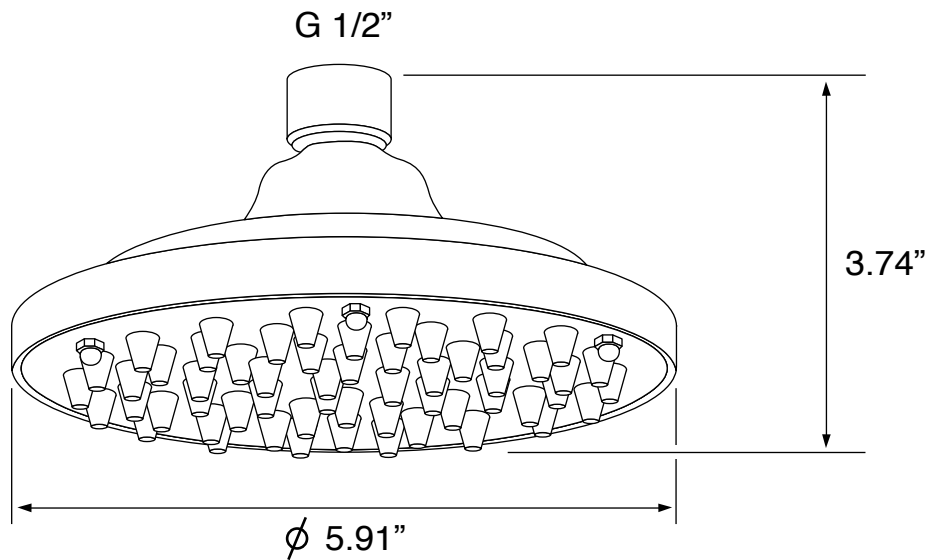
## Shower Arm

Remer 342US-CR



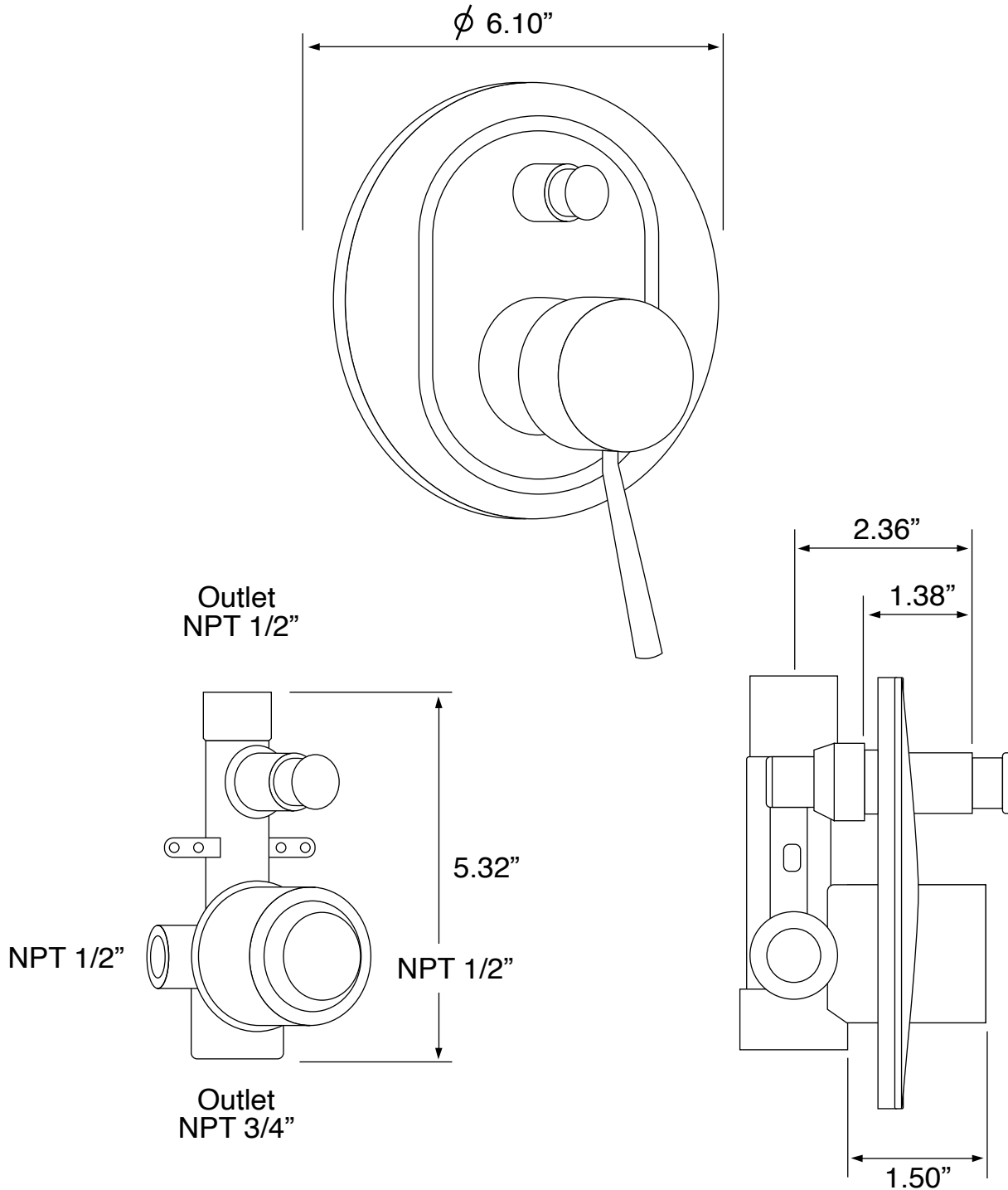
## Rain Shower Head

Remer 35315



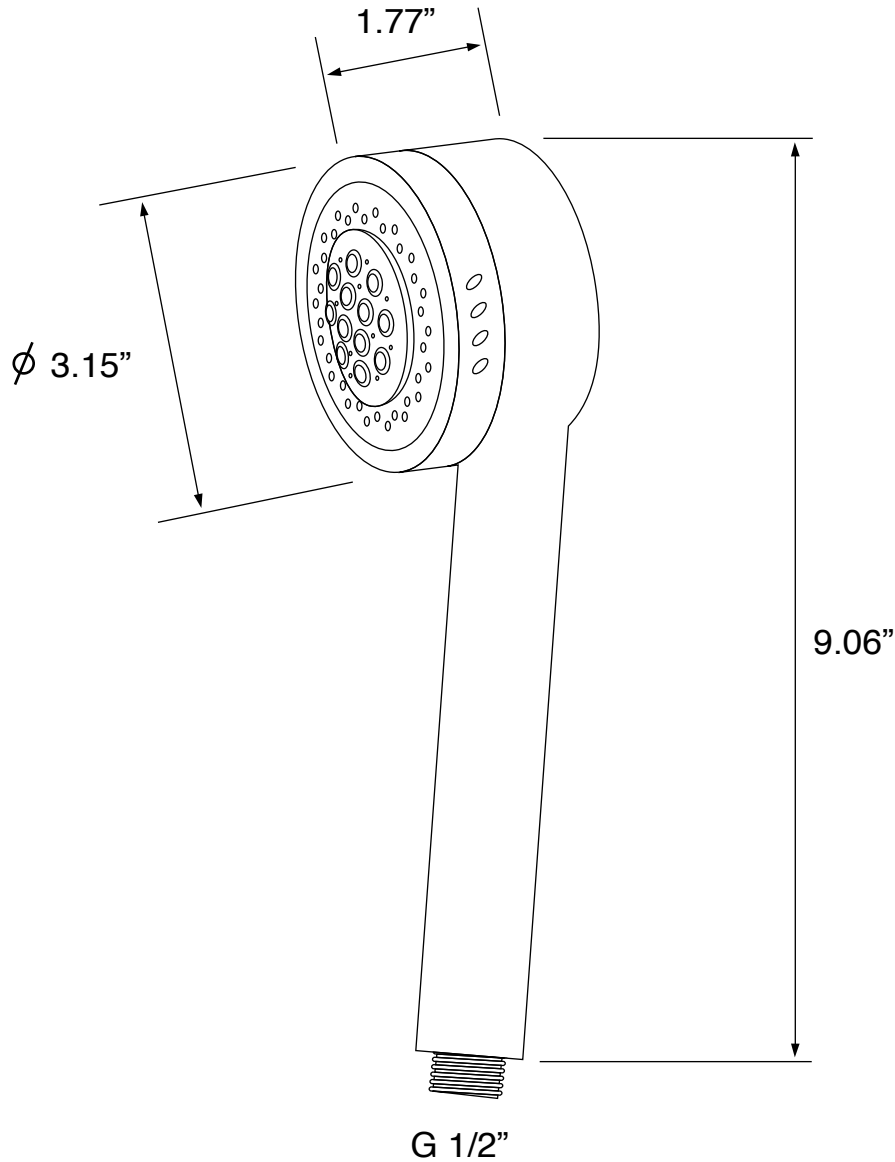
## Shower Valve (Trim + Rough-in Valve)

Remer N09-CR



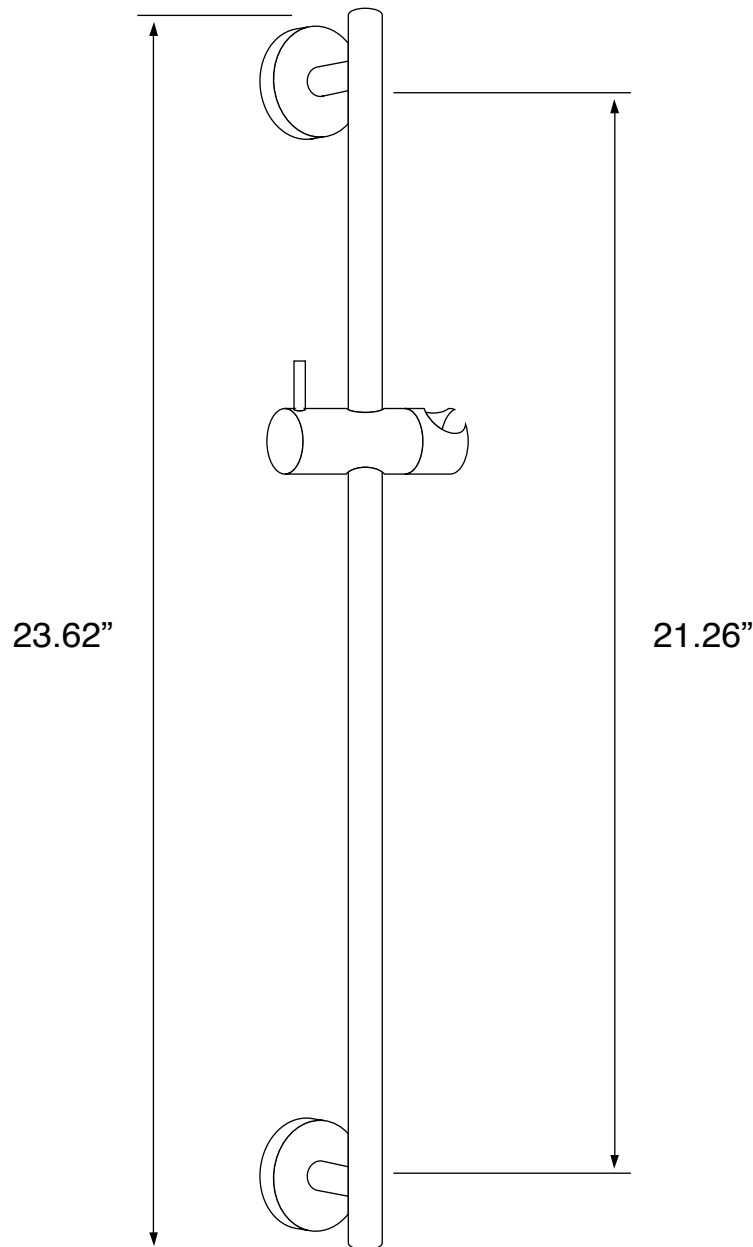
## Hand Shower

Remer 321HG



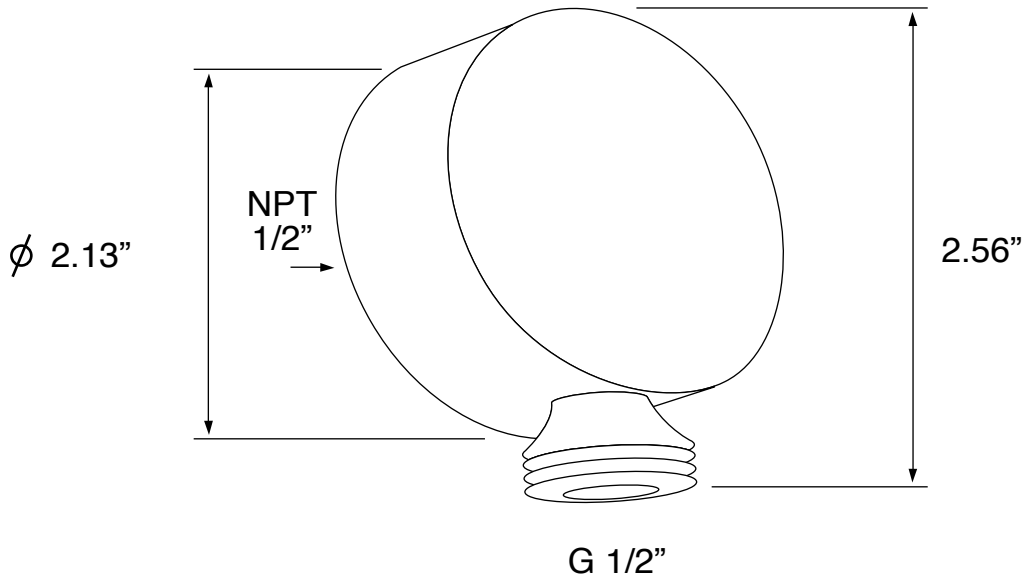
## Sliding Rail

Remer 317M



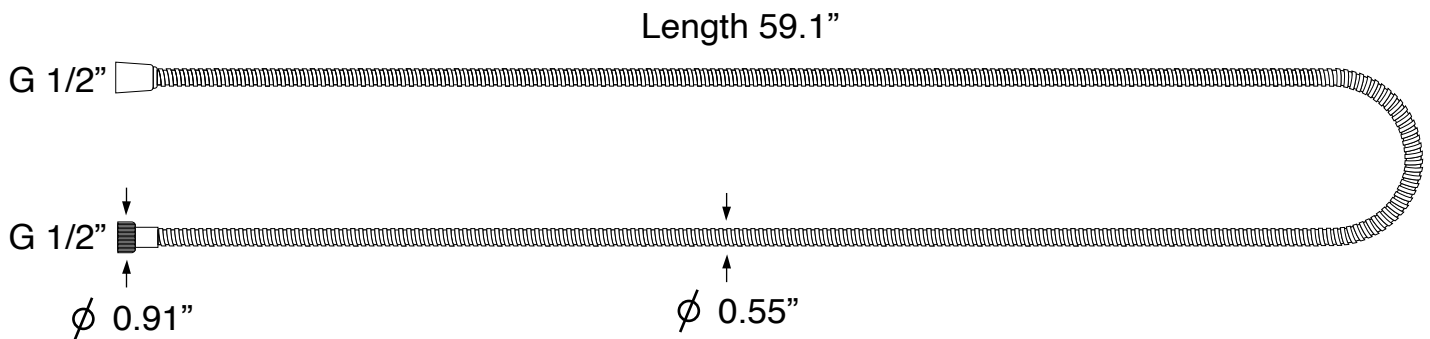
## Water Connection

Remer 309LUS-CR



## Shower Hose

Remer 333CNX150-CR



## Technical Information

Shower head size:	5.91"
Shower head type:	Rain
Pivoting shower head:	Yes
Shower arm length:	5.12"
Rough-in included:	Yes
Material:	Brass ABS
Cartridge type:	Pressure balance Ceramic disc technology
Hand shower functions:	Wide Vigorous

## Notes

This item is recommended to be installed by a licensed plumber or professional only. Please ensure to observe all local and building code requirements. Shut off water supply prior to installation.

Includes mounting hardware.