

### Features

- Modern design.
- 3x magnification.
- Folding and extending arm.
- Double face.
- Easy cleaning.
- Designer quality.

### Material

- Satin nickel brass mirror.

### Installation

- Wall mounted installation.

### Magnifications


- 3x

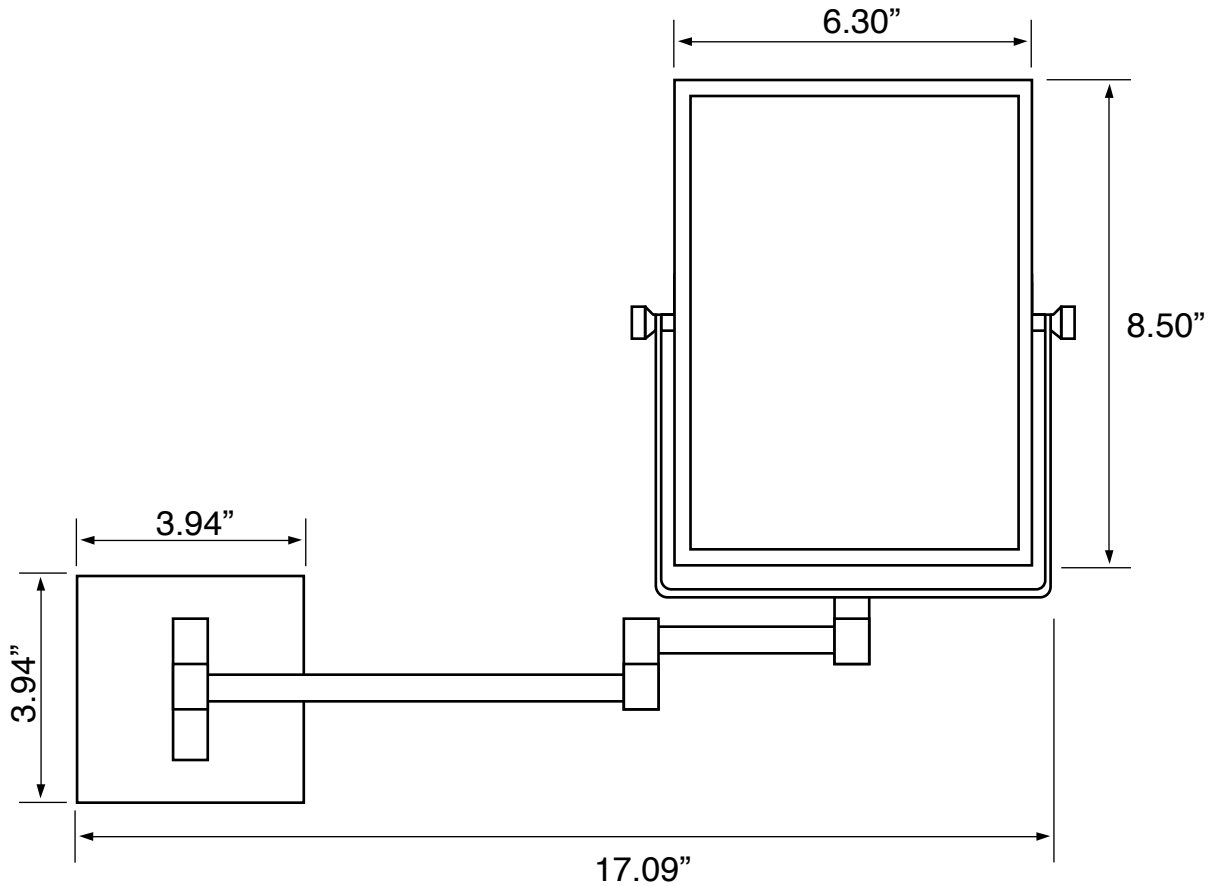


### Nameek's One-Year Limited Warranty

See website for warranty information details.

### Color/Finish Details

Color	Code	Description
	SNI	Satin nickel



### Technical Information

Face type:	Double (1x/3x)
Arm type:	Double, Folding
Installation:	Wall mounted
Face dimensions:	Height: 8.5" Width: 6.3"
Extension length:	12"
Magnifications:	3x
Weight:	4.2 lbs

### Notes

Install this product according to the installation instructions.

Includes mounting hardware.