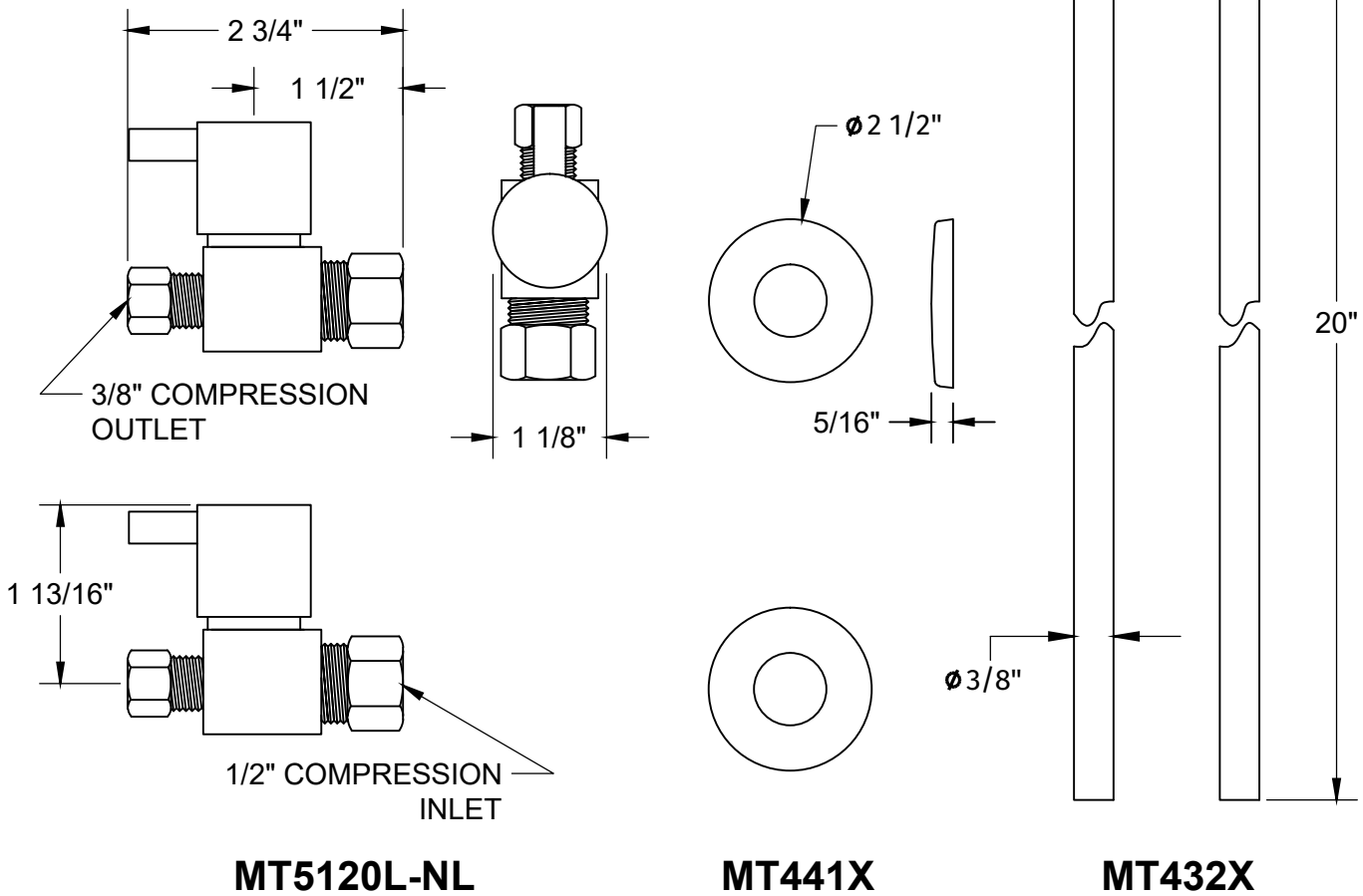


# MT5121L-NL

## LAVATORY SUPPLY KIT

### SPECIFICATION SHEET

- TWO LEAD FREE cUPC CERTIFIED MT5120L-NL VALVES WITH 1/4 TURN CERAMIC DISC CARTRIDGE
- (5/8" O.D.) 1/2" COMPRESSION INLET
- 3/8" O.D. COMPRESSION OUTLET
- TWO MT432X NO LEAD SUPPLY TUBES
- TWO MT441X SURE GRIP WALL ESCUTCHEONS
- OFFERED IN MANY STANDARD DECORATIVE FINISHES
- SPECIAL FINISHES AVAILABLE UPON REQUEST



**MT5120L-NL**

**MT441X**

**MT432X**

#### WARRANTY

FOR WARRANTY INFO PLEASE VISIT [WWW.MOUNTAINPLUMBING.COM/PAGE/RESOURCES/WARRANTY](http://WWW.MOUNTAINPLUMBING.COM/PAGE/RESOURCES/WARRANTY)

#### FINISH CARE & MAINTENANCE

NEVER USE ANY HARSH ALKALI, ACID BASED DETERGENTS OR CLEANERS SUCH AS SOFT SCRUB®, SCRUBBING BUBBLES® OR COMET® TO CLEAN. DO NOT USE BRILLO® OR SCOTCH BRITE® PADS. THESE WILL ALL HARM THE FINISH. TO CLEAN, USE ONLY A DAMP SOFT CLOTH AND WIPE GENTLY. STANDARD WINDEX® CAN ALSO BE USED SPARINGLY. IT IS NOT NECESSARY TO WIPE HARD TO REMOVE SPOTS. TO MAINTAIN THE FINISH, WIPE WITH A SOFT DRY CLOTH AFTER USE. AN OCCASIONAL COAT OF PURE CARNAUBA WAX WITHOUT CLEANERS WILL HELP PROTECT THE FINISH.

SPECIFICATIONS SUBJECT TO CHANGE WITHOUT NOTICE

[www.mountainplumbing.com](http://www.mountainplumbing.com) 888-222-9140 fax 972-456-2719

MT5121L-NL