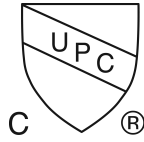


# MT115

## KITCHEN SINK STRAINER WITH DEEP BASKET AND COVER

### SPECIFICATION SHEET

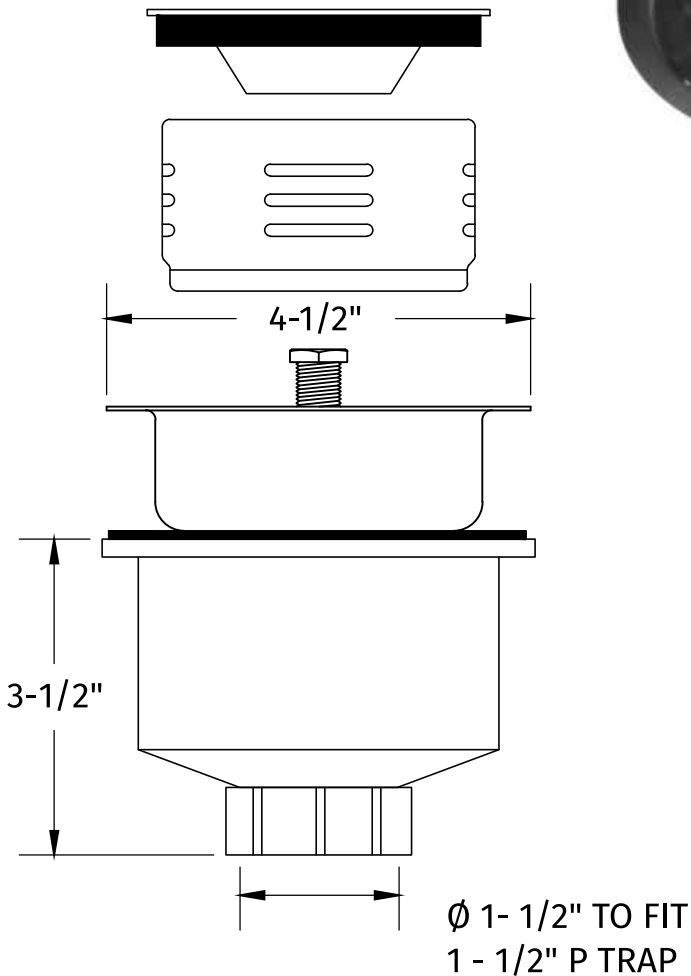


A McAlpine Company



# Mountain

Plumbing Products



- WILL FIT STANDARD Ø3 - 1/2" DRAIN OPENING
- REMOVABLE STRAINER BASKET AND STOPPER FOR SEALING WATER
- FITS SINKS UP TO 7/8" THICK (FOR THICKER SINKS, ORDER BRBOLT/90 TO ALLOW UP TO 2 - 3/4" THICKNESS)

#### WARRANTY

FOR WARRANTY INFO PLEASE VISIT [WWW.MOUNTAINPLUMBING.COM/PAGE/RESOURCES/WARRANTY](http://WWW.MOUNTAINPLUMBING.COM/PAGE/RESOURCES/WARRANTY)

#### FINISH CARE & MAINTENANCE

NEVER USE ANY HARSH ALKALI, ACID BASED DETERGENTS OR CLEANERS SUCH AS SOFT SCRUB , SCRUBBING BUBBLES OR COMET TO CLEAN. DO NOT USE BRILLO AND SCOTCH BRITE PADS. THESE WILL ALL HARM THE FINISH. TO CLEAN, USE ONLY A DAMP SOFT CLOTH AND WIPE USING A SOFT CLOTH. STANDARD WINDEX CAN ALSO BE USED SPARINGLY. IT IS NOT NECESSARY TO WIPE HARD TO REMOVE SPOTS. TO MAINTAIN THE FINISH, WIPE WITH A SOFT DRY CLOTH AFTER USE. AN OCCASIONAL COAT OF PURE CARNAUBA WAX WITHOUT CLEANERS WILL HELP PROTECT THE FINISH.

SPECIFICATIONS SUBJECT TO CHANGE WITHOUT NOTICE