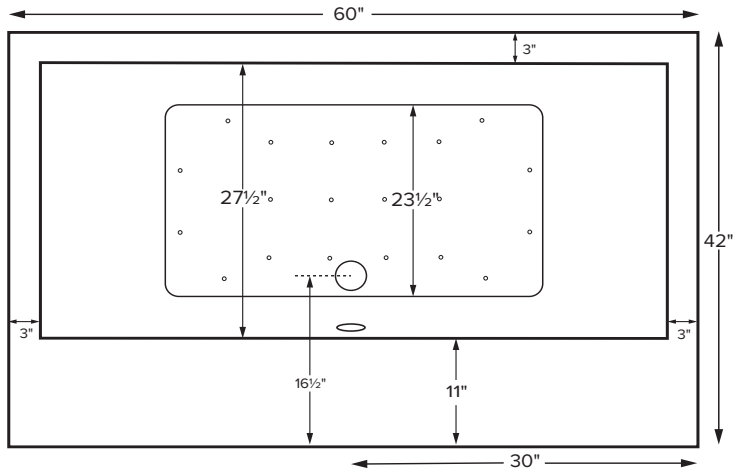




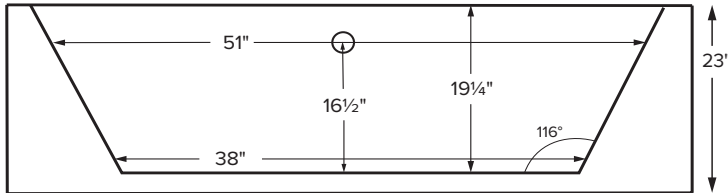
Available as a freestanding model or finished on 1, 2 or 3 sides for various installation applications.

Metro 2
with Sculpted Finish®

MODEL 84A	
60" x 42" x 23"	
FREESTANDING or ALCOVE <i>Not recommended as a tub/shower combination</i> 74 gal to overflow	
Acrylic CXL®	DoloMatte®
150 lbs / 68 kg	<SOAKER> 169 lbs / 77 kg
Filling this tub to the maximum may require an above average size or dedicated water heater.	



Features a flat 11" deck surface on the drain side for mounting faucetry. Drain kit sold separately. Shown as Air Bath



ELECTRICAL COMPONENTS & SPECIFICATIONS		
Hydrotherapy Package	Components Included	GFCI/110V
Microbubbles	Microbubbles pump	1-15 amp
Air Massage	heated blower	1-15 amp
Microbubbles with Air	Microbubbles pump, heated blower	1-20 amp
Air Massage Elite	heated blower, chromatherapy	1-15 amp
Microbubbles with Air Elite	Microbubbles pump, heated blower, chromatherapy	2-15 amp

Electrical requirements may change with the addition of optional therapy components. See specific option details or installation information, CSA Certified C/US; B45.5/IAPMO ANSI Z124.1 and ANSI 112.19.7

See the Installation & Operation Manual for more details.
MTI's Customer Service: Monday-Friday 8am-6pm EST
800-783-8827 or service@mtibaths.com

IMPORTANT ORDERING & INSTALLATION INFORMATION

- Before ordering or installing, please consider future access to equipment.
- Unless ordering Sculpted Finish on 4 sides, please include a diagram specifying which sides will need to be finished, along with location of optional tile flange(s).
- Drain is not included with this tub model.
- When ordering an air bath, the air blower must be remote mounted.
- Microbubbles system components must be installed on a non-Sculpted Finish side. Components will extend beyond the perimeter of the tub. Call MTI for specific details regarding the desired installation before placing the order.
- Radiance placed on floor locations will affect placement of air jets.
- Hydrotherapy equipment may ship loose for remote installation. See package content on the following page for details. Specifications and configurations are subject to change without notice.
- All tubs are compliant with ASTM C 1028-07 coefficient of friction. DoloMatte meets ANSI A137.1/A326.3 coefficient of friction and AS HB198:2014 slip tests.

• Options and accessories may be packaged inside the tub crate. Always check packaging before discarding.
• All product measurements are ±1/2".
• Specifications and configurations are subject to change without notice.
• Measurements herein supersede all others published prior to publication date below.



For more information on hydrotherapy packages please visit: mtibaths.com/wellness/

Metro 2
with Sculpted Finish®
MODEL 84A
60" x 42" x 23"

Hydrotherapy Packages	Package Contents	Sculpted Finish Sides	Acrylic CXL®		DoloMatte®	
			Part #	MSRP	Part #	MSRP
Soaker	Soaking bath - no jets, pre-leveled foam base	4-sides sculpted	S84A4	\$8,520	S84D4	\$9,600
		3-sides sculpted	S84A3	\$7,875	S84D3	\$8,820
		2-sides sculpted	S84A2	\$6,340	S84D2	\$7,150
		1-side sculpted	S84A1	\$5,965	S84D1	\$6,640
Microbubbles	1 infusion port, microbubbles pump, pre-leveled foam base	4-sides sculpted	n/a	n/a	n/a	n/a
		3-sides sculpted	M84A3	\$10,865	M84D3	\$11,810
		2-sides sculpted	M84A2	\$9,330	M84D2	\$10,140
		1-side sculpted	M84A1	\$8,955	M84D1	\$9,630
Air Massage	20 air jets, heated air blower, pre-leveled foam base	4-sides sculpted	AST84A4	\$11,805	AST84D4	\$12,885
		3-sides sculpted	AST84A3	\$11,160	AST84D3	\$12,105
		2-sides sculpted	AST84A2	\$9,625	AST84D2	\$10,435
		1-side sculpted	AST84A1	\$9,250	AST84D1	\$9,925
Air Massage Elite	30 air jets, heated air blower, Chromatherapy LED lighting, Spa Mode, pre-leveled foam base	4-sides sculpted	AE84A4	\$13,515	AE84D4	\$14,595
		3-sides sculpted	AE84A3	\$12,870	AE84D3	\$13,815
		2-sides sculpted	AE84A2	\$11,335	AE84D2	\$12,145
		1-side sculpted	AE84A1	\$10,960	AE84D1	\$11,635
Microbubbles with Air Massage	1 infusion port, microbubbles pump, 20 air jets, heated air blower, pre-leveled foam base	4-sides sculpted	n/a	n/a	n/a	n/a
		3-sides sculpted	ASTM84A3	\$13,610	ASTM84D3	\$14,555
		2-sides sculpted	ASTM84A2	\$12,075	ASTM84D2	\$12,885
		1-side sculpted	ASTM84A1	\$11,700	ASTM84D1	\$12,375
Microbubbles with Air Massage Elite	1 infusion port, microbubbles pump, 30 air jets, heated air blower, Chromatherapy LED lighting, Spa Mode, pre-leveled foam base	4-sides sculpted	n/a	n/a	n/a	n/a
		3-sides sculpted	AEM84A3	\$14,890	AEM84D3	\$15,835
		2-sides sculpted	AEM84A2	\$13,355	AEM84D2	\$14,165
		1-side sculpted	AEM84A1	\$12,980	AEM84D1	\$13,655

Microbubbles system components must be installed on a non-Sculpted Finish® side.

Components will extend beyond the perimeter of the tub. Call MTI for specific details regarding the desired installation before placing order.

For more customized applications, additional hydrotherapies may possibly be integrated in Sculpted Finish® tubs, depending on the types of therapy and the installation application. Visit mtibaths.com or call MTI at 800.783.8827.

RECOMMENDED SENSORY THERAPIES

Chromatherapy

(LE) **\$800** underwater lighting
2 LED lights included

Audiotherapy

(STEREOBT) **\$1,390** 2 transducers with bluetooth and amplifier
(BTREMOTE) **\$600** bluetooth remote

(STEREOH202) **\$1,575** 4 transducers
amplifier not included

Thermaltherapy

(RAD100) **\$1,595** Radiance®
2 heated zones included
Zones may be specified on Metro tub deck.



For more information on options and accessories go to Acrylic Tub Options on mtibaths.com

Metro 2 with Sculpted Finish®
MODEL 84A

Options <i>Must be ordered at time of purchase.</i>
Standard Color White (CWH) gloss Acrylic CXL, matte DoloMatte
Textured, Slip-Resistant Bottom (TXTBTM) \$105 DoloMatte® exceeds ANSI A137.1/A326.3 and AS HB198 slip tests.
Ozonator (OZONE) \$515
Virtual Spout high-flow integrated tub filler (FPMJ) \$450 <i>Must be located on same side as tub deck. Specify location when ordering.</i>
Installation Options <i>Must be ordered at time of purchase.</i>
Tile Flange Factory Installed rigid ABS 1 Side (TFK1) \$175 2 Sides (TFK2) \$185 3 Sides (TFK3) \$200 Field Install Kit (TFKNI) \$185 Includes rigid ABS & adhesive

IMPORTANT: *Must specify flange location(s) on order of Factory-Installed Flange.*

Accessories
Pillows from \$180
Teak Bath Mat (TKMAT3018) \$815 <i>Custom sizes also available. Contact MTI for details and pricing.</i>
Teak Tub Tray Slatted (TK-TRAY1) \$500 Solid (TK-TRAY2) \$570
Floor-Mounted High-Flow Tub Filler Contemporary Chrome (FILLC) \$1,480 Brushed Nickel (FILLBN) \$1,710

Drains & Overflow Kits *Toe Tap Rectangular Overflow must be ordered at time of purchase*

Cable Driven

Drain Finishes – PVC Drain Kit

- White/Bone/Biscuit (WOCDDW) **\$440**
- Chrome (WOC) **\$410**
- Brushed Nickel (WOCDBN) **\$490**
- Polished Nickel (WOCDPN) **\$540**
- Oil-Rubbed Bronze+ (WOCDDOR) **\$550**
- Polished Brass (WOCDBR) **\$690**
- Special Finishes* (WOCDSF) **\$1,135**

MTI does not offer a brass body cable drain kit.

Lift & Turn

Drain Finishes – PVC Drain Kit

- Chrome (WOC) **\$185**
- White (WOW) **\$245**
- Brushed Nickel (WOBN) **\$305**

Toe Tap

Round Overflow – PVC Drain Kit

- Chrome (WOTTC) **\$380**
- Brushed Nickel (WOTTBN) **\$385**
- Polished Nickel (WOTTPN) **\$385**
- Special Finishes* (WOTTSF) **\$1,145**

Round Overflow – Solid Brass Drain

- Chrome (WOTTSBC) **\$810**
- Brushed Nickel (WOTTSBBN) **\$810**
- Polished Nickel (WOTTSBPN) **\$810**

Rectangular Overflow – PVC Drain Kit

- Chrome (WOTRC) **\$470**
- Brushed Nickel (WOTRBN) **\$430**
- White (WOTRW) **\$525**

Slim-Line Overflow with Toe Tap Drain *Must be ordered at time of purchase.*

- Low profile overflow is factory installed
- Overflow measures 4.5" x 1"
- Provides a deeper soak
- Not available for commercial applications

Slim-Line Overflow with Toe Tap Drain

- PVC Drain
- Chrome (SLOT) **\$500**
- Brushed Nickel (SLOTBN) **\$530**
- Polished Nickel (SLOTPN) **\$555**
- White (SLOTW) **\$430**

Slim-Line Overflow with Toe Tap Drain

- Solid Brass Drain
- Chrome (SLOTSBC) **\$930**
- Brushed Nickel (SLOTSBBN) **\$935**
- Polished Nickel (SLOTSBPN) **\$935**
- White (SLOTSBW) **\$965**



Optional Slim-Line overflow

* MTI has selected an oil-rubbed bronze finish that is compatible with Delta and many other manufacturers. To ensure best match, order as a Special Finish and submit a sample.
* Allow 2-4 weeks lead time for Special Finishes. Send sample for best match.

