

## DESCRIPTION

- ADA compliant operation
- Metal and brass construction with various finishes identified by suffix
- Inlets and outlets on same plane


## OPERATION

- Lever style handle
- Detents at each flow position
- Rotary 360° handle operation
- Valve operates 3 distinct functions

## CARTRIDGE

- Ceramic disk cartridge
- Pair with 3362, 3 function transfer rough-in valve

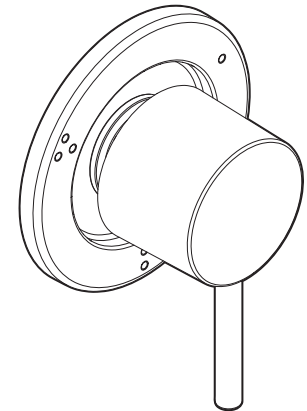
## STANDARDS

- Third party certified to meet ASME A112.18/CSA B125.1 and all applicable requirements therein
- **ADA**  for lever handle

## WARRANTY

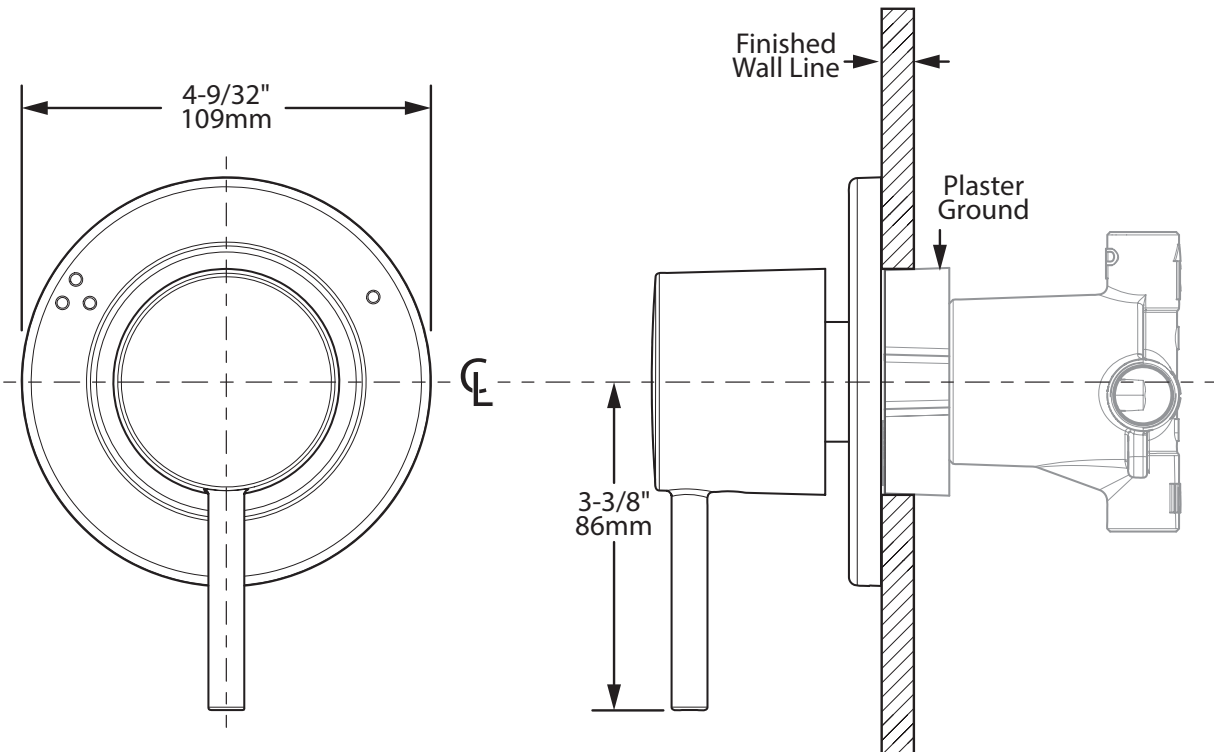
- Lifetime limited warranty against leaks, drips and finish defects to the original homeowner
  - 10 year limited warranty when used in a multifamily installation
  - 5 year limited warranty when used in a commercial installation
- Visit [www.moen.com/support](http://www.moen.com/support) for complete details and limitations

**NOTE:** This valve is not intended to be used as a shut-off valve. To prevent the potential of cross flow, check valves must be integral to the supply valve or installed in both hot and cold water supply lines.



**Align™**  
**Three-Function**  
**Transfer Valve Trim Kit**

**Models:** T4192 series  
(Use with 3362 valve)



## CRITICAL DIMENSIONS

(DO NOT SCALE)