

Shower Rods Technical Specification

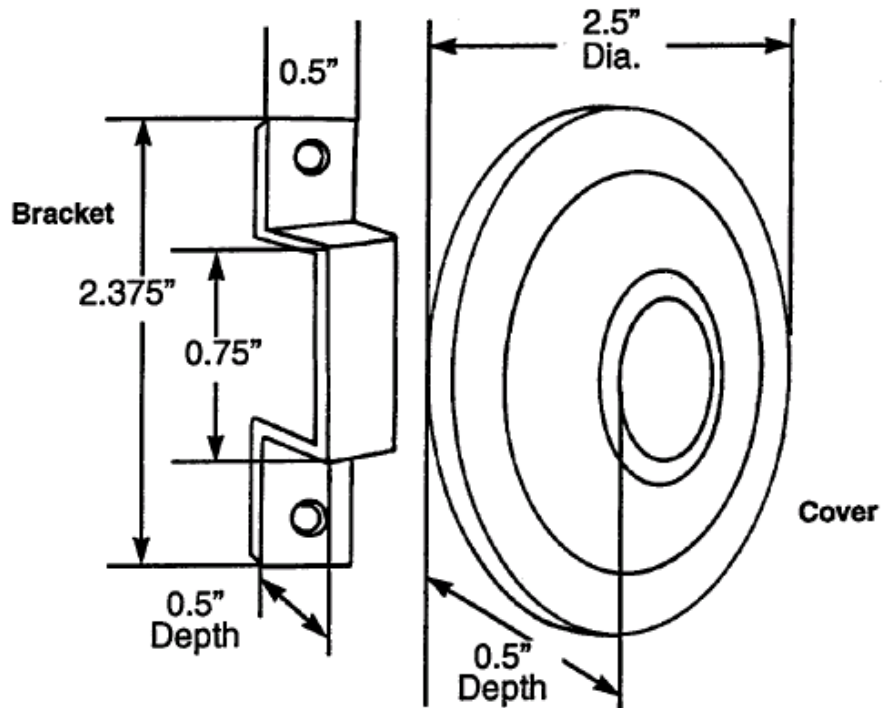
Shower Rod Flange Set

61-F

Stock Numbers:

- **61-F –Shower Rod Flange Set**
Polished Chrome Finish
Concealed Screw Mounting
Two Assemblies per Set
Fits 1" Diameter Rods

Dimensions:



Materials:

Shower Rod Flanges are stamped steel. Flange covers have a triple plated polished chrome finish.

Installation Instructions:

1. Position rod in shower opening in desired location.
2. Mark rod ends on walls.
3. Position brackets so that they are centered over rod outlines and mark mounting holes.
4. Drill starter holes.
5. Attach left bracket to wall using 1" screws (provided).
6. Slide left cover on left end of rod and mount on installed bracket.
7. Place right cover on right end of rod.
8. Insert right bracket into right end of rod.
9. Place end of rod in position and attach bracket to wall with 1" screws (provided).
10. Snap covers into place over brackets.

Note: Wood blocking is preferable behind all wall surfaces. If wood blocking is not available, the following optional fasteners are suggested: Tile/Masonry – Plastic or Lead Anchors; Plaster/Drywall – Toggle Bolts

Stock Number: _____ **Shower Rod Flanges**
By Creative Specialties



25300 AL MOEN DRIVE • NORTH OLMSTED, OH 44070
CORPORATE HEADQUARTERS: (800) 321-8809 • FAX: (800) 848-6636
INTERNATIONAL: (440) 962-2000 • FAX: (440) 962-2726
CUSTOMER SERVICE (USA): 800-882-0116 • FAX: (888) 379-2720
WWW.MOEN.COM

©Copyright Creative Specialties International

Literature #BA1635