

Electronic Instant Hot Water Tank

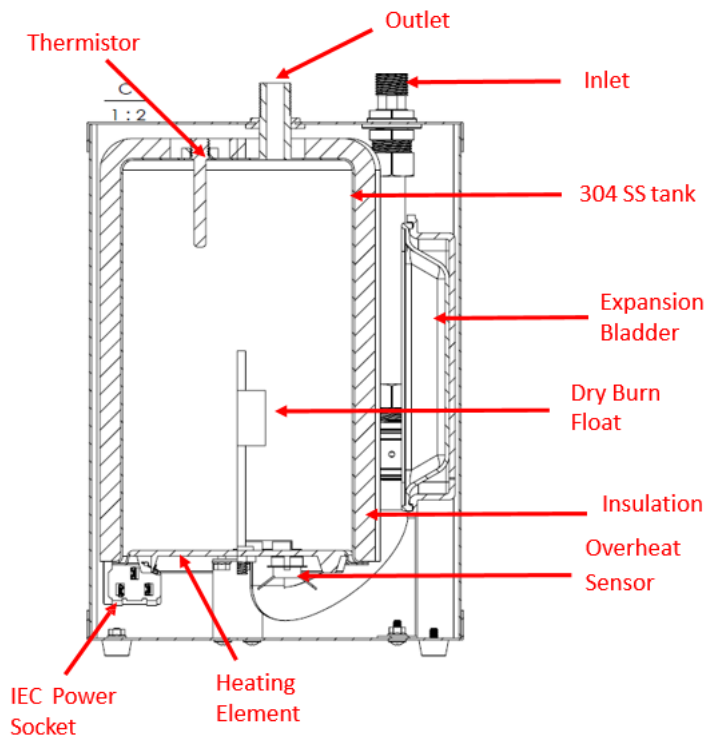
Product Specifications

FEATURES

- Digital thermostat and electronic temp control from 167°F to 208°F
- 6 Temperature presets remove guesswork out of temperature selection
- Precise temperature control, accurate to +/- 1.0°F
- Produces up to 208° water instantly
- 1500 watt heating element for rapid recovery providing hot water at 4 ½ minutes re-heat and 8 minutes from cold
- Connects to a standard 120V outlet
- Compact design, easily fits in a standard under-sink kitchen base unit
- 3/5 gallon stainless steel tank
- Advanced design prevents leaks and dripping
- 1-Year Limited Warranty



LXHWT1500



Warranty

See warranty information for more details.

All dimensions listed are nominal. Luxart® reserves the right to make product and material changes at any time without notice.



Contact your sales representative for more information or visit our website at luxartcollection.com