

### Specifications:

<b>Installation:</b>	Wall hung
<b>Dimensions:</b>	14 1/2" w x 22 1/4" d x 14 3/4" h
<b>Material:</b>	Porcelain
<b>Flush System:</b>	Concealed in-wall dual flush
<b>Waste Outlet:</b>	Wall
<b>Bowl Shape:</b>	Oval
<b>Trap Diameter:</b>	3" ID, 4" OD
<b>Water Use:</b>	1.6 gpf and 0.8 gpf
<b>Weight:</b>	54 lbs
<b>Finishes:</b>	MB - Matte black
<b>Includes:</b>	Support brackets for wall-hung toilets 111.847.00.1 with small contact surfaces (thin profiles)

**Must be installed on the carrier before wall is closed**



### Features:

- Porcelain toilet with composite seat cover
- Requires concealed flushing system and flush actuator (sold separately)
- Soft closing seat and seat cover included
- Easy-clean porcelain finish
- Low consumption dual flush system (1.6 gpf and 0.8 gpf)

### Codes + Standards:

- Meets and exceeds applicable national codes and standards
- CAL-Green compliant



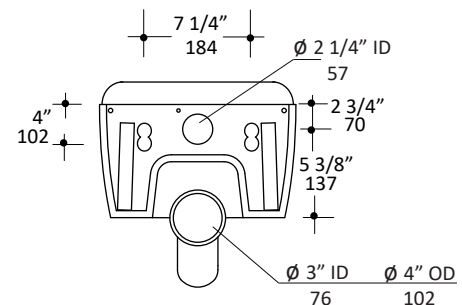
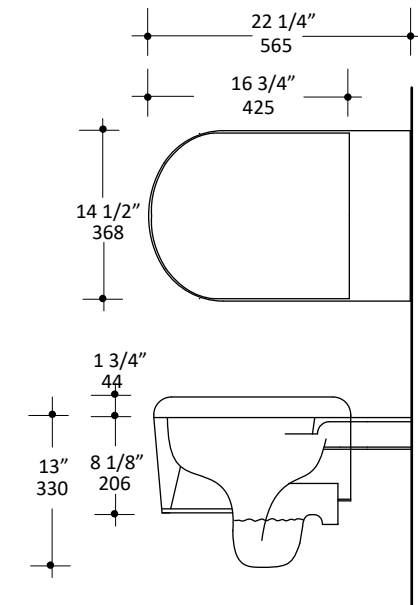
compliant when installed to specific requirements of this regulation

### Required Items:

- GE111335005: Geberit in-wall tank & carrier system
- GE115770: Geberit Sigma10 dual-flush actuator or
- GE115778: Geberit Sigma20 dual-flush actuator or
- GE115788: Geberit Sigma50 dual-flush actuator

### Recommended Items:

- N5051CW: Replacement soft-closing seat and cover
- 2959 - Wood box for in-wall tank and carrier.  
-Available in all Lacava wood finishes



LACAVA reserves the right to revise any dimension or information on this sheet without notice. Dimensions are nominal and may vary within an industry accepted tolerance of 1/4". Drawings provided herein are meant to give the user an idea of the product and are not made to scale. Location of plumbing is meant for reference, your specific application may vary.

Revised: 6/26/2019