



# Tea-for-Two®

66" Heated BubbleMassage™ air bath  
K-856-GHNY

## Features

- 44 airjets release thousands of heated bubbles that surround, support, and massage the body.
- Variable-speed blower lets you adjust massage intensity to 18 levels.
- Automatic and manual purge cycles remove residual water from air channels after use.
- Spacious design accommodates up to two bathers.
- Lighted keypad control.
- 60-minute automatic shutoff timer.
- Safeguard® slip-resistant surface on bath floor.
- Integral lumbar support.
- Color-matched jet trim.

## Material

- KOHLER® enameled cast iron.

## Technology

- Heated BubbleMassage™ technology warms and humidifies air before it enters the bath.

## Installation

- Drop-in or undermount.
- Reversible drain.
- 120V electrical requirement allows for easy installation with standard outlet.
- Requires two dedicated circuits.

## Required Products/Accessories

K-7147-AF 1-1/2" Contoured Pop-up Drain

## Recommended Products/Accessories

K-1705 Whirlpool/BubbleMassage™ Remote Control  
K-587 Under-Mount Installation Kit  
K-9498 3" Keypad Trim  
K-1179 Vinyl Tiling-in Bead

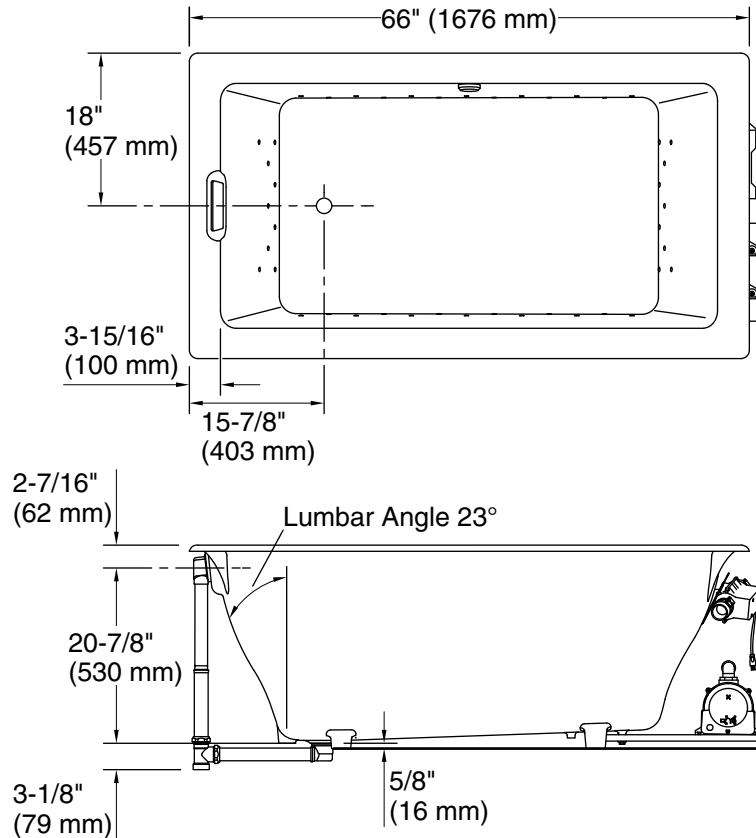


## Codes/Standards

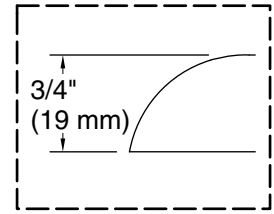
ASME A112.19.7/CSA B45.10  
ASME A112.19.1/CSA B45.2  
ASTM F462  
UL 1795  
CSA C22.2 No. 218.2

**KOHLER® Hydrotherapy Components  
Five-Year Limited Warranty  
KOHLER® Plastic Baths and Receptors  
Lifetime Limited Warranty**

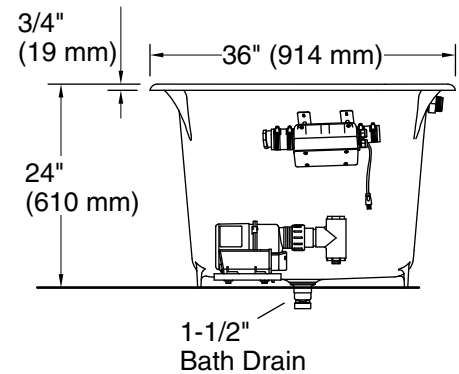
See website for detailed warranty information.



No change in measurements if connected with drain illustrated. (K-7169AF)



Blower Motor Access  
 20" (508 mm) W x 15" (381 mm) H Min



### Required Electrical Service

Two dedicated circuits required, protected with Class A Ground-Fault Circuit-Interrupter (GFCI). Outside North America, this device may be known as a Residual Current Device (RCD).

Blower: 120 V, 15 A, 60 Hz  
 Air bath: 120 V, 15 A, 60 Hz

### Technical Information

All product dimensions are nominal.

Installation: Drop-in, Undermount  
 Drain location: End  
 Basin area, bottom: 45" x 25" (1143 mm x 635 mm)  
 Basin area, top: 58" x 29" (1473 mm x 737 mm)  
 Weight: 510 lbs (231.3 kg)  
 Minimum floor load: 86 lbs/ft² (419.9 kg/m²)  
 Water depth: 19-1/2" (495 mm)  
 Water capacity: 105 gal (397.5 L)  
 Cutout: Drop-in, 64-1/2" x 34-1/2" (1638 mm x 876 mm)  
 Template: K-587, not required, not included  
 Electrical component rating: Blower: 120 V, 10 A, 60 Hz  
 Air bath: 120 V, 5 A, 60 Hz

### Notes

Measure your actual product for rough-in details. Install this product according to the installation instructions.

The hot water supply should be 70% of the capacity of the bath or greater. Installations will vary.