

Features

- Part of K-3159-NA
- Constructed of 16-gauge stainless steel
- 33"L x 18"W
- Basin depth: 9"
- Double equal basins
- Undercounter installation
- No faucet holes
- SilentShield™ sound-absorption technology
- Please order the K-3159-NA sink which includes the following:
sink, cutting board and sink rack



Recommended Products/Accessories

- K-3142 Sink Rack
- K-6377 Sponge Caddy
- K-6378 Kitchen Brush Caddy
- K-8801 Sink Strainer
- K-8799 Sink Strainer
- K-6379 Kitchen Squeegee

Optional Products/Accessories

- K-3140 Cutting Board
- K-6133 Wine Glass Rack

Included Components

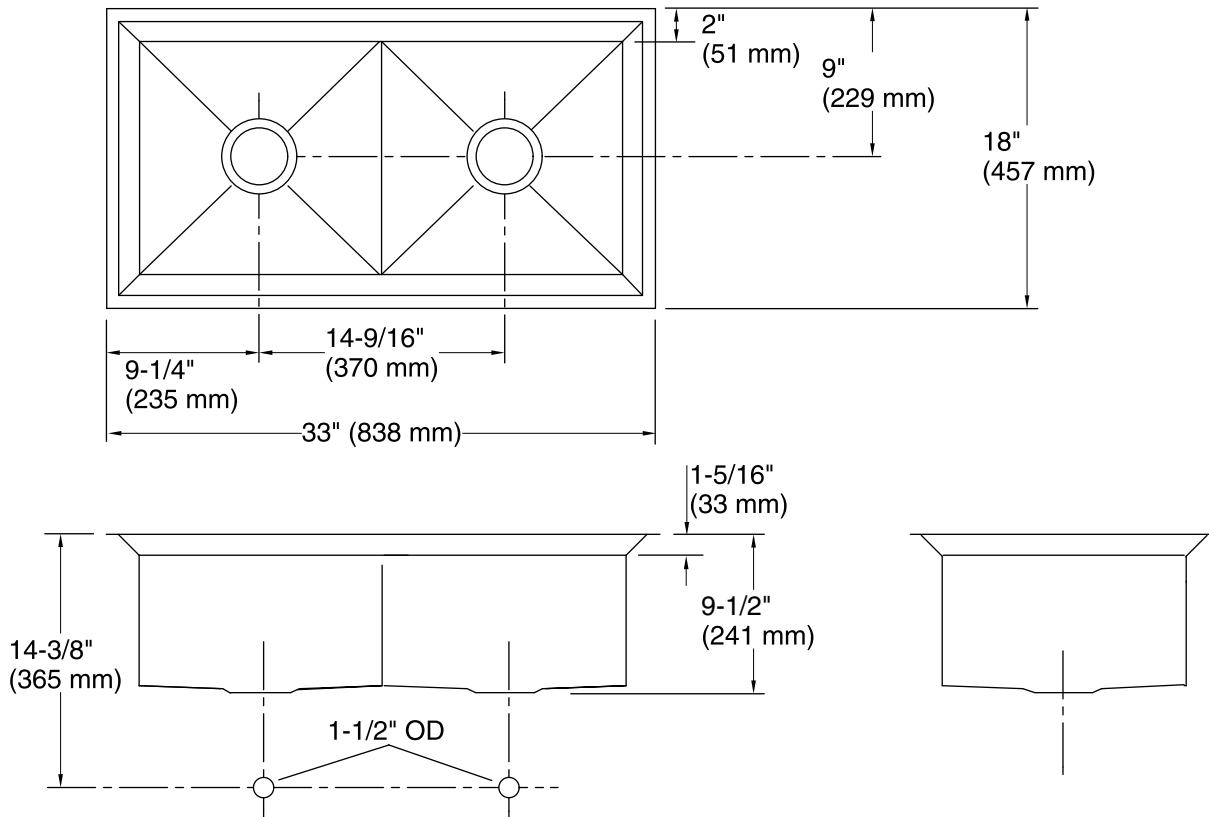
- Product consists of:
- 91915 Hardware Kit

Codes/Standards

ASME A112.19.3/CSA B45.4

Lifetime Limited Warranty for KOHLER® Stainless Steel Sinks

See website for detailed warranty information.



Technical Information

All product dimensions are nominal.

Bowl configuration:	Double equal
Installation:	Under-mount
Min. base cabinet width:	36" (914 mm)
Bowl area (Left):	Length: 14-7/16" (367 mm) Width: 14" (356 mm) Bowl depth: 9-3/16" (233 mm)
Bowl area (Right):	Length: 14-7/16" (367 mm) Width: 14" (356 mm) Bowl depth: 9-3/16" (233 mm)
Drain hole:	3-5/8" (92 mm)
Template:	1021992-7, required, included

Notes

Install this product according to the installation instructions.