

Features

- Decked oval shape creates a graceful and spacious bathing experience.
- Molded lumbar support and armrests offer extra comfort while bathing.
- Integral flange helps prevent water from seeping behind wall and simplifies alcove installation.
- Left-hand drain.

Material

- Acrylic

Installation

- Three-wall alcove.

Additional Hydrotherapy Options

- Soaking Bath - 1113-L
- BubbleMassage air bath - 1112-GLF
- Whirlpool - 1112-L
- Whirlpool + heater - 1112-LH

Recommended Products/Accessories

K-11677 Bath Drain
K-7166-AF Bath Drain
K-24916 Wireless Music Kit



Codes/Standards




CSA B45.5/IAPMO Z124
ASTM E162
ASTM E662

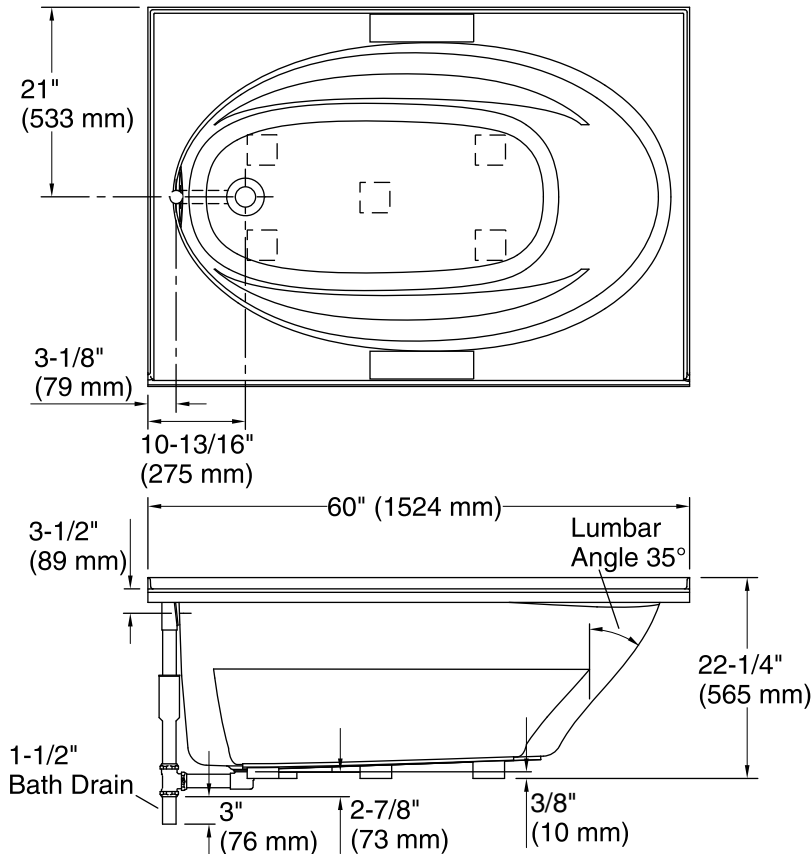
KOHLER® Plastic Baths and Receptors Lifetime Limited Warranty

See website for detailed warranty information.

Available Colors/Finishes

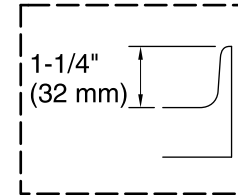
Color tiles intended for reference only.

Color	Code	Description
	0	White
	96	Biscuit
	47	Almond

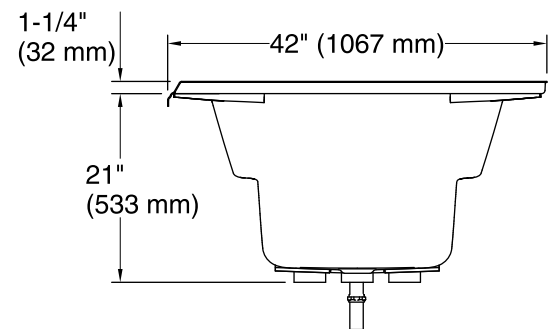


No change in measurements if connected with drain illustrated. (K-11677)

Recommended Faucet Location



Tile Flange Detail



Technical Information

All product dimensions are nominal.

Installation:	Three-wall alcove
Drain location:	Left
Basin area, bottom:	41" x 20-1/2" (1041 mm x 521 mm)
Basin area, top:	53-1/2" x 32-1/8" (1359 mm x 816 mm)
Weight:	80 lbs (36.3 kg)
Minimum floor load:	33 lbs/ft ² (161.1 kg/m ²)
Water depth:	15" (381 mm)
Water capacity:	57 gal (215.8 L)
Cutout:	Drop-in, 58-1/2" x 40-1/2" (1486 mm x 1029 mm)
Minimum flat for door:	3-1/4" (83 mm)

Notes

Measure your actual product for rough-in details. Install this product according to the installation instructions.

The hot water supply should be 70% of the capacity of the bath or greater. Installations will vary.

If installing a rim-mount faucet, make sure there is no interference above or below the deck before drilling any holes.