

**CAUTION – RISK OF SHOCK –**

Disconnect Power at the main circuit breaker panel or main fuse box before starting and during the installation.

**INSTRUCTIONS**

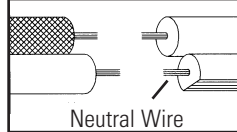
For Assembling and Installing Fixtures in Canada  
Pour L'assemblage et L'installation Au Canada

**ILLUSTRATION A**

- 1) At the center of the backpan is a hole, insert plastic bushing.
- 2) At the center of the backpan are knockout slots. Remove the set that matches your outlet box.
- 3) Slip wires from sockets through plastic bushing
- 4) Make wire connections. Reference chart below for correct connections and wire accordingly.

Connect Black or Red Supply Wire to:	Connect White Supply Wire to:
Black	White
*Parallel cord (round & smooth)	*Parallel cord (square & ridged)
Clear, Brown, Gold or Black without tracer	Clear, Brown, Gold or Black with tracer
Insulated wire (other than green) with copper conductor	Insulated wire (other than green) with silver conductor

\*Note: When parallel wires (SPT I & SPT II) are used. The neutral wire is square shaped or ridged and the other wire will be round in shape or smooth (see illus.)



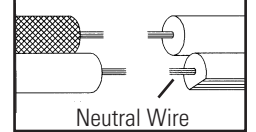
- 5) Secure the backpan to the outlet box.
- 6) Anchor the backpan to the wall using the set of holes at each end with wood screws, toggle bolts, plastic anchors, etc.
- 7) Slip faceplate over sockets and backpan. NOTE: be certain wire do not get pinched between backpan and faceplate.
- 8) Push and twist socket cups onto sockets.
- 9) It is advisable to periodically check security of socket cups, especially after cleaning.

**ILLUSTRATION B**

- 1) At the center of the backpan is a hole, remove the 7/8" diameter knockout and one of the slotted knockouts opposite the 7/8" diameter knock out.
- 2) Run wire from Romex®/conduit through 7/8" diameter hole and secure in place with locknut.
- 3) Anchor the backpan to the wall using the set of holes at each end with wood screws, toggle bolts, plastic anchors, etc.
- 4) Make wire connections. Reference chart below for correct connections and wire accordingly.

Connect Black or Red Supply Wire to:	Connect White Supply Wire to:
Black	White
*Parallel cord (round & smooth)	*Parallel cord (square & ridged)
Clear, Brown, Gold or Black without tracer	Clear, Brown, Gold or Black with tracer
Insulated wire (other than green) with copper conductor	Insulated wire (other than green) with silver conductor

\*Note: When parallel wires (SPT I & SPT II) are used. The neutral wire is square shaped or ridged and the other wire will be round in shape or smooth (see illus.)



- 5) Slip faceplate over sockets and backpan. NOTE: Be certain wire do not get pinched between backpan and faceplate.
- 6) Carefully center mirror panel over two sockets then push and twist socket cups onto sockets to secure in place. Repeat for each panel.
- 7) If mirror panels do not stay aligned, disassemble socket cups and mirror panels and affix double face tape above and below each large hole in faceplate then re-assemble. Fixture is supplied with double face tape for permanent mounting of mirror panels. It is suggested that tape only be used if mirror panels do not stay aligned. NOTE: IF USING TAPE, DO NOT USE ON END MIRROR PANELS UNTIL FIXTURE FACE DOES NOT HAVE TO BE REMOVED. FOR ANY REASON, SUCH AS FOR ELECTRICAL INSPECTION.
- 8) Insert recommended lamps and turn on power.
- 9) It is advisable to periodically check security of socket cups, especially after cleaning.

DESIGN OF  
FACEPLATE MAY  
VARY DEPENDING  
UPON THE STYLE  
YOU'VE CHOSEN.

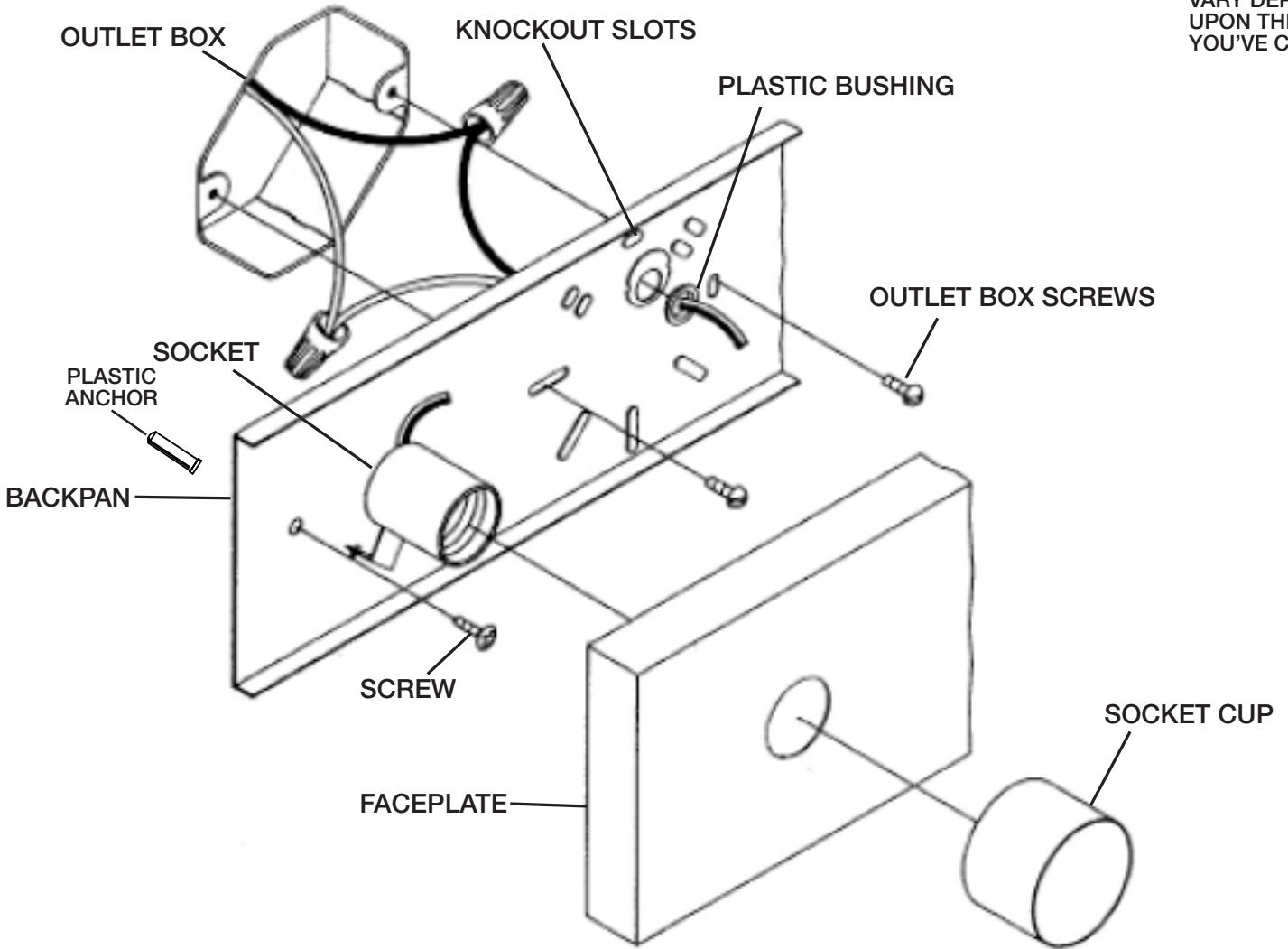


ILLUSTRATION B

DESIGN OF  
FACEPLATE MAY  
VARY DEPENDING  
UPON THE STYLE  
YOU'VE CHOSEN.

