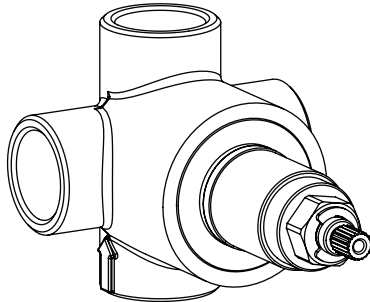




TVH.4371 | 3/4" 3-Way Diverter With Shut-Off



SPECIFICATIONS:

- Turn Handle for water diversion.
- Valve Flow Rate - 13.0 GPM @ 60 PSI

STANDARDS:

- ASME A112.18.1 / CSA B125.1

! A separate volume control is **not** needed to turn water supply off. Volume control functionality is integrated within this valve.

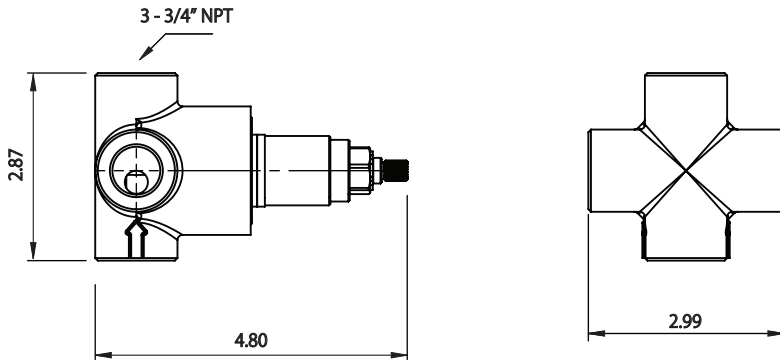
Legislation Compliance



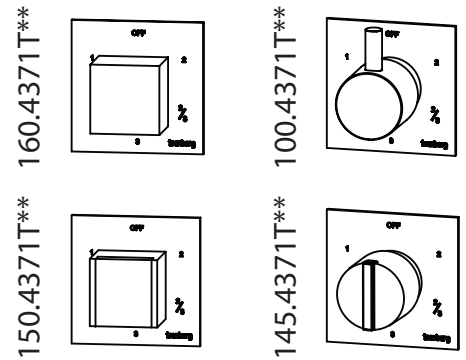
ZeroDrip Technology



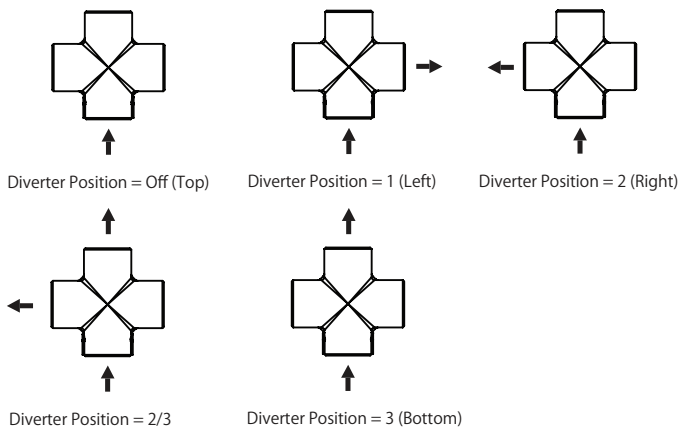
Technical Diagram



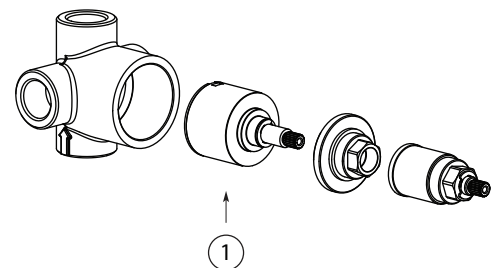
Trims



Water Flow Diagram



Explosion Diagram



Part Number Guide:

- ① Cartridge - TVH.4371-9853

Extension Kits

- ⓐ Diverter Handle Extension - TVH.E137