

S7880501, S7880502 - Free Standing Tub Filler Faucet

Description

- Free standing tub filler with handshower
- Ceramic disc cartridge
- 8.5 GPM @ 60 PSI
- Rotate diverter
- Square ABS handshower

Standards

- ASME A112.18.1 Compliant
- Listed IAPMO / UPC & CUPC
- ADA Accessibility Guidelines for Buildings and Facilities - 4.27.4 Controls and Mechanisms



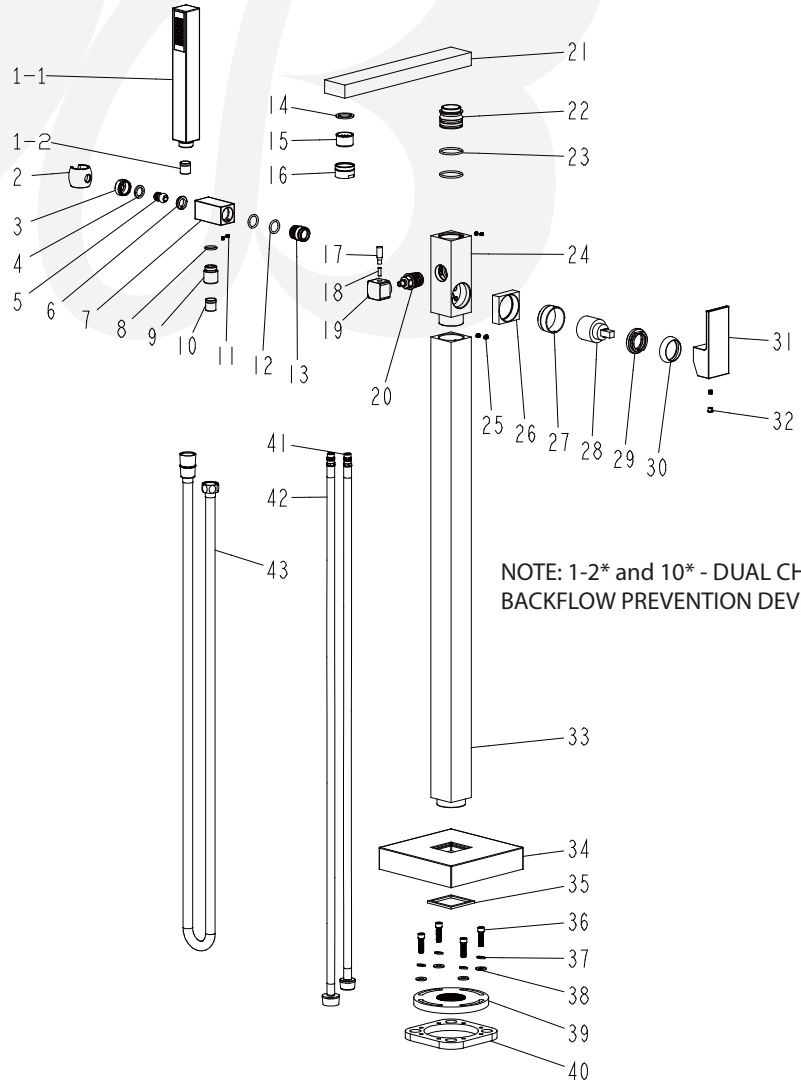
Colors / Finishes

- S7880501 - Chrome
- S7880502 - PVD Satin Nickel



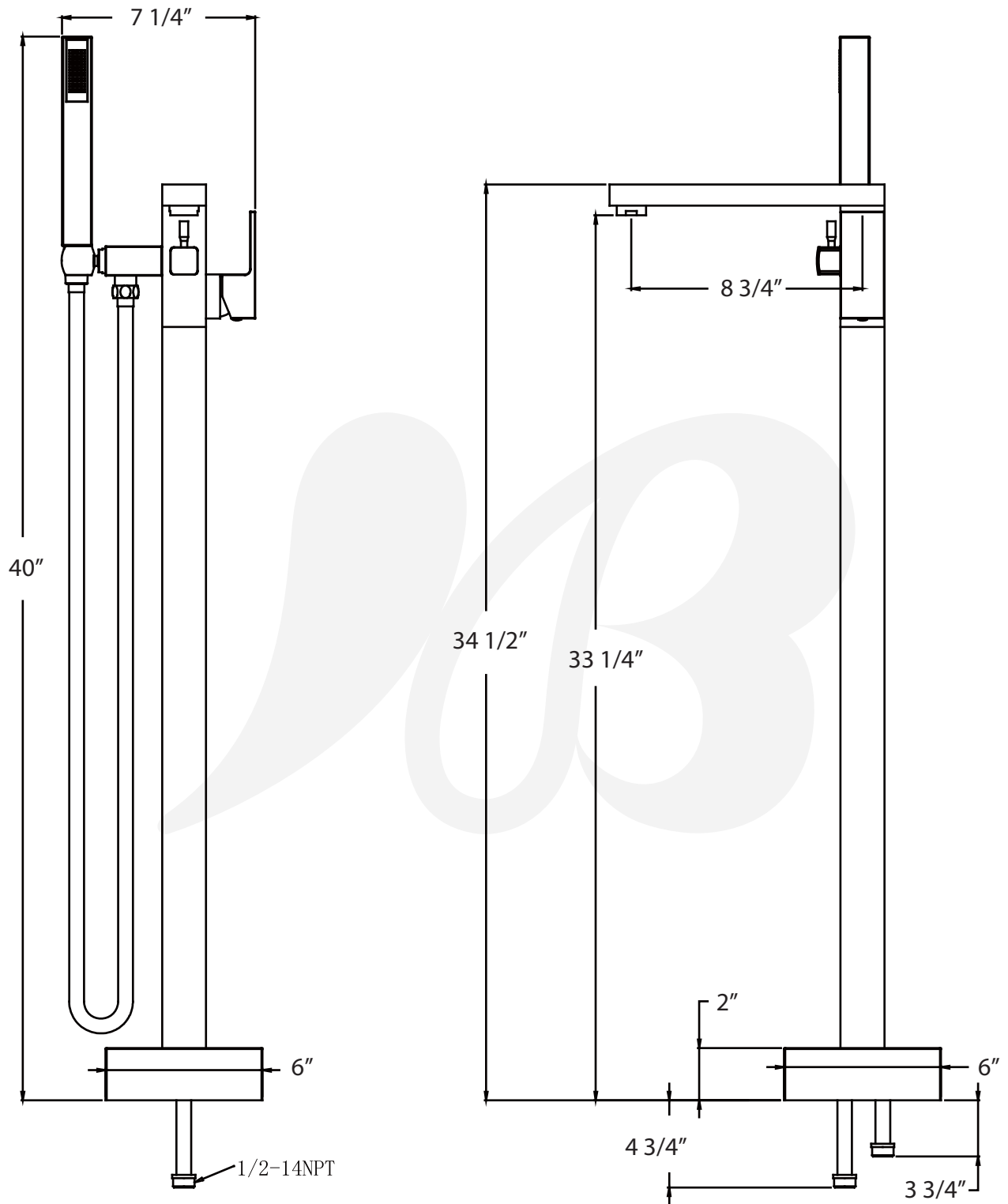
Component Parts List

#	PART NAME	QTY.
1-1	SHOWER	1
1-2*	CHECK VALVE	1
02	HOLDER	1
03	NUT	1
04	GASKET	1
05	ROD	1
06	GASKET	1
07	BASE	1
08	O-RING	1
09	CONNECTOR	1
10*	CHECK VALVE	1
11	SCREW	4
12	O-RING	2
13	CONNECTOR	1
14	WASHER	1
15	FLOW REGULATOR	1
16	HOUSING	1
17	LEVER	1
18	SCREW	1
19	HANDLE	1
20	DIVERTER	1
21	SPOUT	1
22	CONNECTOR	1
23	O-RING	2
24	BODY	1
25	SCREW	3
26	BUSHING	1
27	SLEEVE	1
28	CARTRIDGE	1
29	RETAINER	1
30	COVER	1
31	HANDLE	1
32	CAP	1
33	PIPE	1
34	ESCUTCHEON	1
35	SEAL	1
36	SCREW	4
37	GASKET	4
38	WASHER	4
39	BASE SEAT	1
40	BASE	1
41	HOSE	1
42	HOSE	1
43	SHOWER HOSE	1



NOTE: 1-2* and 10* - DUAL CHECK VALVES - BACKFLOW PREVENTION DEVICES

SPECIFIED MODEL



Item Number	Type	Date
S7880501, S7880502	Tub Filler	03/25/2016