

BATHROOM
M.E./M.E. 25 Floor-Mounted
Exposed Tub Filler
G-1752-LM3F

GRAFF®



Information

- Floor-mount installation
- Aerated Flow Rate ~9 gpm @45 psi
- Handshower flow rate ≤ 1.5 max gpm
- 8-11/16" spout reach
- 40-3/8-43-1/2" total height
- Includes handshower with 59" spiral flexible hose
- Optional in-line pressure balancing valve



Product Features

- Floor-mount installation
- Aerated flow rate ~9 gpm @45 psi
- Handshower flow rate ≤1.5 max gpm
- 8-11/16" spout reach
- 40-3/8"-43-1/2" total height
- Includes handshower with 59" spiral flexible hose (PVD finishes use 59" flex hose)
- Optional in-line pressure balancing valve

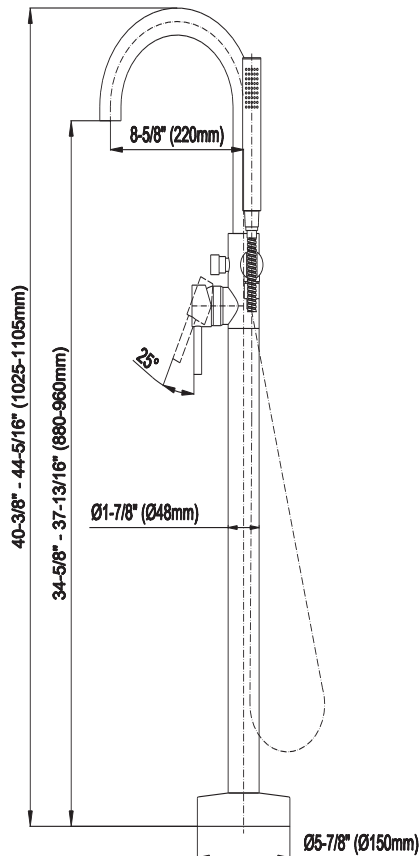
Available Finishes

- Polished Chrome
G-1752-LM3F-PC
- Polished Nickel
G-1752-LM3F-PN
- Unfinished Brass*
G-1752-LM3F-UB*
- Unfinished Brushed Brass*
G-1752-LM3F-UBB*
- Matte Black*
G-1752-LM3F-MBK*
- Architectural Black*
G-1752-LM3F-BK*
- Architectural White*
G-1752-LM3F-WT*
- Satin Nickel
G-1752-LM3F-SN
- Olive Bronze*
G-1752-LM3F-OB*
- Gunmetal*
G-1752-LM3F-GM*
- OR'osa PVD*
G-1752-LM3F-RG*
- Onyx PVD*
G-1752-LM3F-OX*
- Polished Brass PVD*
G-1752-LM3F-PB*
- Brushed Brass PVD*
G-1752-LM3F-BB*
- Gold*
G-1752-LM3F-AU*
- Brushed Gold*
G-1752-LM3F-BAU*

Warranty

- Limited lifetime warranty

For complete warranty information go to
<https://www.graff-designs.com/en/info/faqs>



*special order finish - call for availability



Finishes



G-1045

Spout Connection Rough



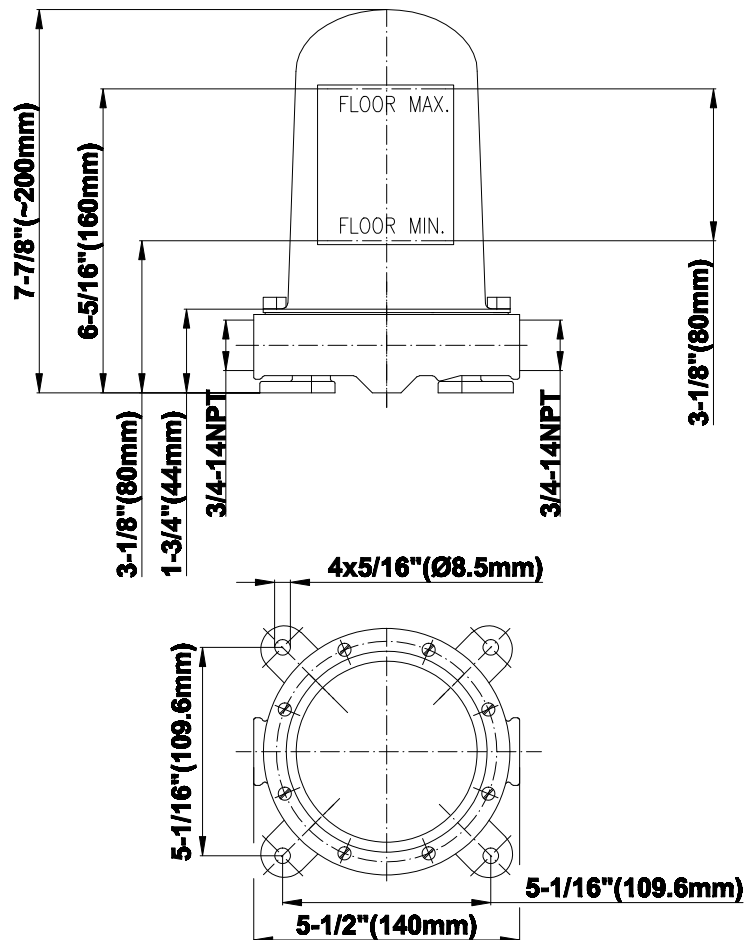
Product Features

- Mud guard displays minimum and maximum floor depth
- Rough can be installed in any orientation making it convenient to route pipes to the rough
- Trim can be rotated 360 degrees in any directions
- Averages 10 GPM with most trim

Warranty

- Limited lifetime warranty

For complete warranty information go to <http://www.graff-faucets.com/en/info/faqs>



The measurements shown are for reference only. Products and specifications shown are subject to change without notice. Revised 07/2017.

www.graff-faucets.com | phone: 800-954-4723

BATHROOM
 M.E./M.E. 25 Floor-Mounted
 Exposed Tub Filler
G-1752-LM3F



Information

- Floor-mount installation
- Aerated Flow Rate ~9 gpm @45 psi
- Handshower flow rate ≤1.5 max gpm
- 8-11/16" spout reach
- 40-3/8-43-1/2" total height
- Includes handshower with 59" spiral flexible hose
- Optional in-line pressure balancing valve

Finishes



Brushed Brass White



Product Features

- Floor-mount installation
- Aerated flow rate ~9 gpm @45 psi
- Handshower flow rate ≤1.5 max gpm
- 8-11/16" spout reach
- 40-3/8"-43-1/2" total height
- Includes handshower with 59" spiral flexible hose (PVD finishes use 59" flex hose)
- Optional in-line pressure balancing valve

Warranty

- Limited lifetime warranty

For complete warranty information go to <https://www.graff-designs.com/en/info/faqs>

Available Finishes

- Polished Chrome
G-1752-LM3F-PC
- Polished Nickel
G-1752-LM3F-PN
- Unfinished Brass*
G-1752-LM3F-UB*
- Unfinished Brushed Brass*
G-1752-LM3F-UBB*
- Matte Black*
G-1752-LM3F-MBK*
- Architectural Black*
G-1752-LM3F-BK*
- Architectural White*
G-1752-LM3F-WT*
- Satin Nickel
G-1752-LM3F-SN
- Olive Bronze*
G-1752-LM3F-OB*
- Gunmetal*
G-1752-LM3F-GM*
- OR'osa PVD*
G-1752-LM3F-RG*
- Onyx PVD*
G-1752-LM3F-OX*
- Polished Brass PVD*
G-1752-LM3F-PB*
- Brushed Brass PVD*
G-1752-LM3F-BB*
- Gold*
G-1752-LM3F-AU*
- Brushed Gold*
G-1752-LM3F-BAU*

*special order finish - call for availability

