

SHOWER
M-Series Full Thermostatic
Shower System with LED
GM3.124SE-LM40E0

GRAFF®

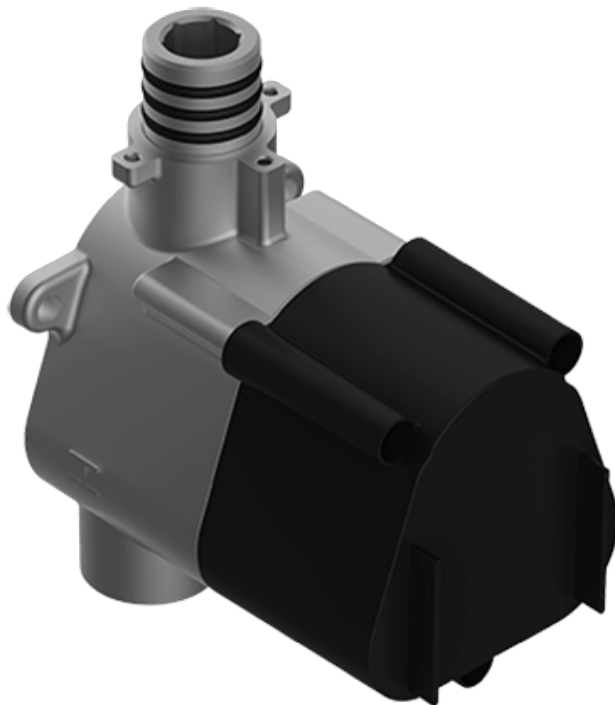


Information

- 3/4" thermostatic valve and trim
- 3/4" 2-way diverter valve and trim (2 pieces)
- G-8201 dual-function, stainless steel showerhead, with rainfall and cascade settings, features 134 no-clog, easy-clean spray nozzles
- Single LED light with 6 color variations
- Flush-mounted swivel body sprays (3 pieces)
- Handshower set with wall bracket and 59" hose
- Optional extension kit
- Flow rates: rainfall ≤ 2.0 max gpm, cascade ≤ 2.0 max gpm, handshower ≤ 1.5 max gpm, body sprays ≤ 1.5 max gpm each
- ADA

SHOWER
Thermostatic Rough Valve
G-8006

GRAFF®



Information

- 12.9 gpm @ 60 psi
- 3/4" universal inlets
- Built-in service stops
- Stacking outlet feature
- Complete serviceability from front of all units
- Supplied with protective plastic cover
- CalGreen compliant dependent on functions

Finishes



Polished
Chrome

G-8006

M-Series

3/4" Concealed Thermostatic Rough Valve



Product Features

- 12.9 gpm @ 60 psi
- 3/4" universal inlets
- Built-in service stops
- Stacking outlet feature
- Complete serviceability from front of all units
- Supplied with protective plastic cover
- CalGreen compliant dependent on functions

Code Compliance

- CALGreen

Warranty

- Limited lifetime warranty

For complete warranty information go to www.graff-faucets.com/en/info/faqs



The measurements shown are for reference only. Products and specifications shown are subject to change without notice. Revised 3/2016.

www.graff-faucets.com | phone: 800-954-4723

SHOWER
Immersion M-Series Thermostatic
Valve Trim with Handle
G-8043-LM40E-T

GRAFF[®]



Information

- Single metal handle and decorative trim plate
- Use with G-8006 thermostatic rough valve
- ADA

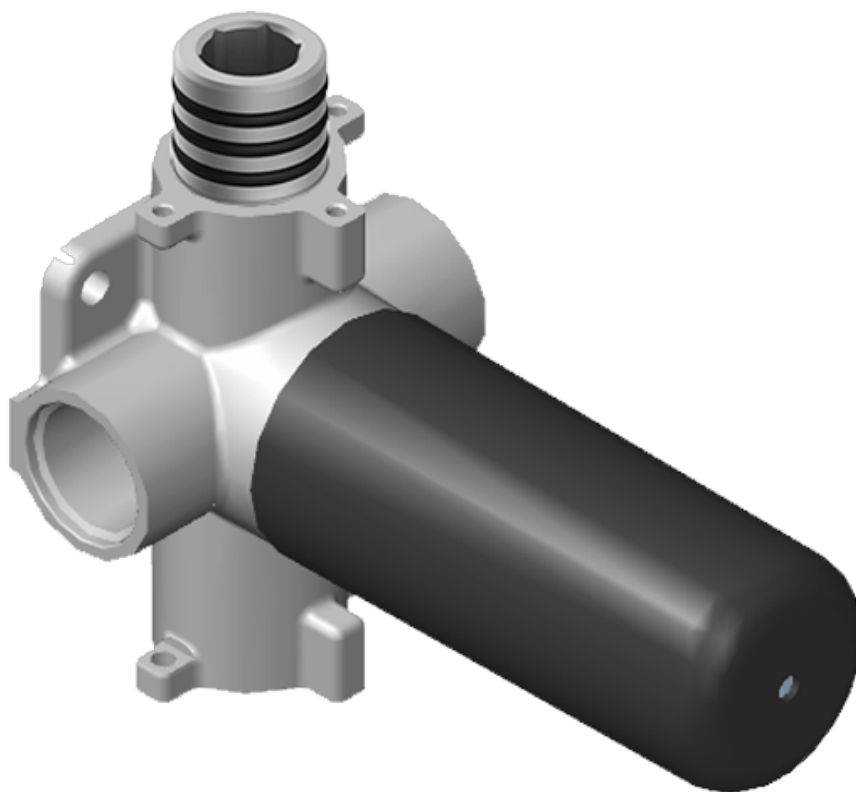
Finishes



Polished
Chrome

SHOWER
Two-Way Diverter Volume Control
Valve WITH Off Function and Pass-
Through
G-8052

GRAFF®



Information

- 11.7 gpm @ 60 psi
- 3/4" universal inlets/outlets with female threads
- Operates one function at a time
- Stacking inlet and pass-through port feature
- Supplied with protective plastic cover
- CALGreen compliant depending on functions

Finishes



Polished
Chrome

SHOWER
Immersion M-Series 2-Way
Diverter Valve Trim with Handle
G-8071-LM40E1-T

GRAFF[®]



Information

- Single metal handle and decorative trim plate
- Use with G-8052 2-Way Diverter Volume Control Valve WITH Off Function and Pass-Through
- ADA

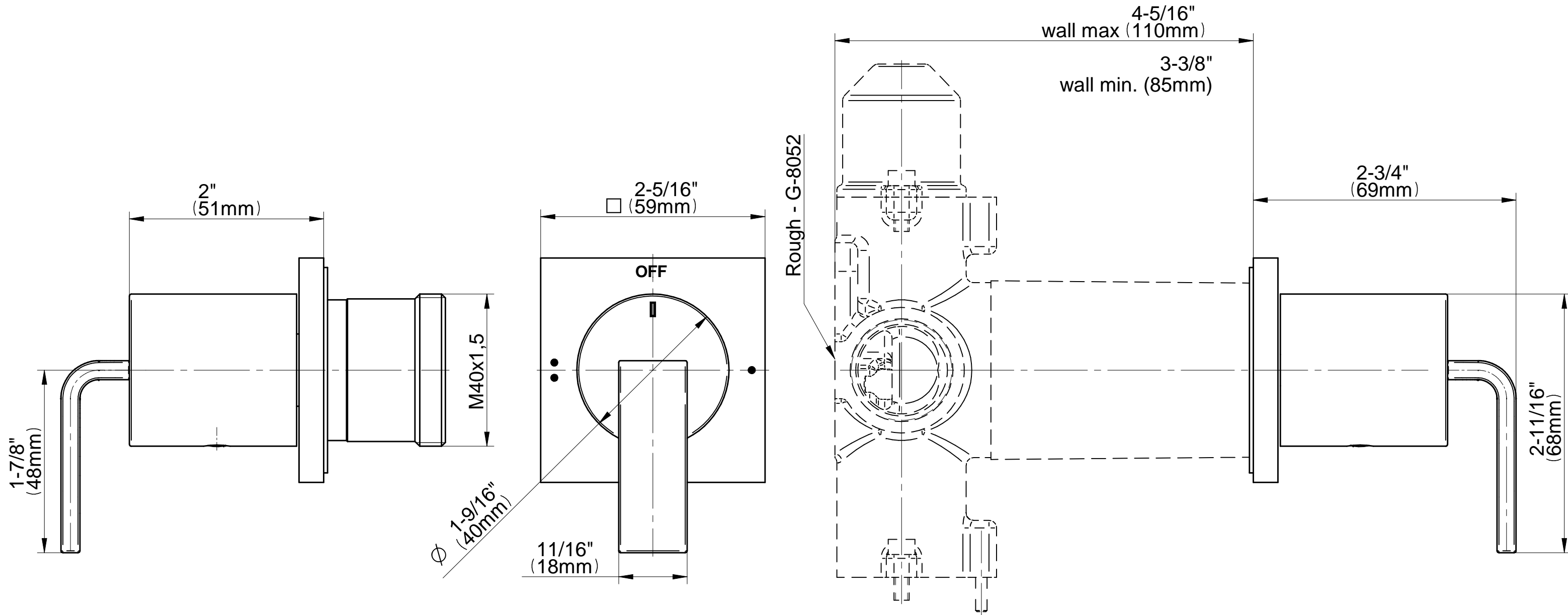
Finishes



Polished
Chrome

G-8071-LM40E1-T

IMMERSION Series



SHOWER
Square Flush Mount Body Spray
w/ Solid Brass Swivel Head
G-8497

GRAFF[®]



Information

- 12 no-clog, easy-clean silicon jets
- Metal ball-joint allows for 18° angle adjustment of body spray
- Brass wall escutcheon and flush-mounted trim
- 1/2" NPT female thread inlet
- Body spray flow rate \leq 1.5 max gpm

Finishes



Polished
Chrome

G-8497

Shower Components

Contemporary Flush-Mount Body Spray with Solid Brass Swivel Head



Product Features

- 12 no-clog, easy-clean silicone jets
- Metal ball-joint allows for 18° angle adjustment of body spray
- Brass wall escutcheon and Flush-mounted trim
- 1/2" NPT female thread inlet
- Body spray flow rate ≤ 1.5 max gpm

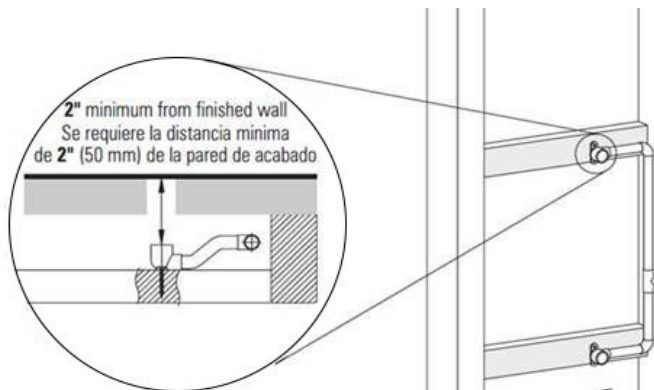
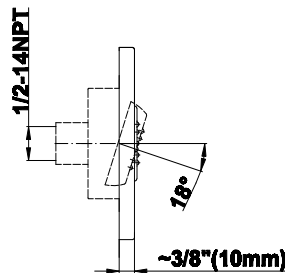
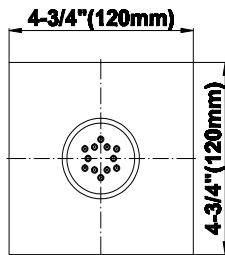
Warranty

- Limited lifetime warranty

For complete warranty information go to www.graff-designs.com/en-nam/warranty

Available Finishes

- Polished Chrome
G-8497-PC
- Polished Nickel
G-8497-PN
- Brushed Nickel
G-8497-BNi
- Matte Black*
G-8497-MBK*
- Architectural Black*
G-8497-BK*
- Architectural White*
G-8497-WT*
- Olive Brass
G-8497-OB
- Gunmetal*
G-8497-GM*
- Steelnox
G-8497-SN
- OR'osa PVD*
G-8497-RG*
- Onyx PVD*
G-8497-OX*
- Polished Brass PVD*
G-8497-PB*
- Brushed Brass PVD*
G-8497-BB*
- Brushed Gold*
G-8497-BAU*
- Gold*
G-8497-AU*
- Gunmetal Distressed*
G-8497-GMD*



SHOWER
59" Shower Hose
G-8605

GRAFF[®]



Information

- Brass spiral flexible hose with conical nut

Finishes



Polished
Chrome



Product Features

- Brass spiral flexible hose with conical nut

Warranty

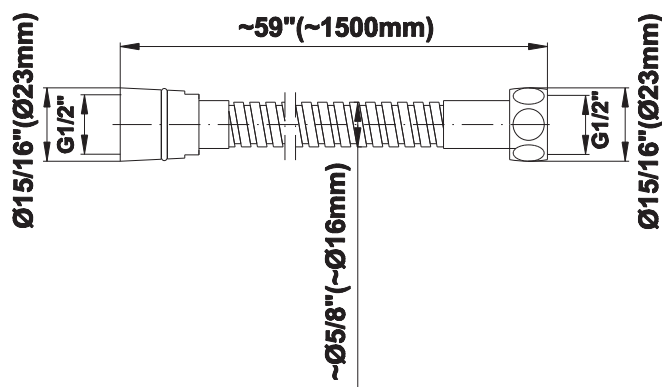
- Limited lifetime warranty

For complete warranty information go to www.graff-designs.com/en-nam/warranty

Available Finishes

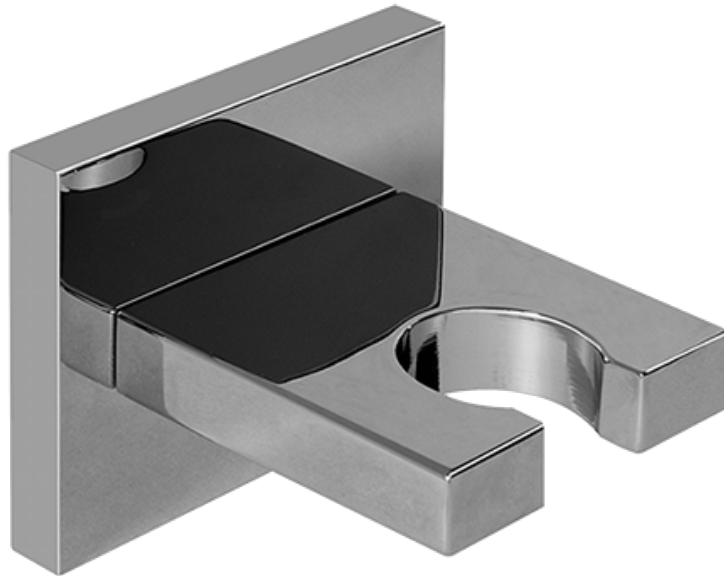
- Polished Chrome
G-8605-PC
- Polished Nickel
G-8605-PN
- Brushed Nickel
G-8605-BNi
- Unfinished Brushed Brass*
G-8605-UBB*
- Unfinished Brass*
G-8605-UB*
- Matte Black*
G-8605-MBK*
- Architectural Black*
G-8605-BK*
- Architectural White*
G-8605-WT*
- Olive Brass*
G-8605-OB*
- Gunmetal*
G-8605-GM*
- Vintage Brushed Brass*
G-8605-VBB*
- Steelnox (Satin Nickel)
G-8605-SN
- 24K Brushed Gold*
G-8605-BAU*
- 24K Gold*
G-8605-AU*
- Gunmetal Distressed*
G-8605-GMD*

* Special order finish- call for availability



SHOWER
Contemporary Square Wall
Bracket for Handshower
G-8632

GRAFF[®]



Information

- Solid brass construction

Finishes



Polished
Chrome

G-8632

Contemporary Square Wall Bracket for Handshower



Product Features

- Solid brass construction

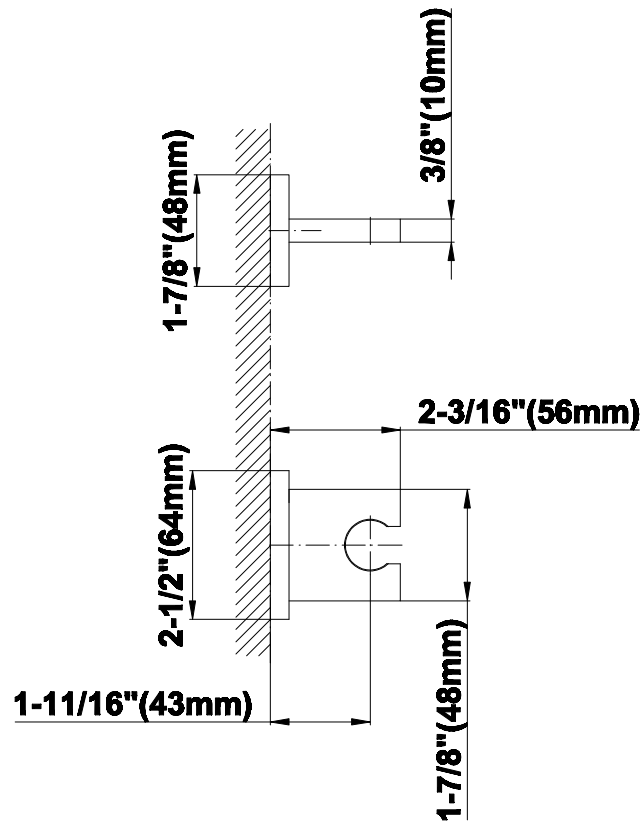
Available Finishes

- Polished Chrome
G-8632-PC
- Steelnox[®]
G-8632-SN

Warranty

- Limited lifetime warranty

For complete warranty information go to
<http://www.graff-faucets.com/en/info/faqs>



The measurements shown are for reference only. Products and specifications shown are subject to change without notice. Revised 02/2017.

www.graff-faucets.com | phone: 800-954-4723

SHOWER
Contemporary Square Wall Supply
Elbow
G-8633

GRAFF®



Information

- 1/2" NPT female thread inlet

Finishes



Polished
Chrome

G-8633

Contemporary Square Wall Supply Elbow



Product Features

- 1/2" NPT female thread inlet

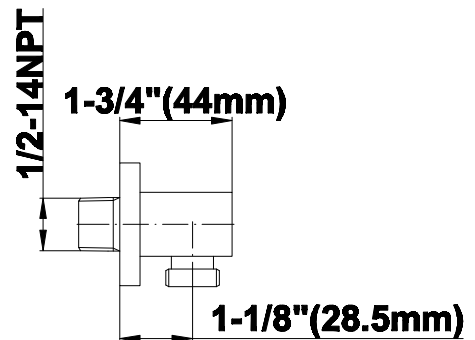
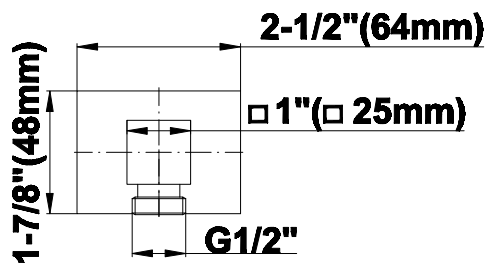
Available Finishes

- Polished Chrome
G-8633-PC
- Steelnox[®]
G-8633-SN
- Architectural Black w/Chrome
Accents
G-8633-PC/BK

Warranty

- Limited lifetime warranty

For complete warranty information go to
<http://www.graff-faucets.com/en/info/faqs>



SHOWER
Contemporary Rectangle
Handshower
G-8654

GRAFF®



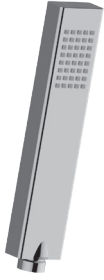
Information

- Smooth, all-metal handle
- Shower hose not included
- Handshower flow rate ≤ 1.5 max gpm
- Includes internal backflow preventer
- CALGreen

Finishes



Polished
Chrome



Product Features

- Smooth, all-metal handle
- Shower hose not included
- Includes internal backflow preventer
- Handshower flow rate ≤ 1.5 max gpm

Warranty

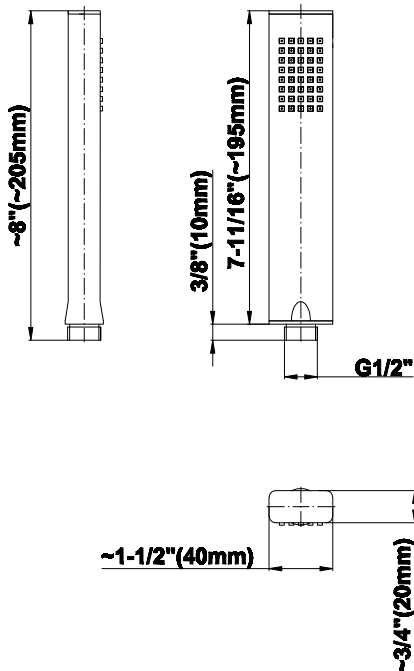
- Limited lifetime warranty

For complete warranty information go to
<https://www.graff-designs.com/en/info/faqs>

Available Finishes

- Polished Chrome
G-8654-PC
- Polished Nickel
G-8654-PN
- Brushed Nickel
G-8654-BNi
- Matte Black*
G-8654-MBK*
- Architectural Black*
G-8654-BK*
- Architectural White*
G-8654-WT*
- Steelnox (Satin Nickel)
G-8654-SN
- Olive Bronze*
G-8654-OB*
- Gunmetal*
G-8654-GM*
- OR'osa PVD*
G-8654-RG*
- Brushed OR'osa PVD*
G-8654-BRG*
- Onyx PVD*
G-8654-OX*
- Brushed Onyx PVD*
G-8654-BOX*
- 24K Brushed Gold*
G-8654-BAU*
- 24K Gold*
G-8654-AU*

* Special order finish- call for availability



SHOWER
Soap Dish Holder
G-9201

GRAFF®

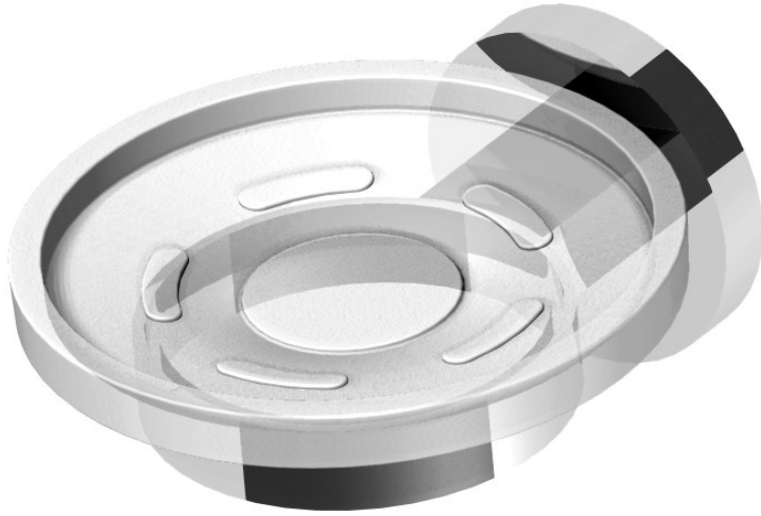


Finishes



Polished
Chrome

G-9201
Sento Collection
Soap Dish & Holder



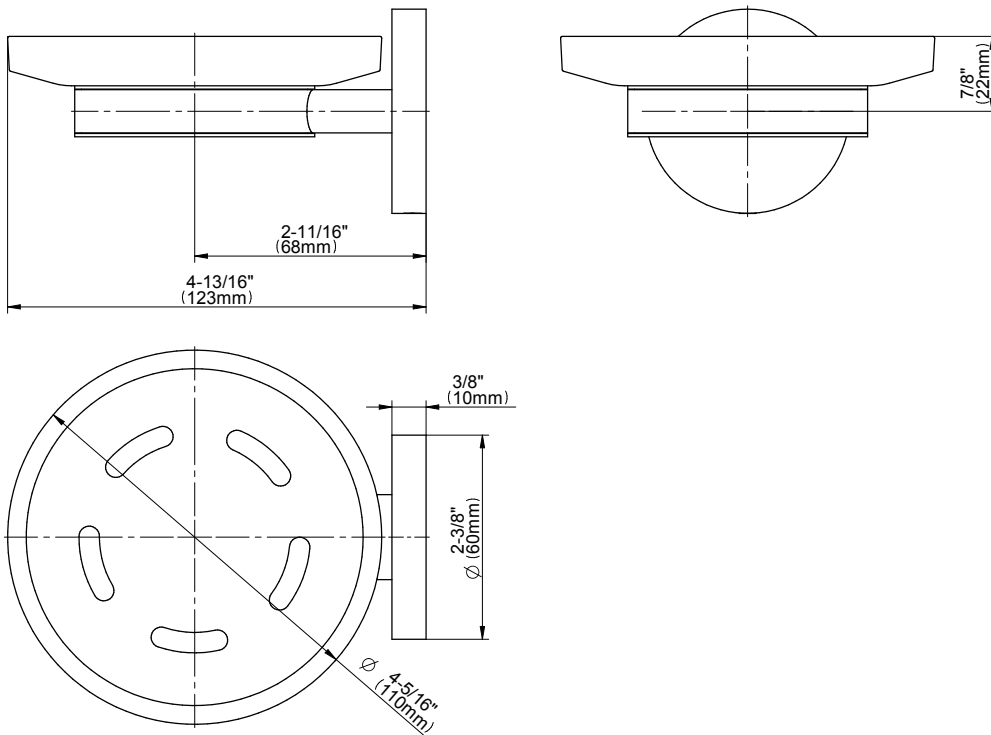
Available Finishes

- Polished Chrome G-9201-PC
- Steelnox[®] G-9201-SN
- Olive Bronze G-9201-OB
- Polished Nickel G-9201-PN
- Architectural Black G-9201-BK
- Architectural White G-9201-WT

Warranty

- Limited lifetime warranty

For complete warranty information go to www.graff-faucets.com/en-nam/warranty



The measurements shown are for reference only. Products and specifications shown are subject to change without notice. Revised 10/2012.

www.graff-faucets.com | phone: 800-954-4723